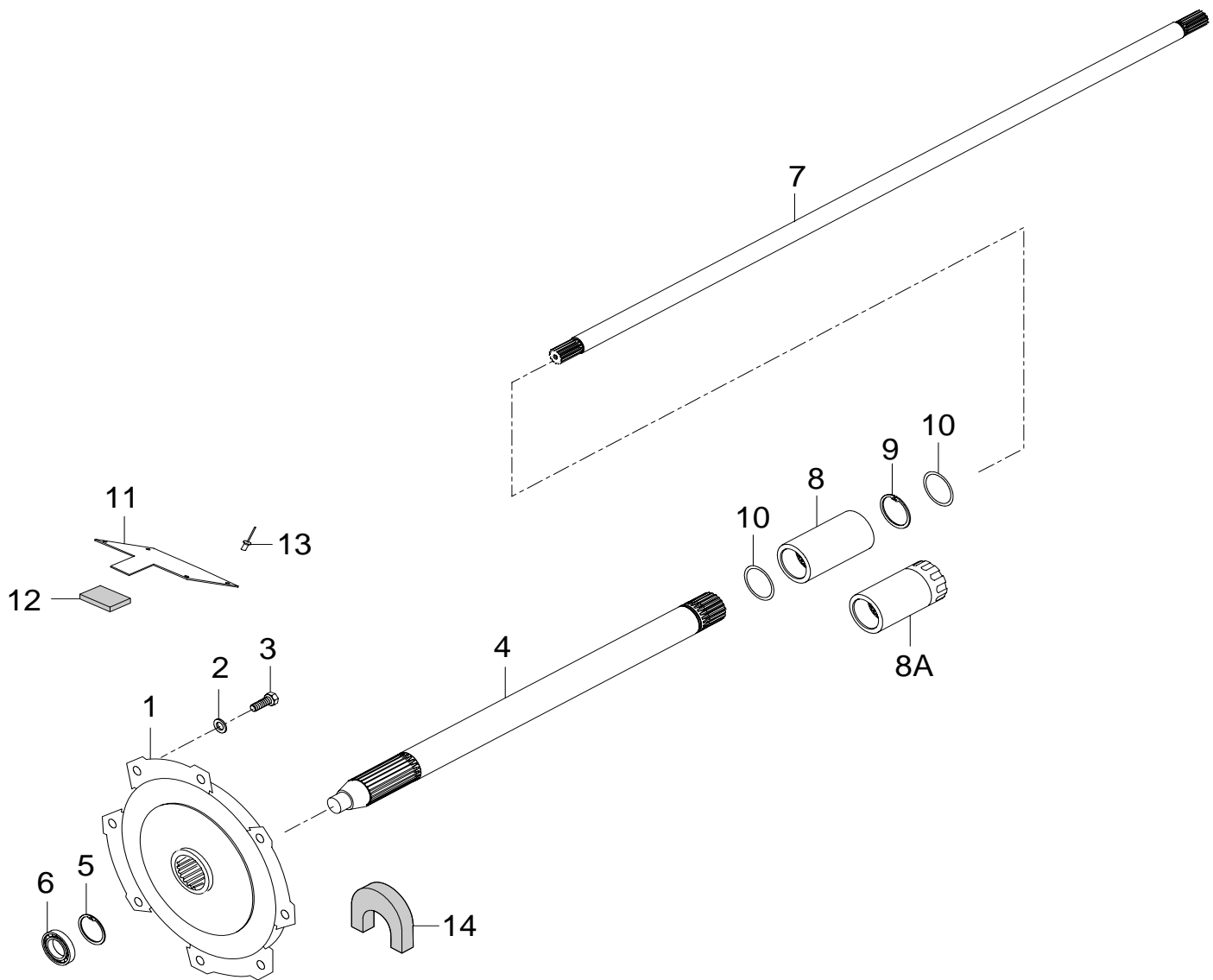
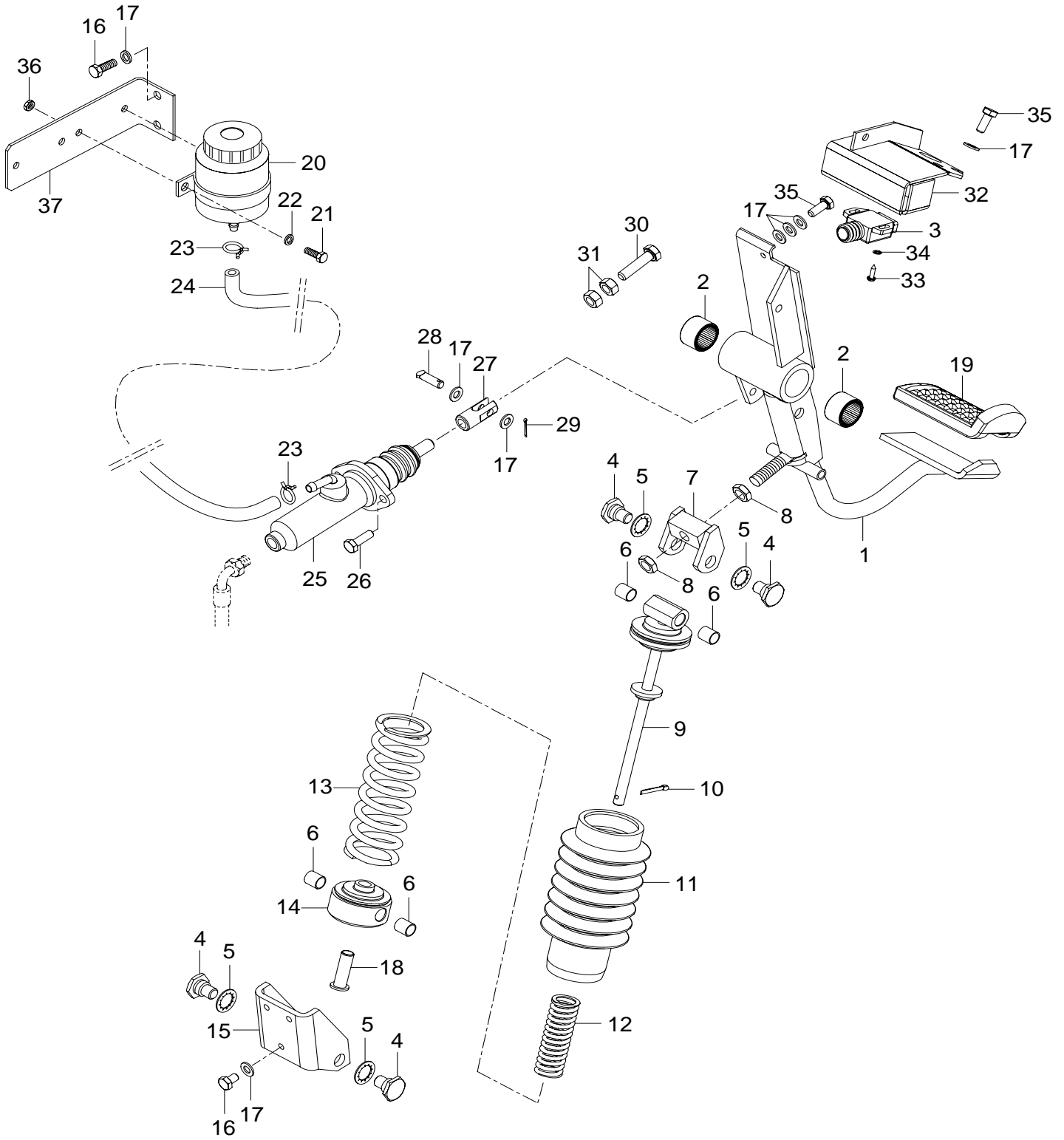
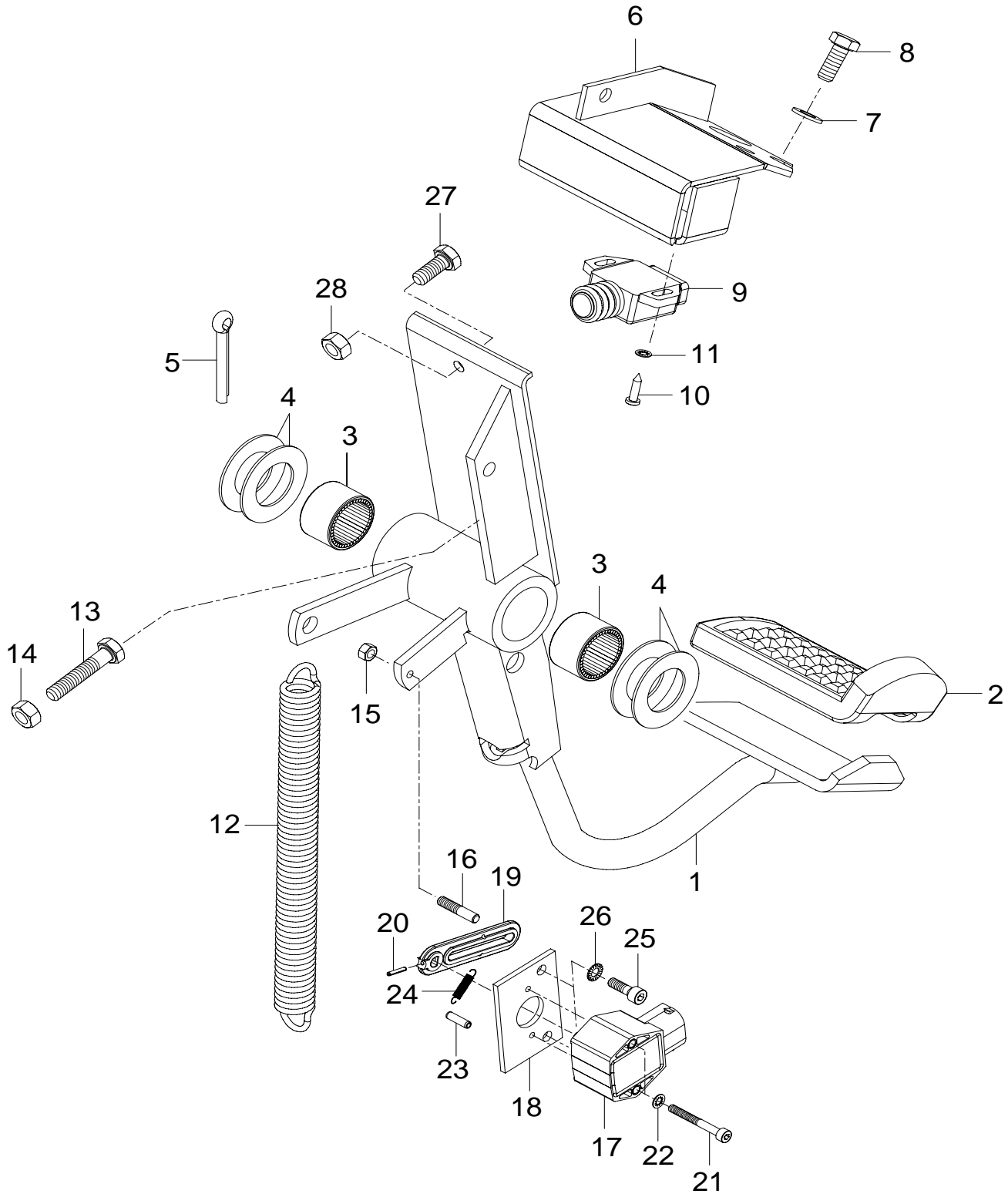


1.6.2007

T121h, T131h, T151eh, T151eLS,
T161h, T161LS, T171h, T171LS,
T191h, T191LS





VAIHEISTON
KOTELO JA
SIIRTÄJÄT

VÄXELLÅDSHUS OCH GEARBOX HOUSING
AND SHIFT LEVER

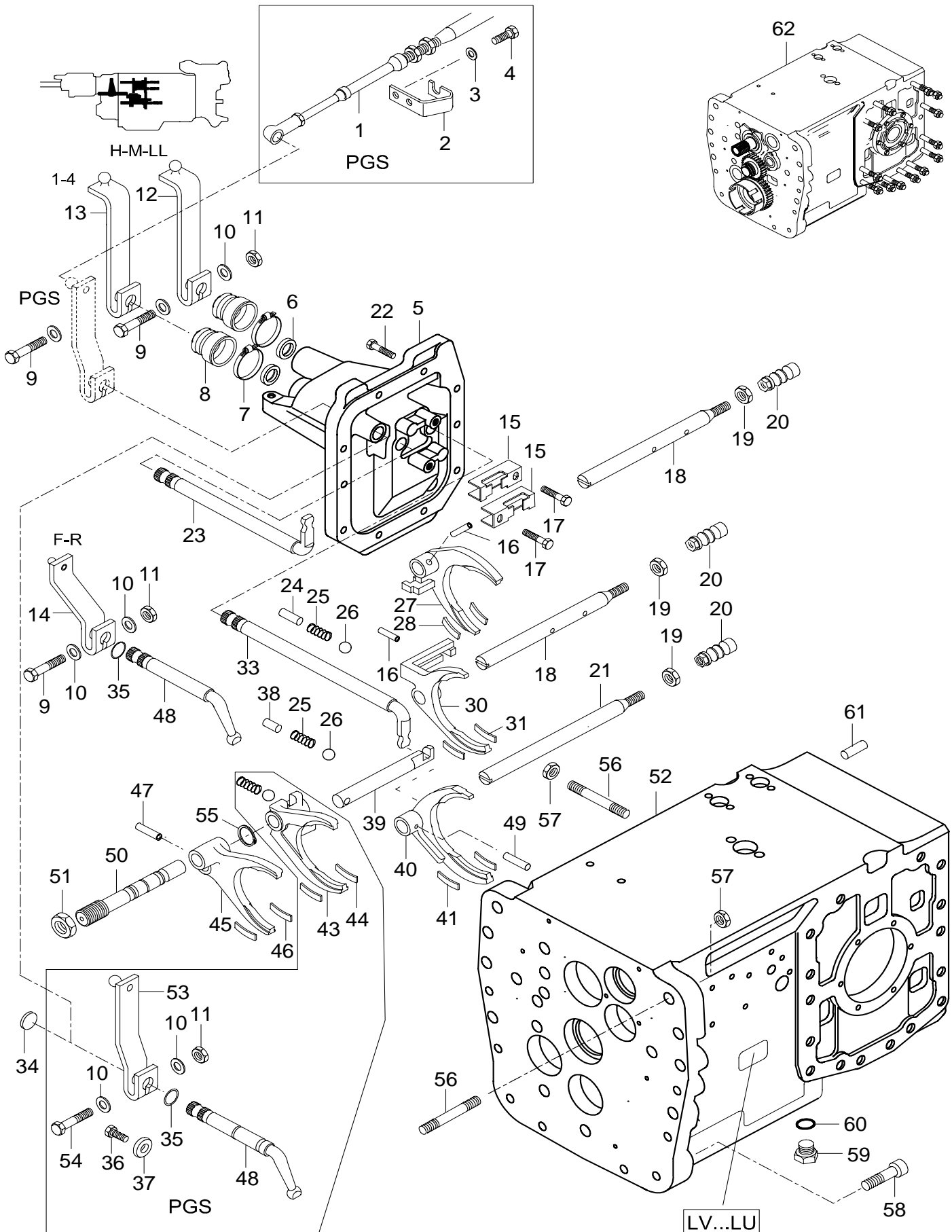
GETRIEBEGEHÄUSE
UND SCHALTGABEL

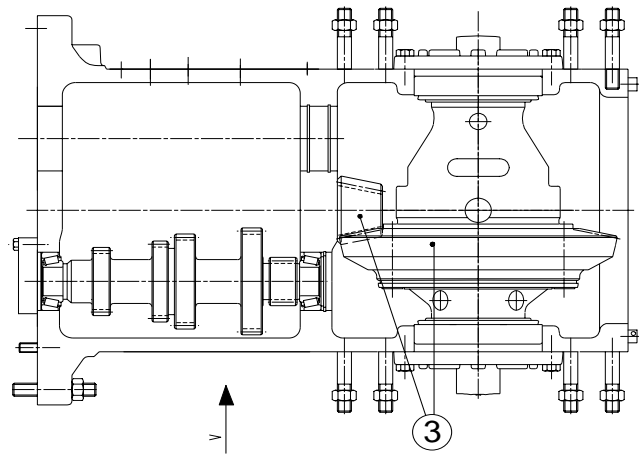
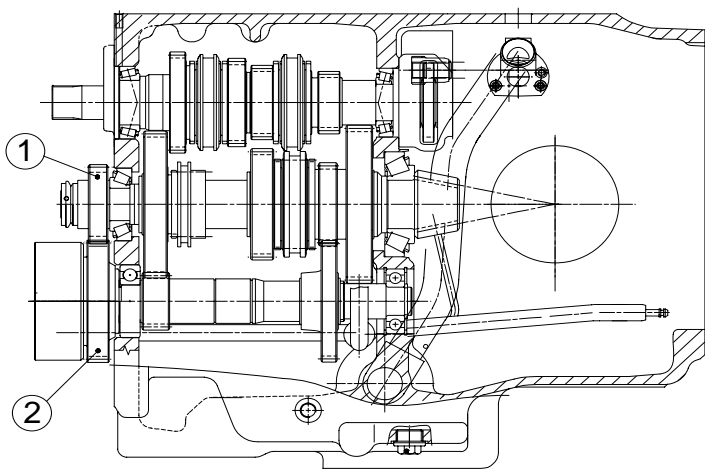
SCARTER DE LA
BOITE DE VITESSES
ET LEVIERS DE
CHANG.

42-01

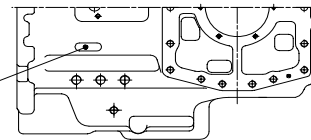
1.6.2007

T121c, T131c, T161c, T171c





ID LETTER
TUNNISTUSKIRJAIN



VIEW_V

VAIHEISTON
KOTELO JA
SIIRTÄJÄT

VÄXELLÅDSHUS OCH GEARBOX HOUSING
AND SHIFT LEVER

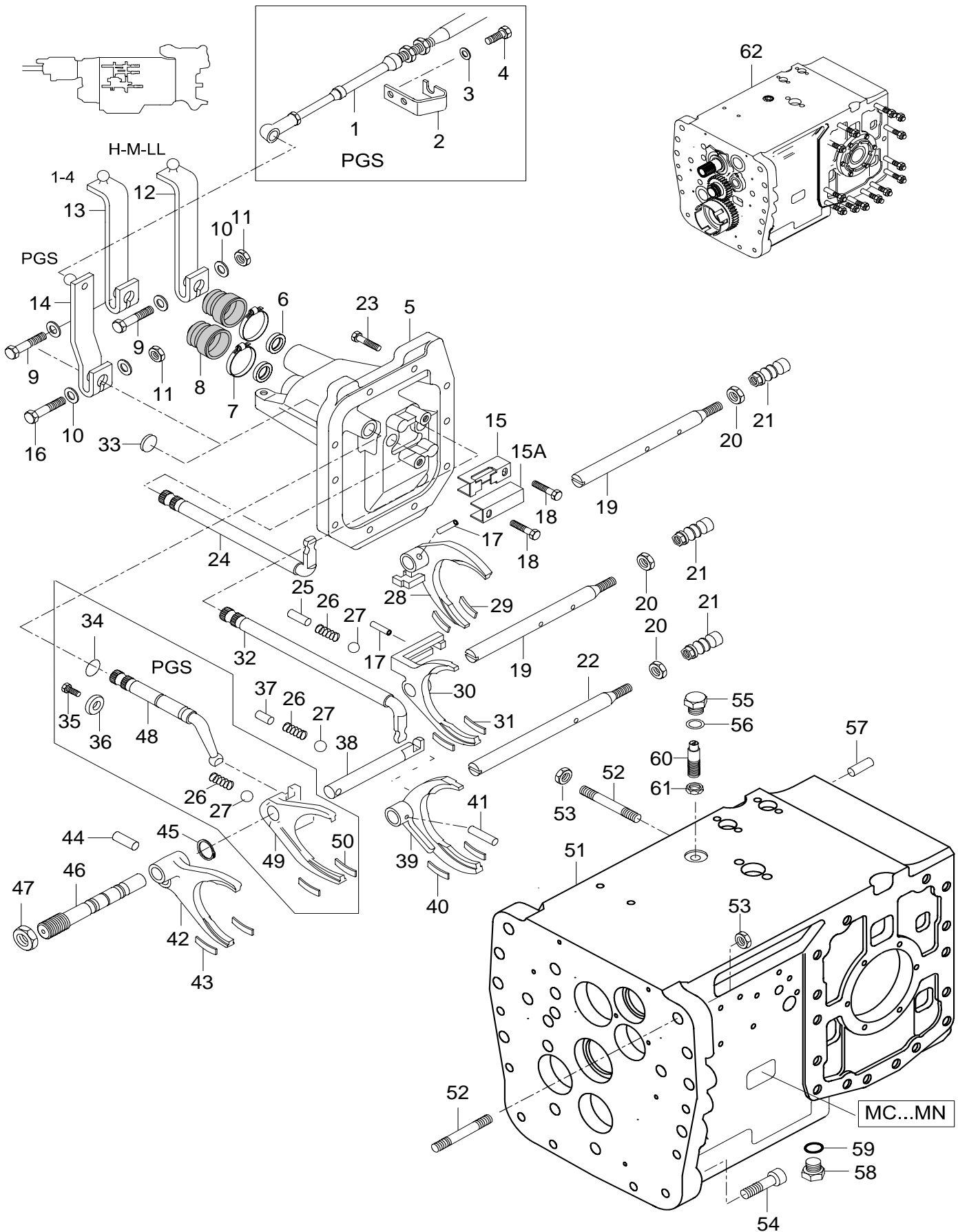
GETRIEBEGEHÄUSE
UND SCHALTGABEL

SCARTER DE LA
BOITE DE VITESSES
ET LEVIERS DE
CHANG.

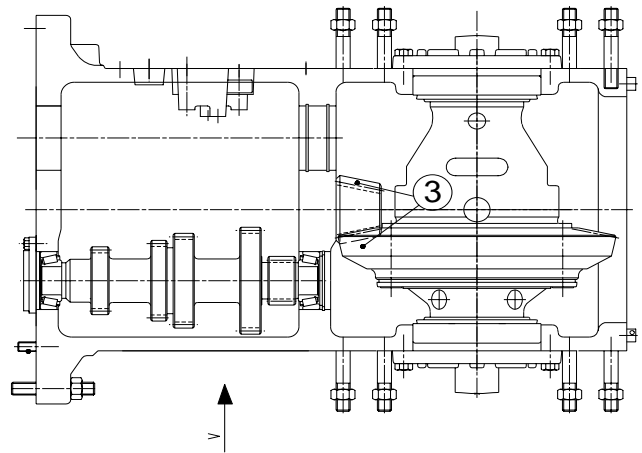
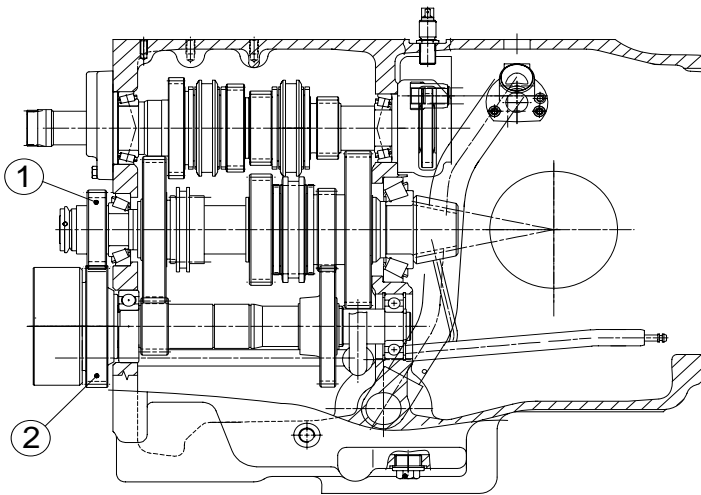
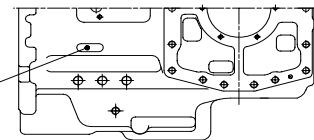
42-07

1.6.2007

T121h, T131h, T151eh, T161h,
T171h, T191h



1.6.2007

T121h, T131h, T151eh, T161h,
T171h, T191hID LETTER
TUNNISTUSKIRJAIN
NO DE IDENTIFICACAO

VIEW_V

VAIHEISTON
KOTELO JA
SIIRTÄJÄT

VÄXELLÅDSHUS OCH GEARBOX HOUSING
AND SHIFT LEVER

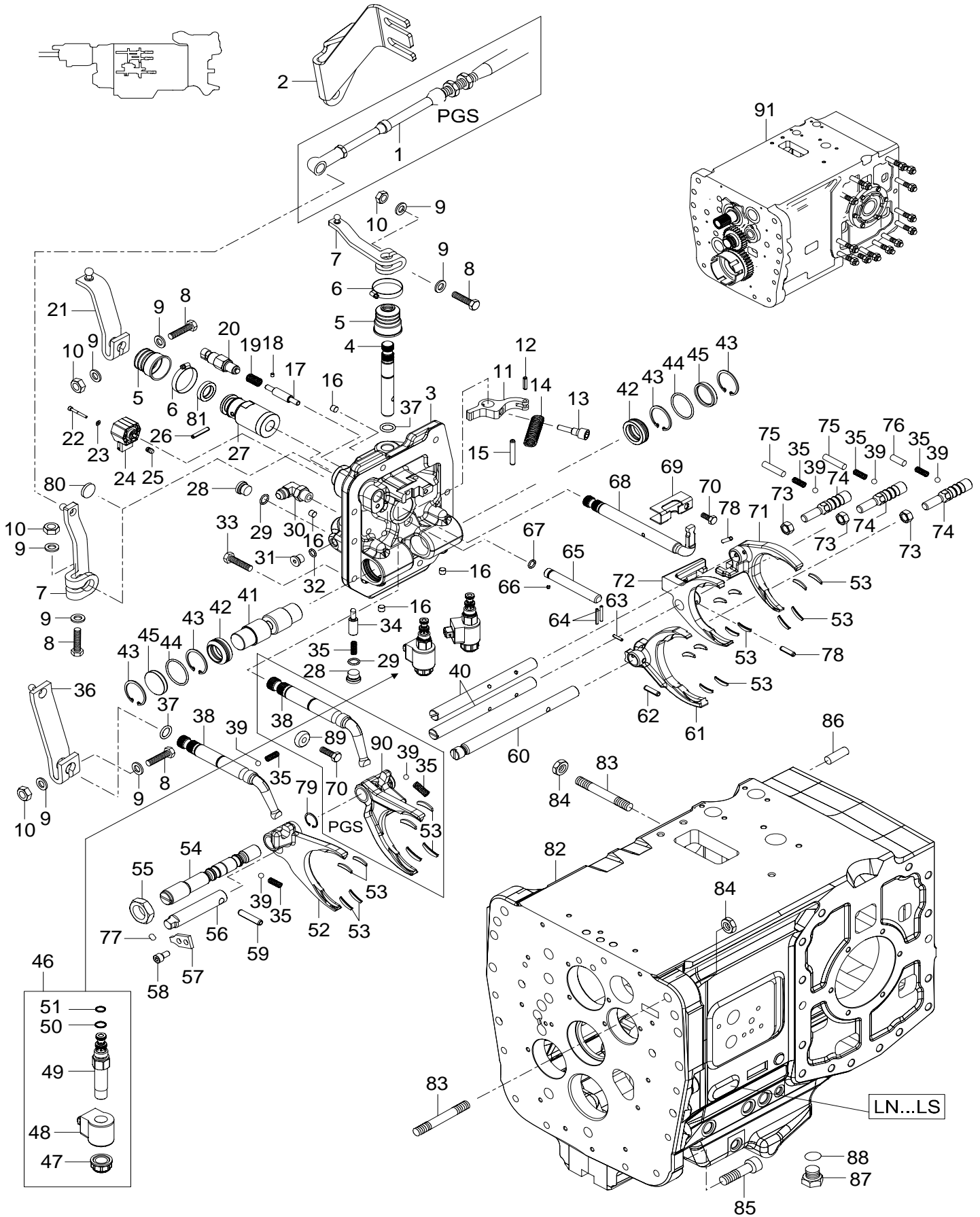
GETRIEBEGEHÄUSE
UND SCHALTGABEL

SCARTER DE LA
BOITE DE VITESSES
ET LEVIERS DE
CHANG.

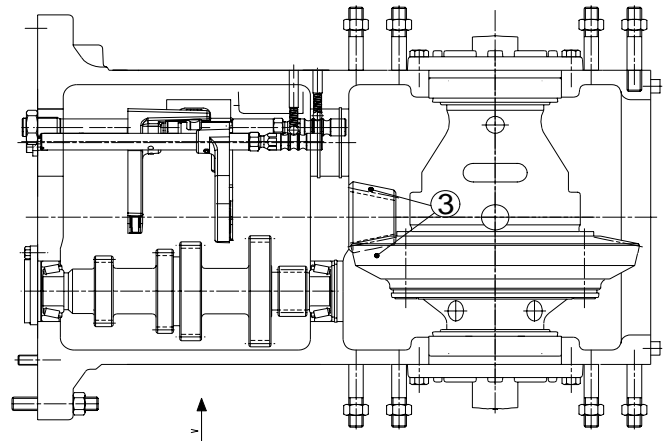
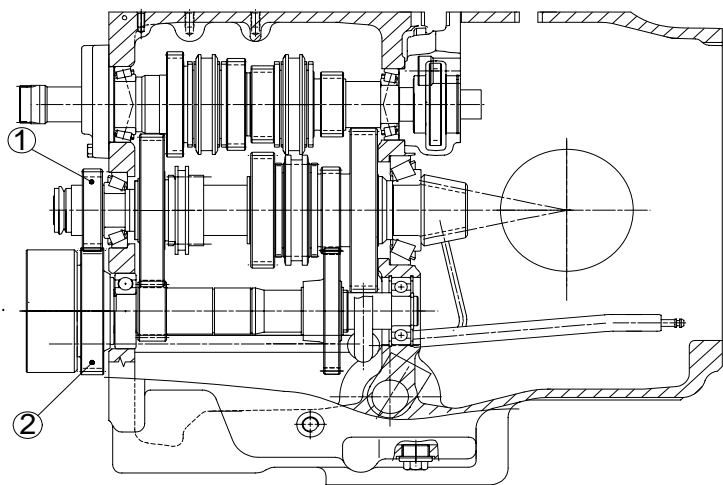
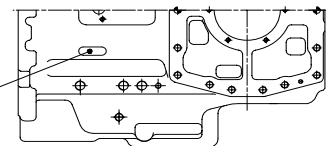
42-13

1.6.2007

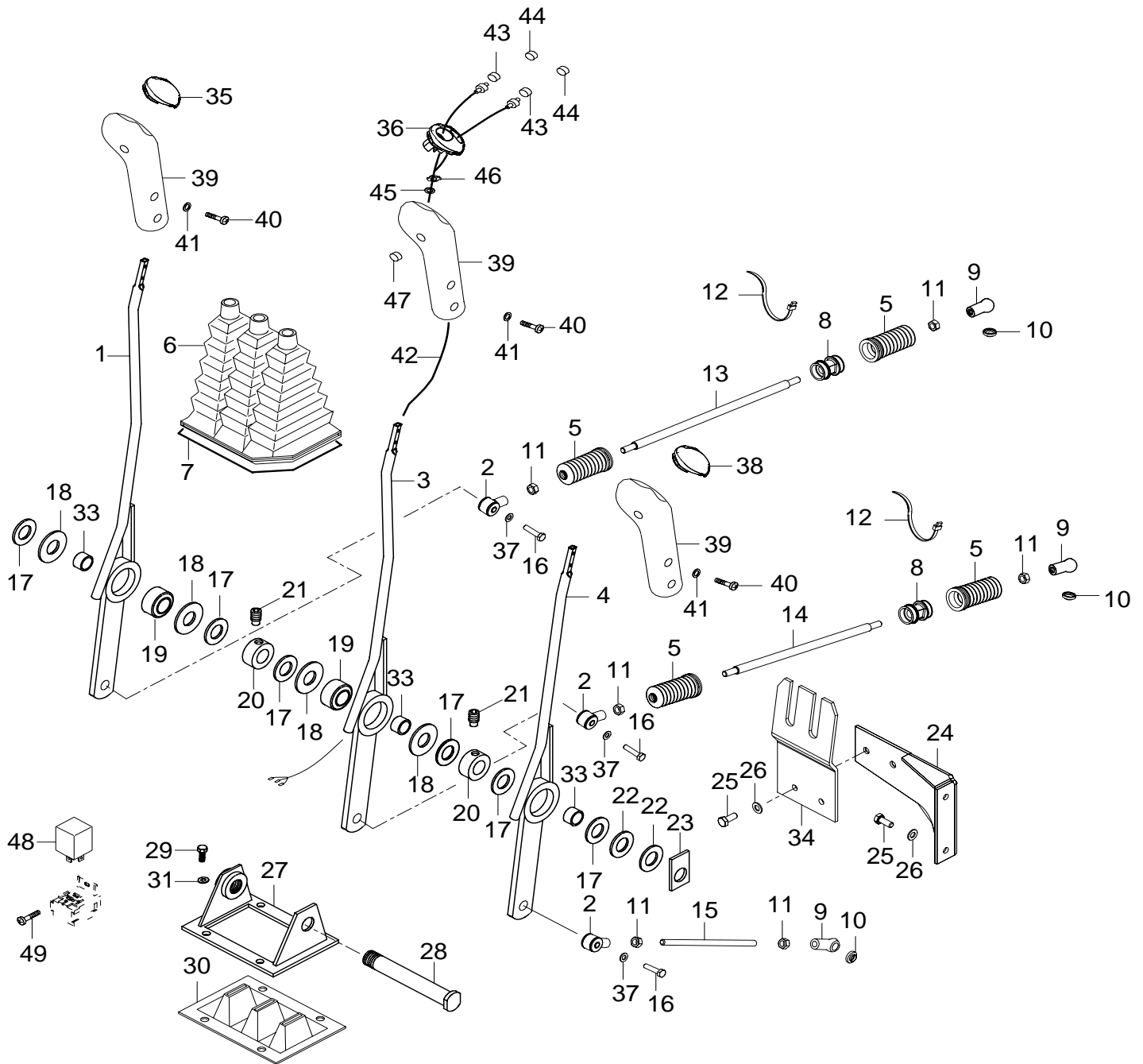
T151eLS, T161LS, T171LS,
T191LS

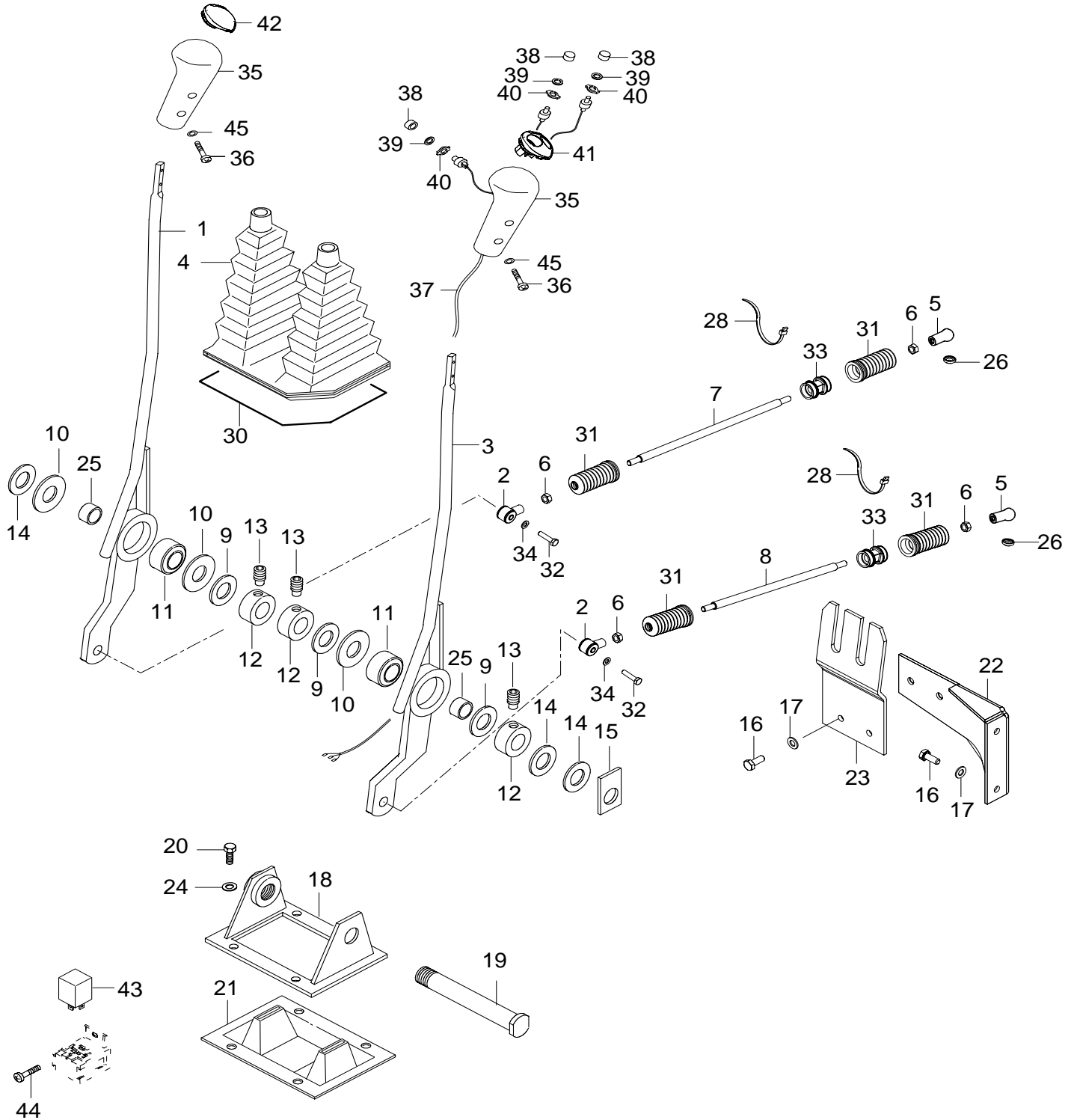


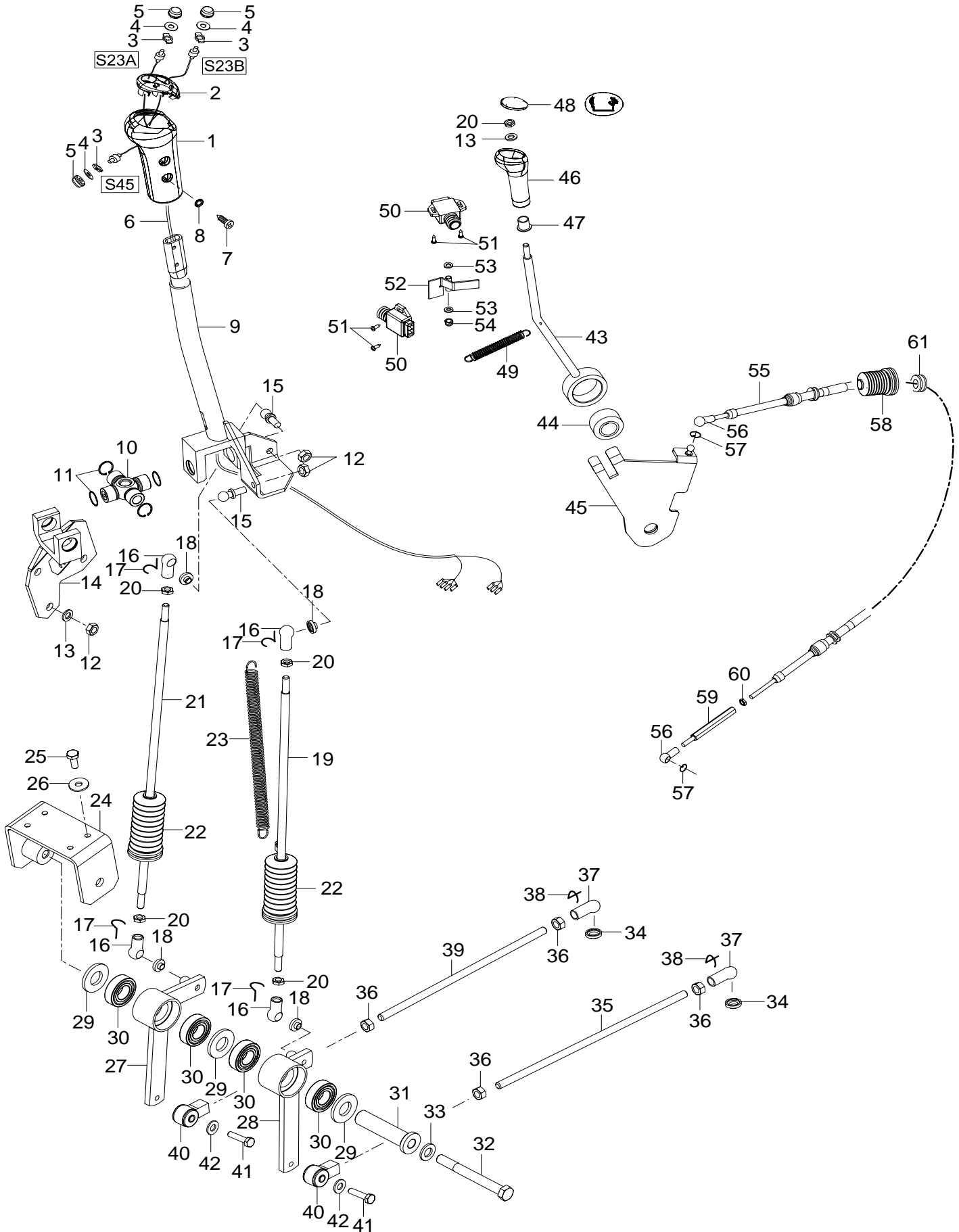
1.6.2007

T151eLS, T161LS, T171LS,
T191LSID LETTER
TUNNISTUSKIRJAIN
NO DE IDENTIFICACAO

VIEN_V

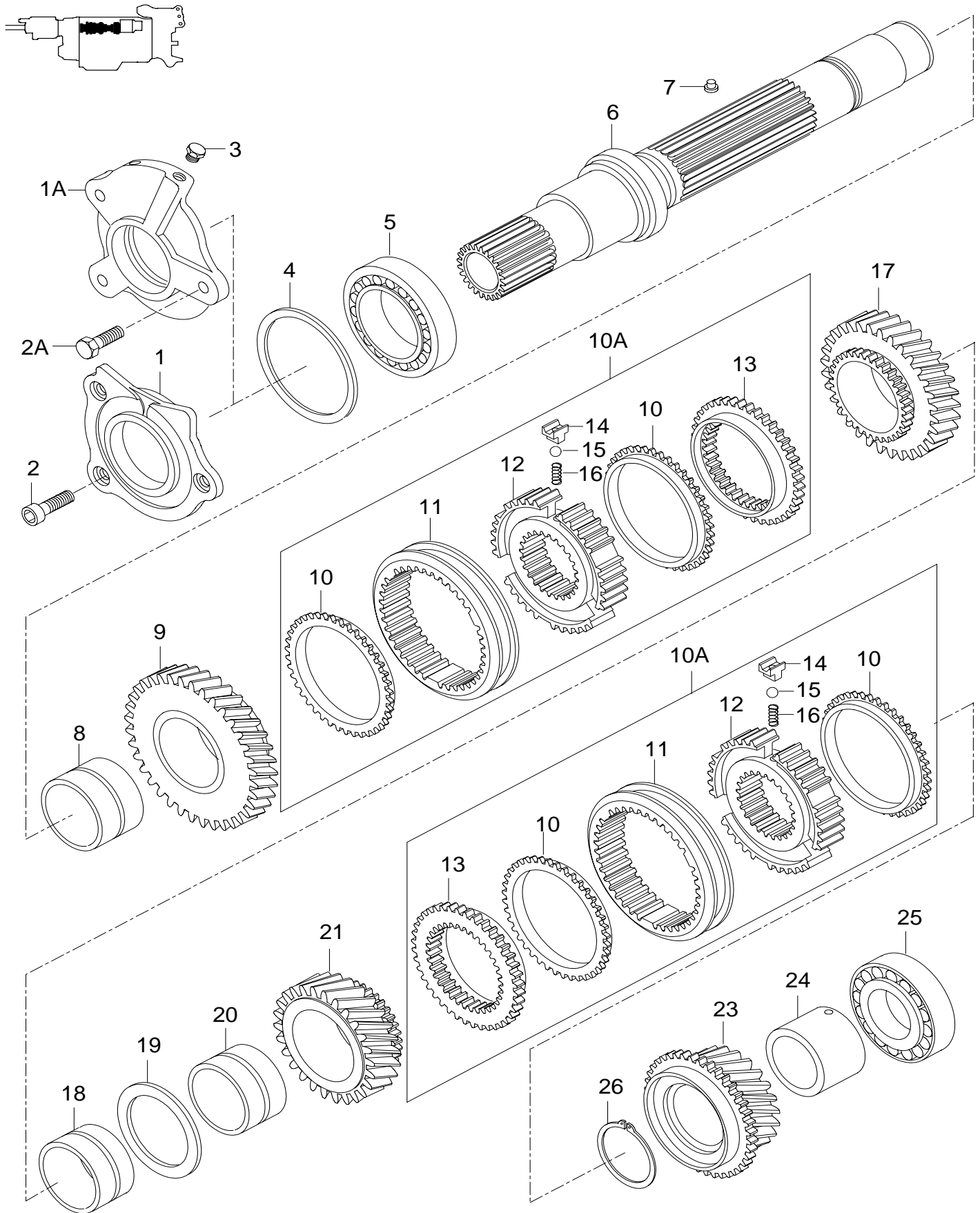




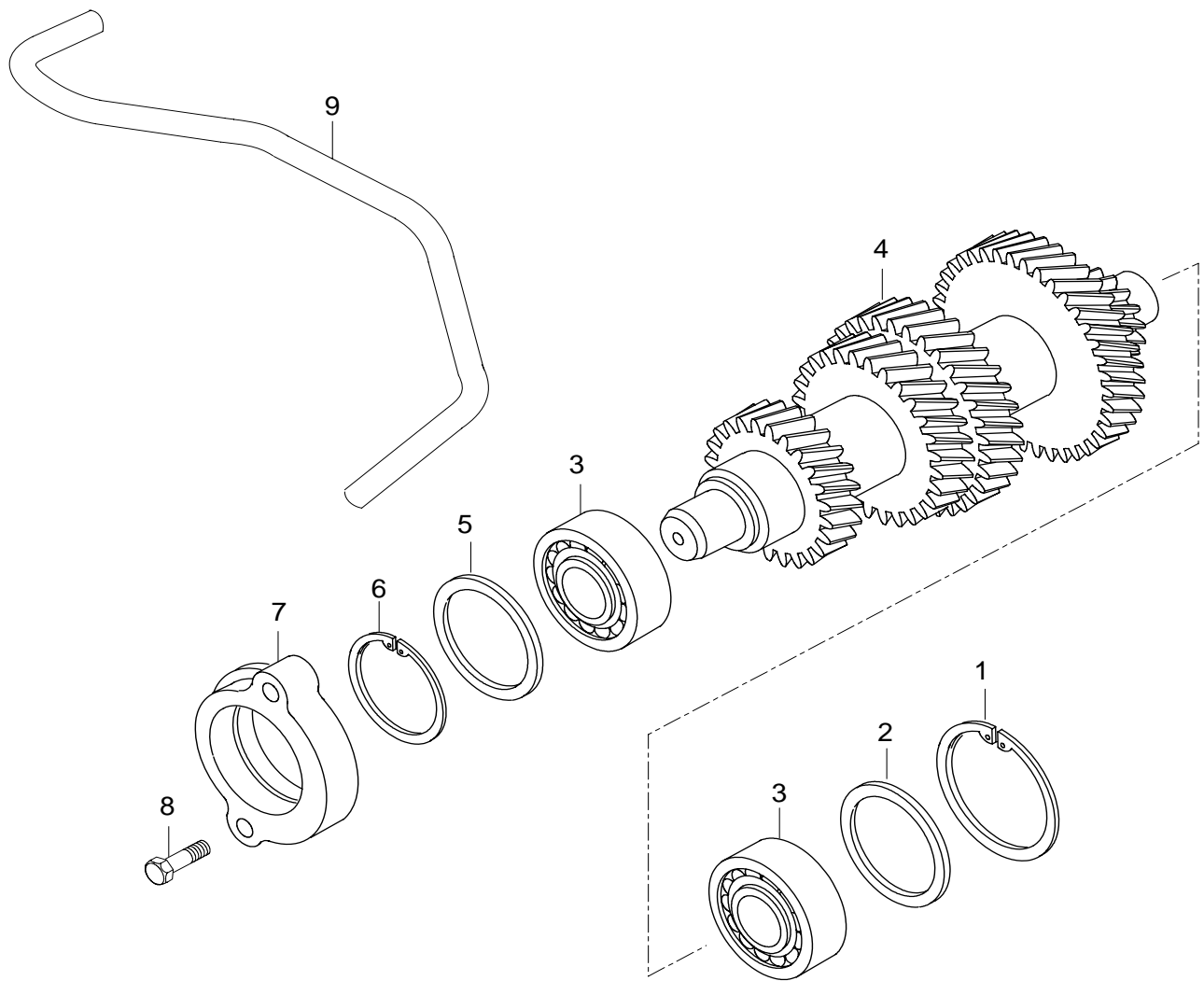
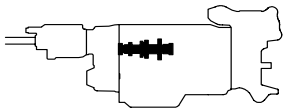


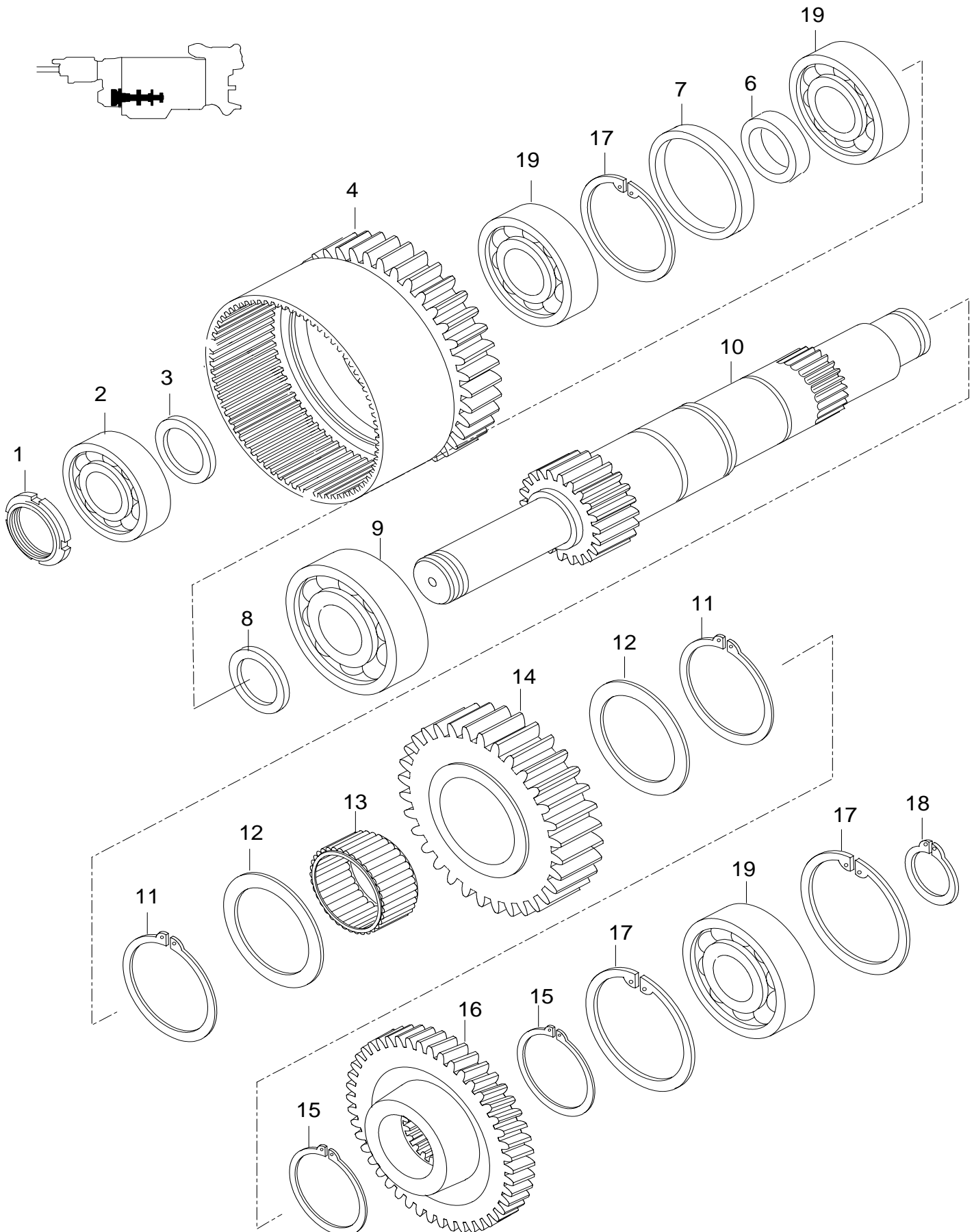
1.6.2007

T121c, T121h, T131c, T131h,
T151eh, T151eLS, T161c, T161h,
T161LS, T171c, T171h, T171LS,
T191h, T191LS



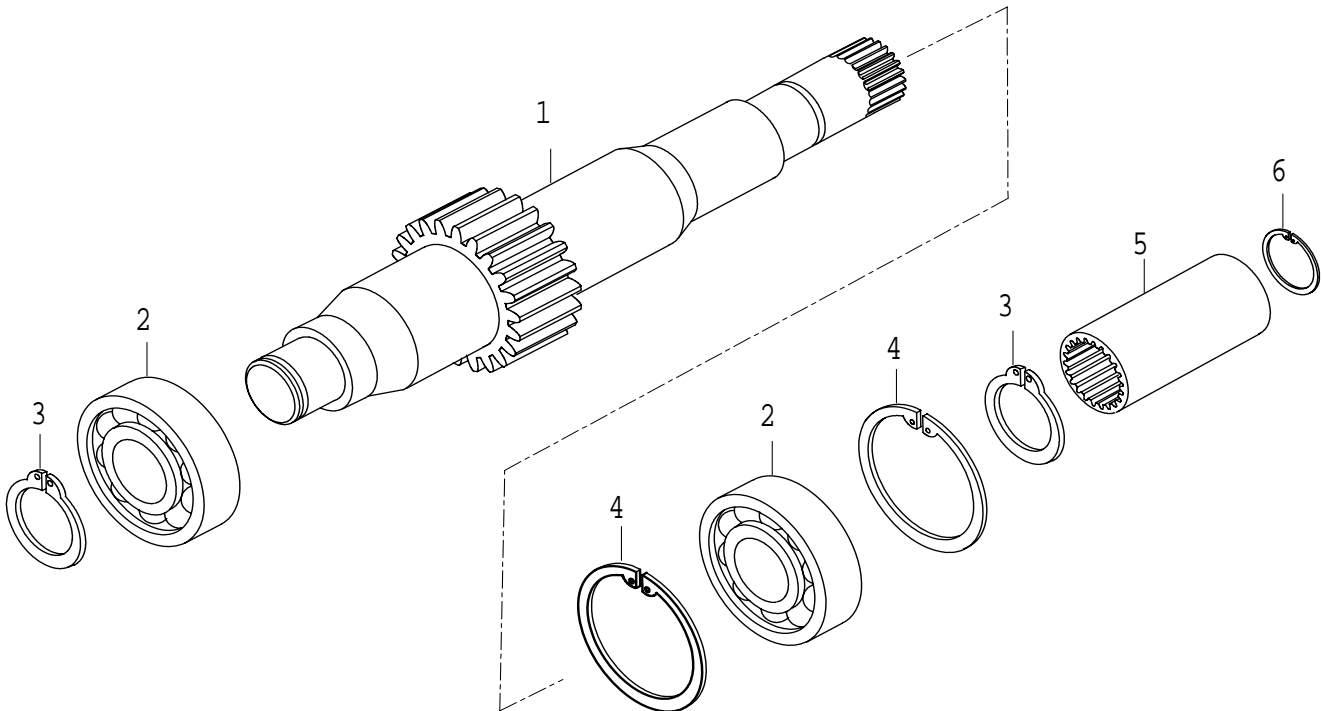
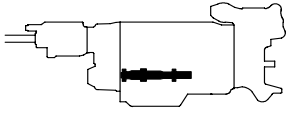
1.6.2007

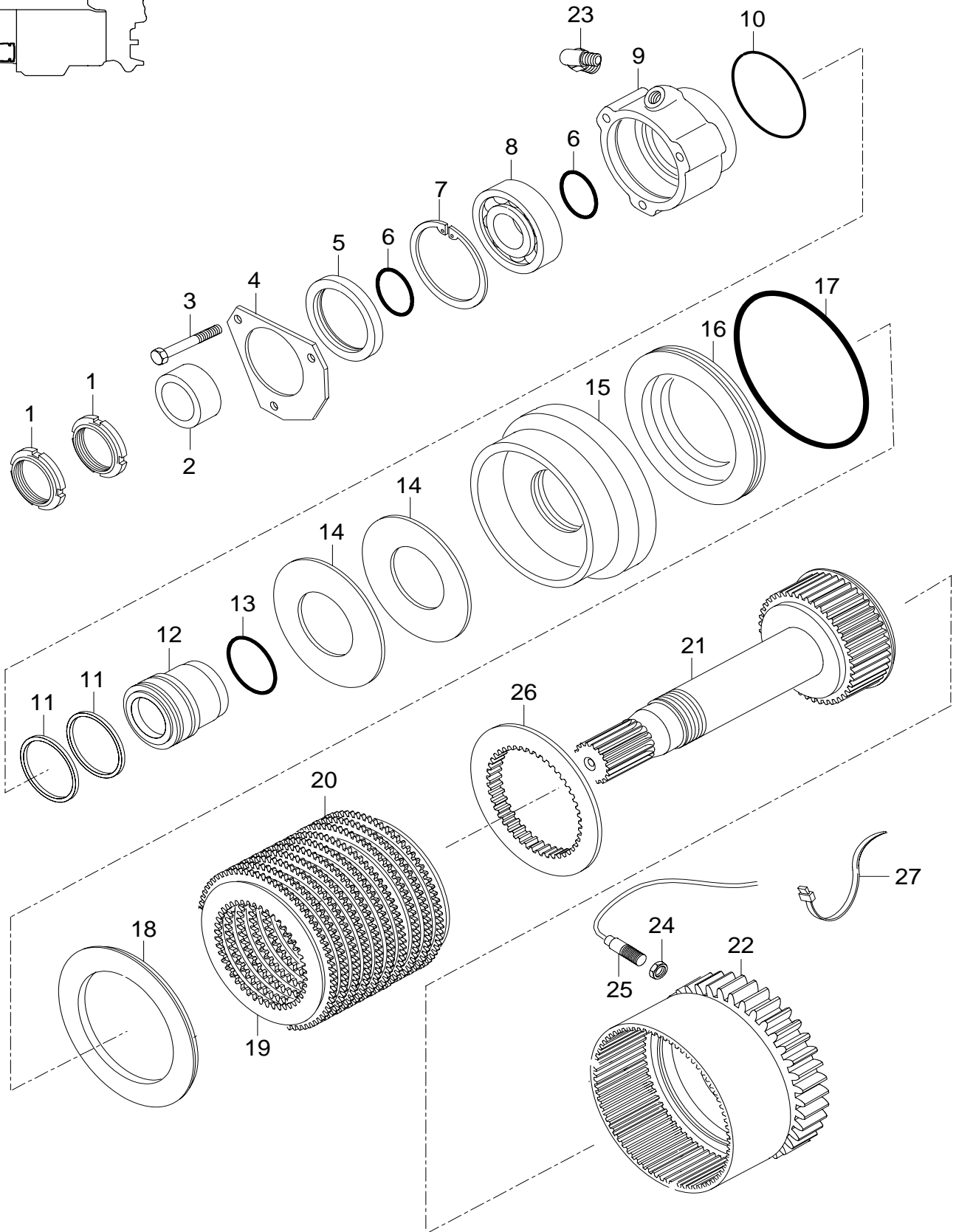
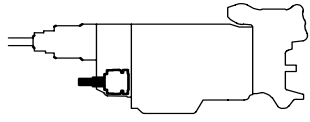
T121c, T121h, T131c, T131h,
T151eh, T151eLS, T161c, T161h,
T161LS, T171c, T171h, T171LS,
T191h, T191LS



1.6.2007

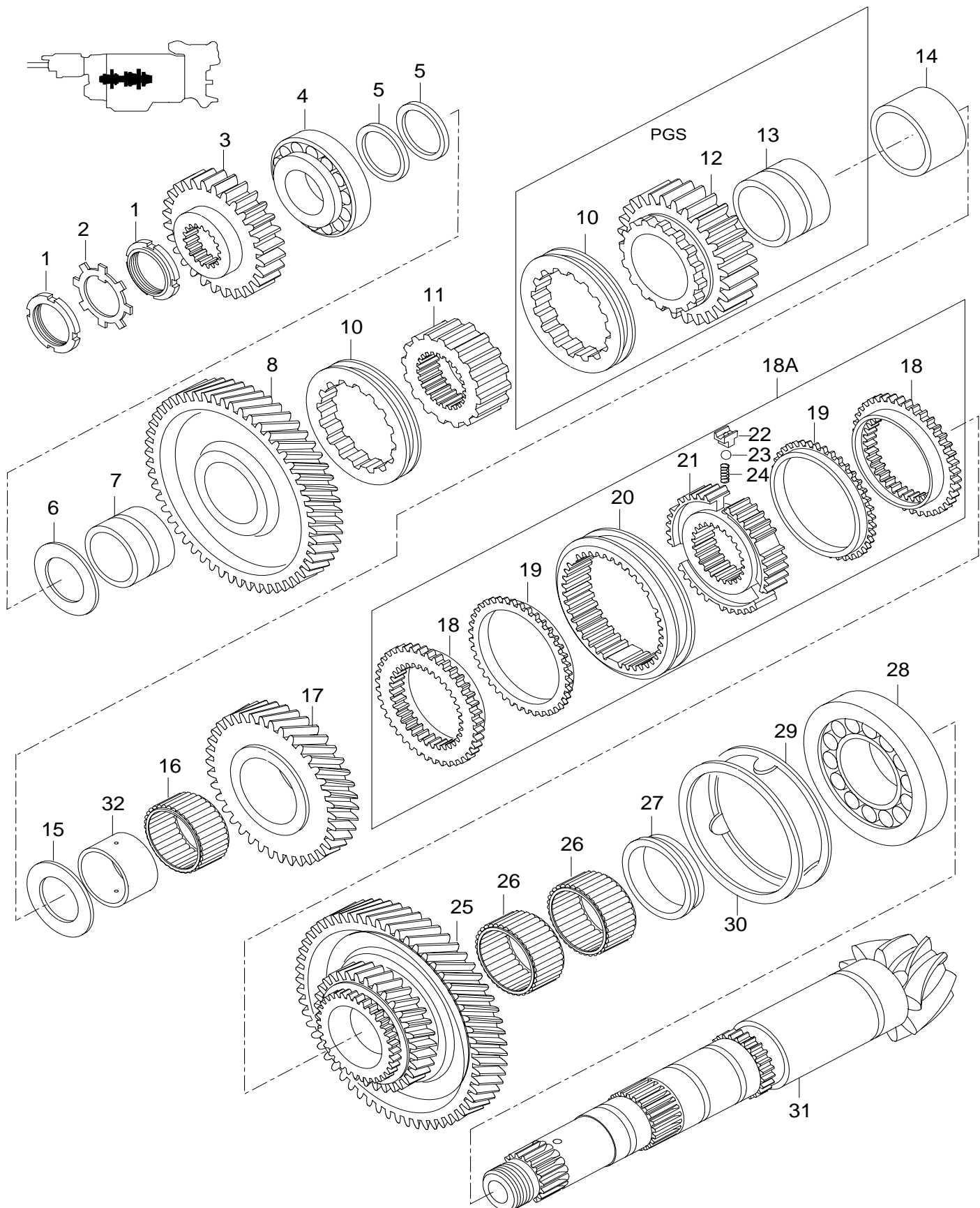
T121c, T121h, T131c, T131h,
T151eh, T151eLS, T161c, T161h,
T161LS, T171c, T171h, T171LS,
T191h, T191LS





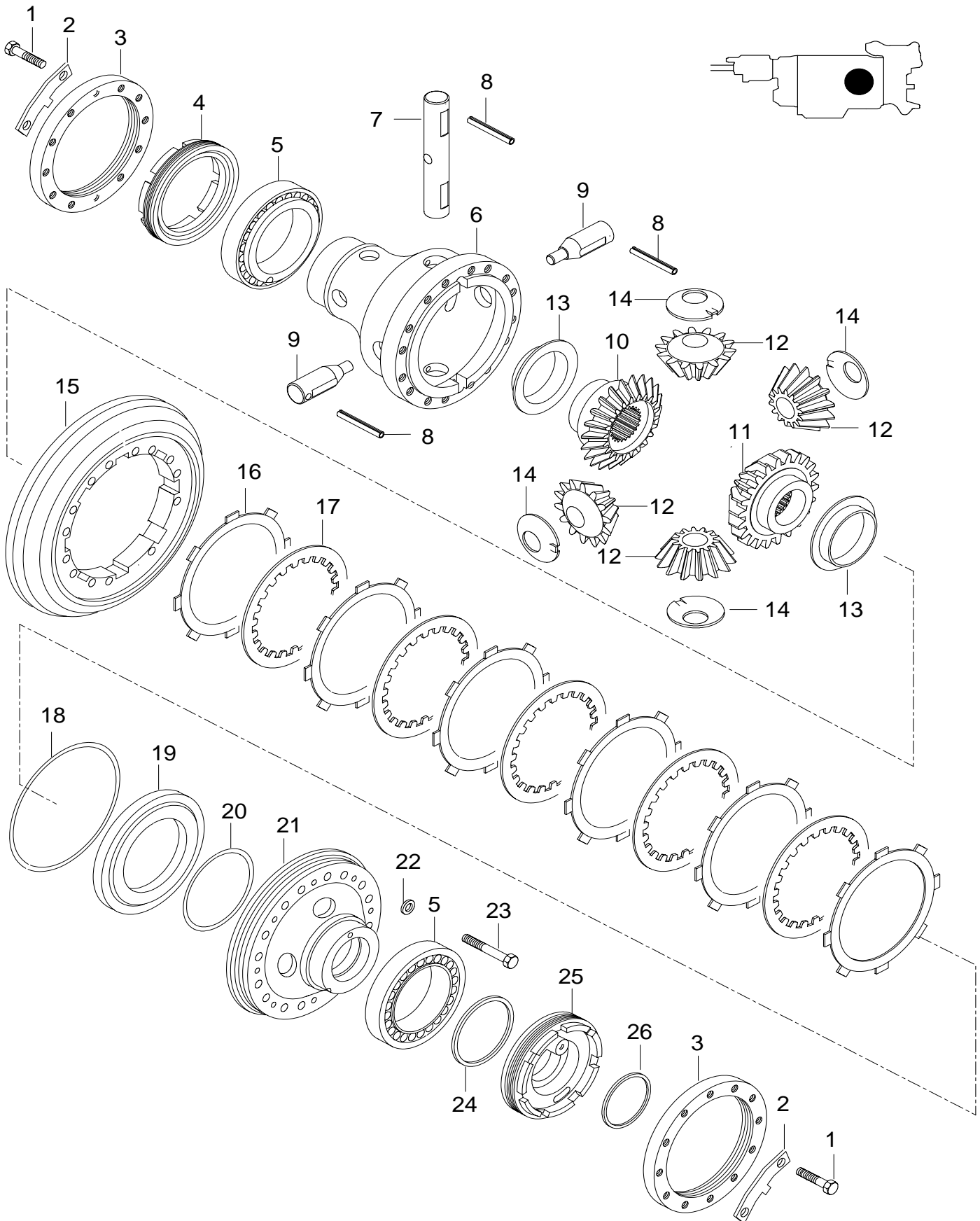
1.6.2007

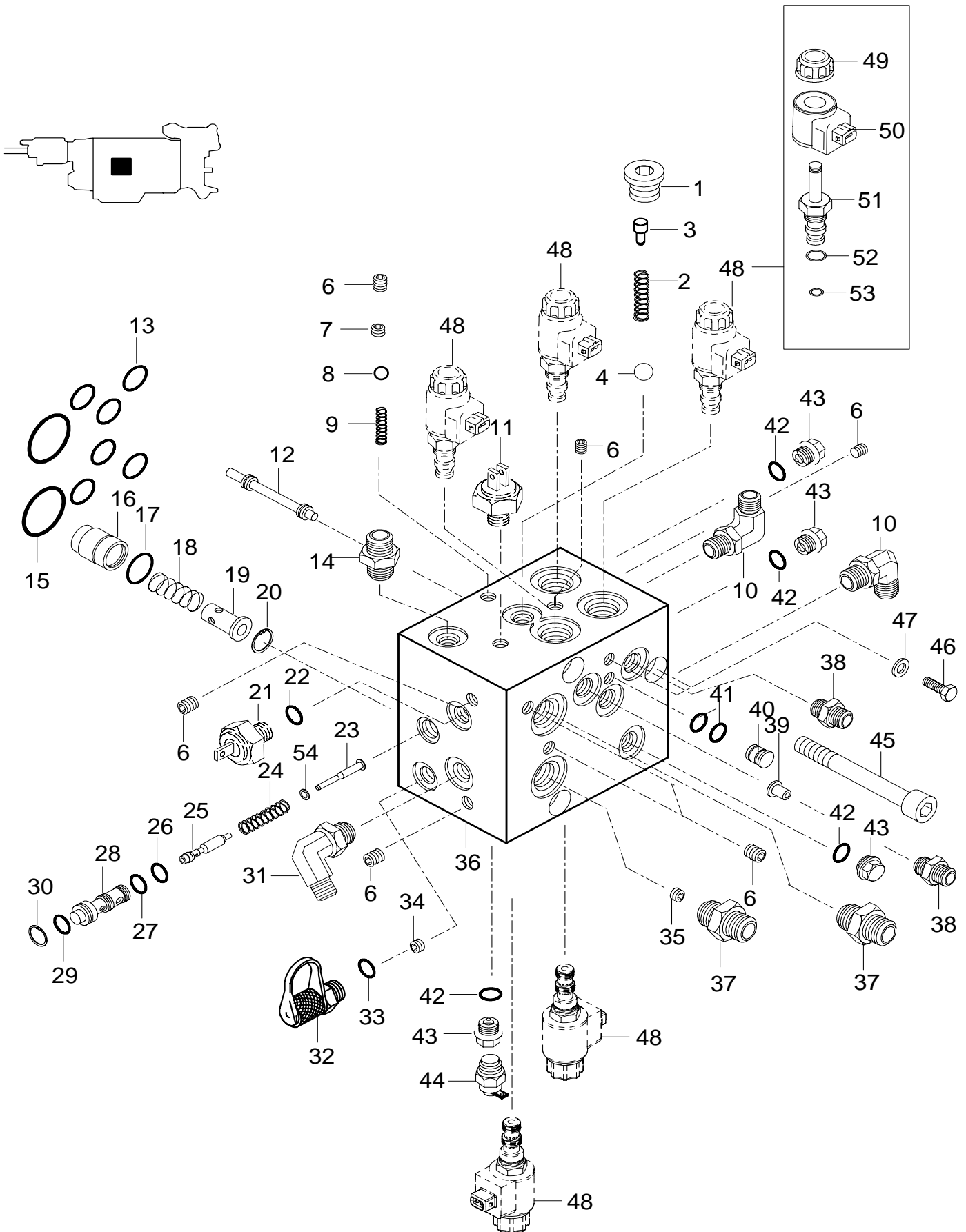
T121c, T121h, T131c, T131h,
T151eh, T151eLS, T161c, T161h,
T161LS, T171c, T171h, T171LS,
T191h, T191LS



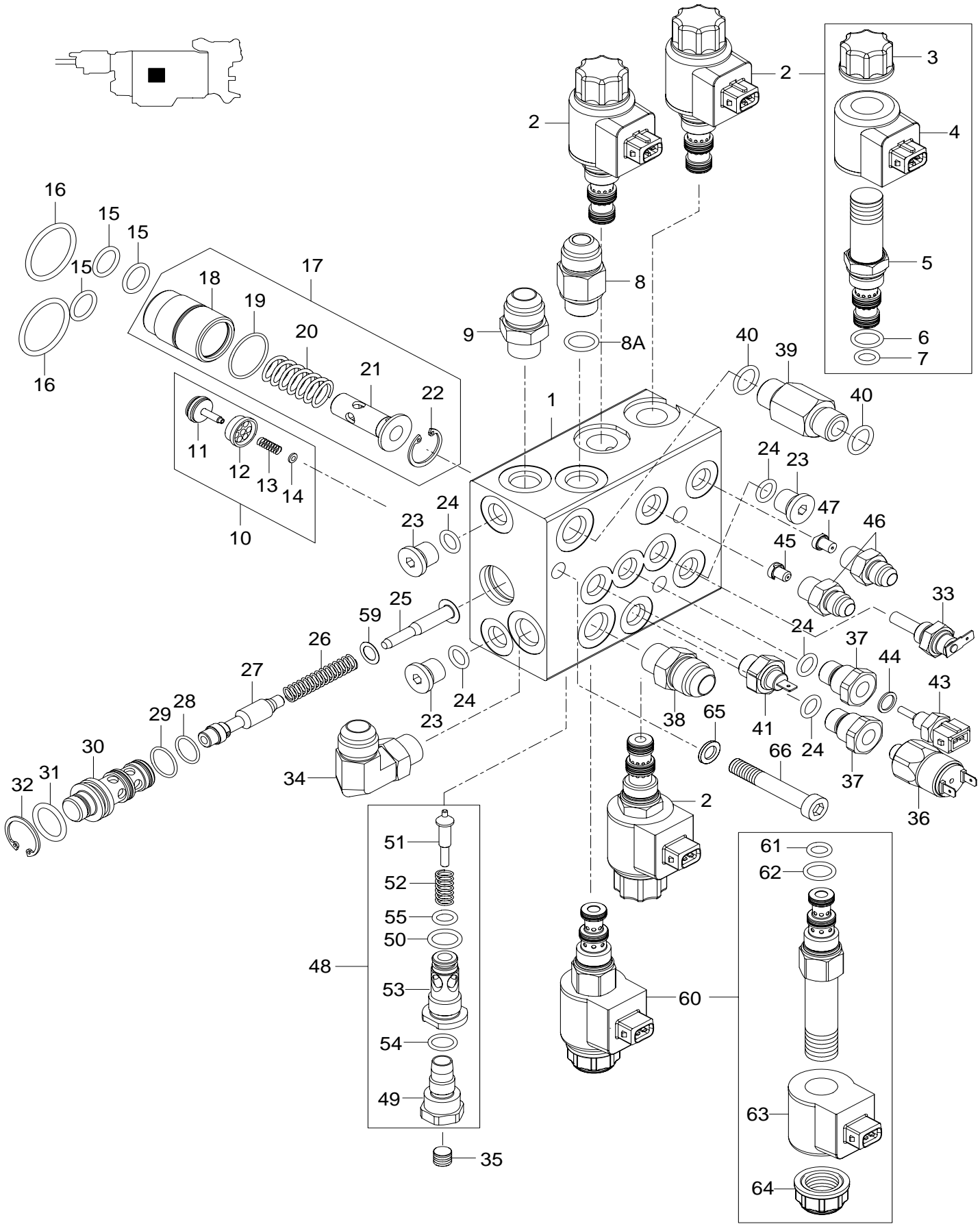
1.6.2007

T121c, T121h, T131c, T131h,
T151eh, T151eLS, T161c, T161h,
T161LS, T171c, T171h, T171LS,
T191h, T191LS

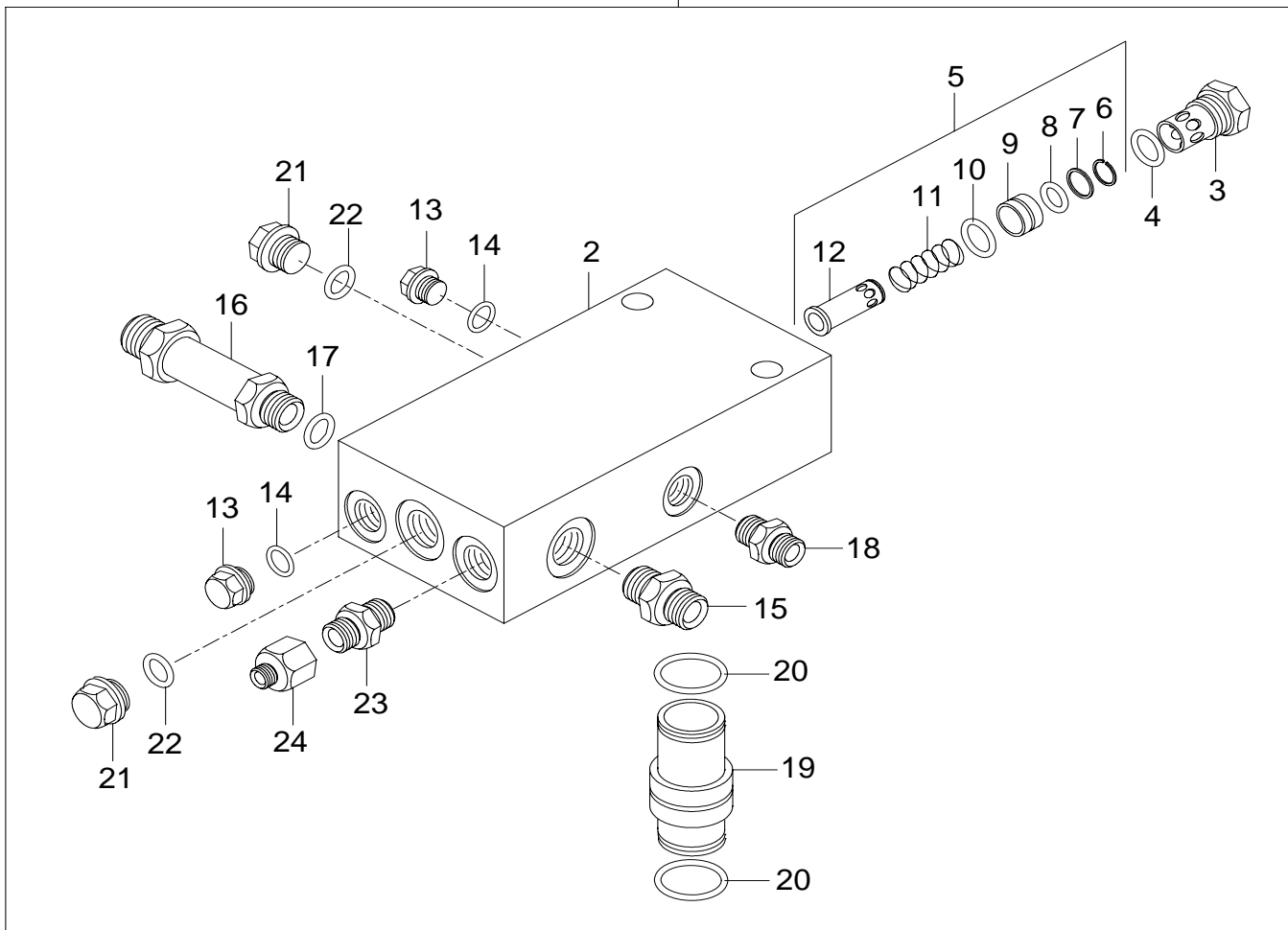




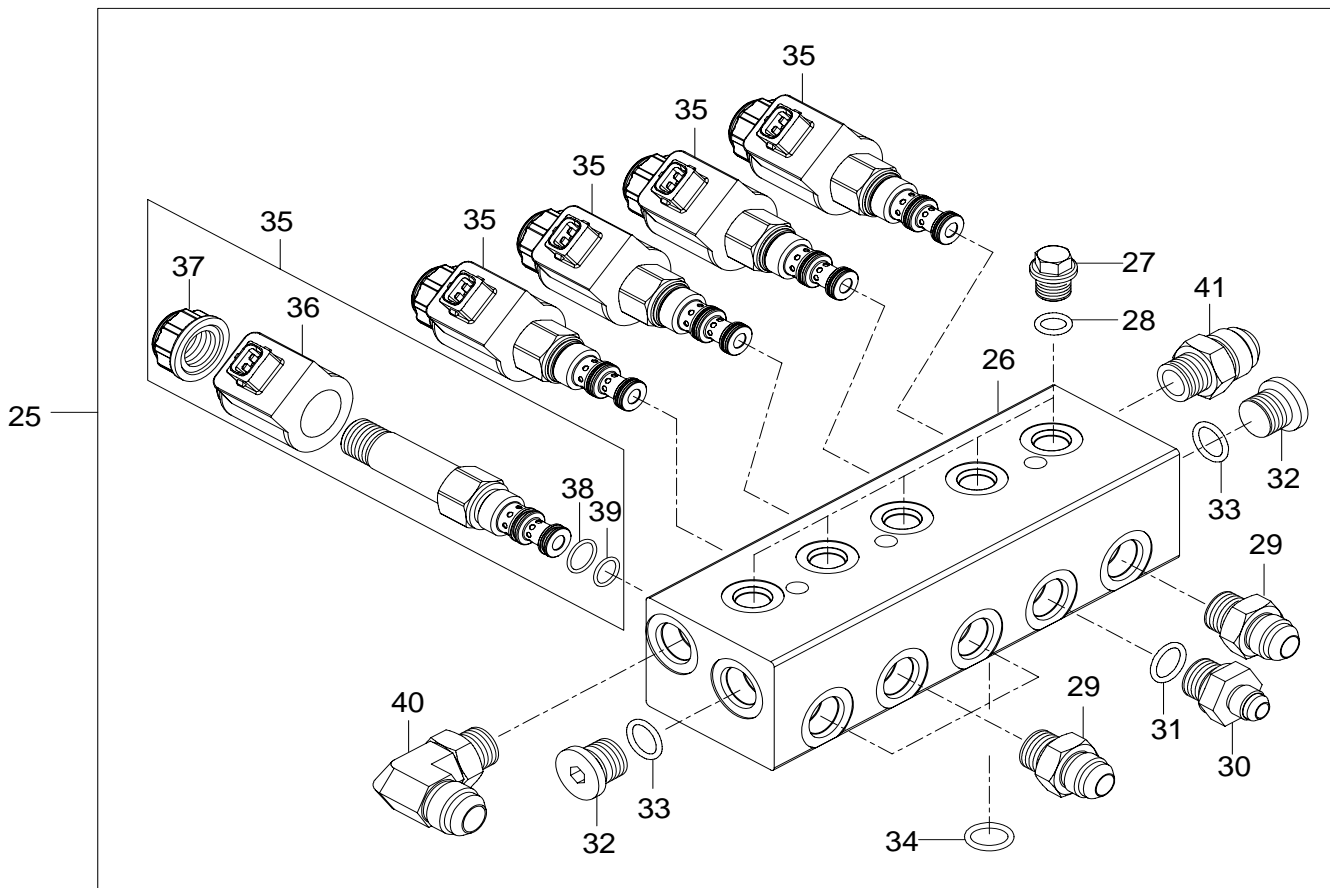
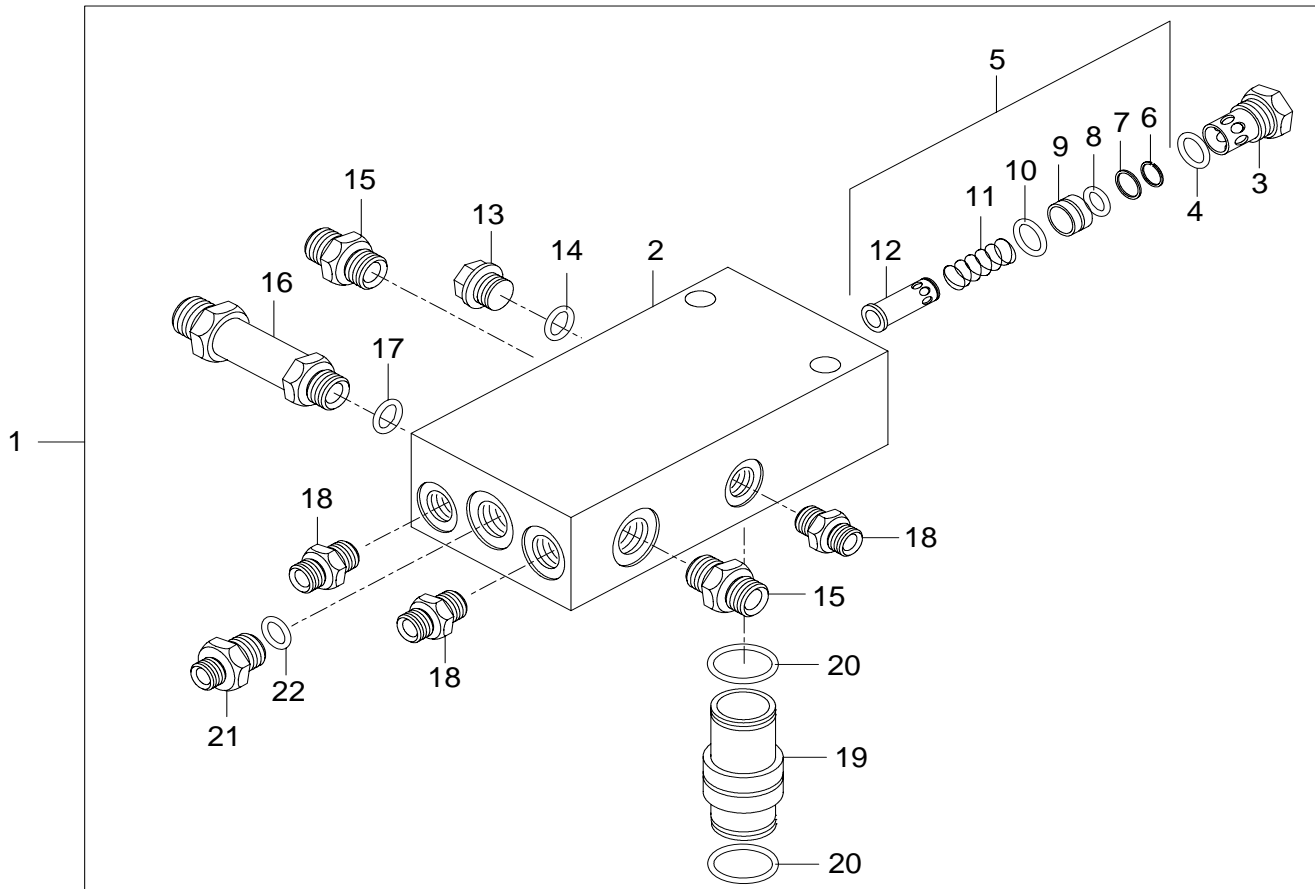
1.6.2007
 T121h, T131h, T151eh, T151eLS,
 T161h, T161LS, T171h, T171LS,
 T191h, T191LS

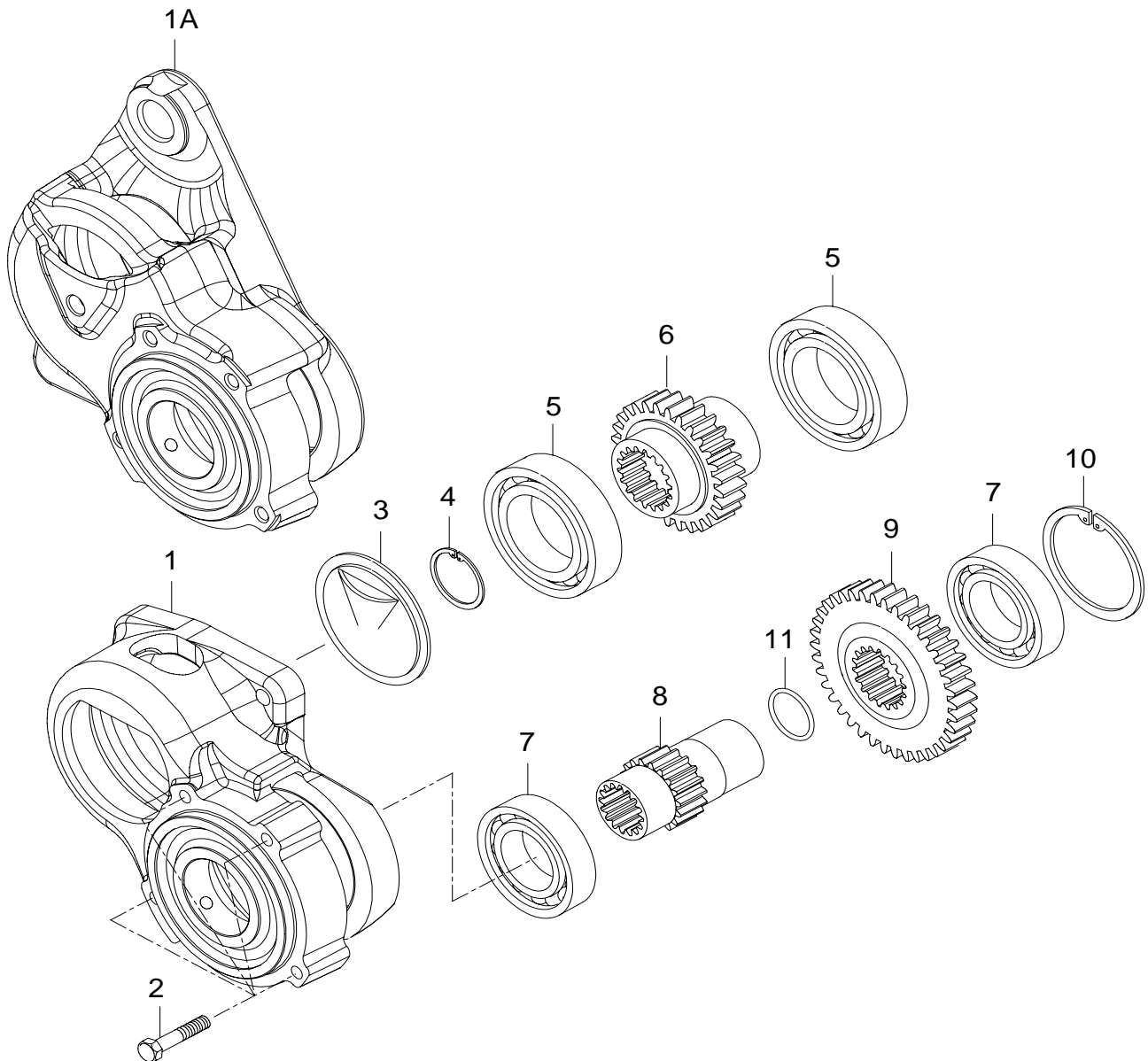
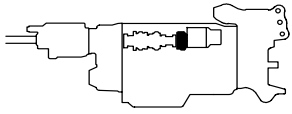


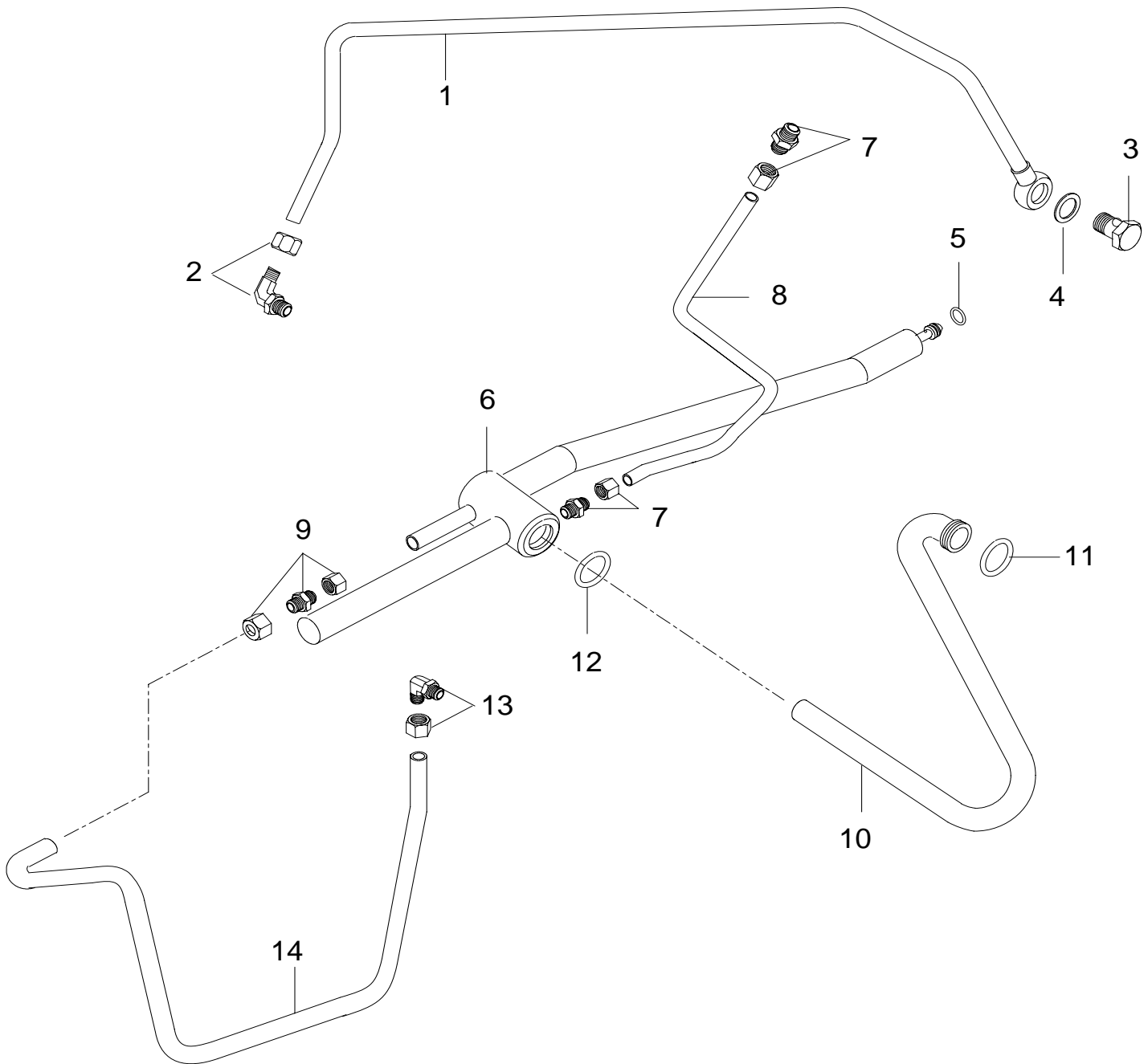
1



1.6.2007
 T121h, T131h, T151eh, T151eLS,
 T161h, T161LS, T171h, T171LS,
 T191h, T191LS

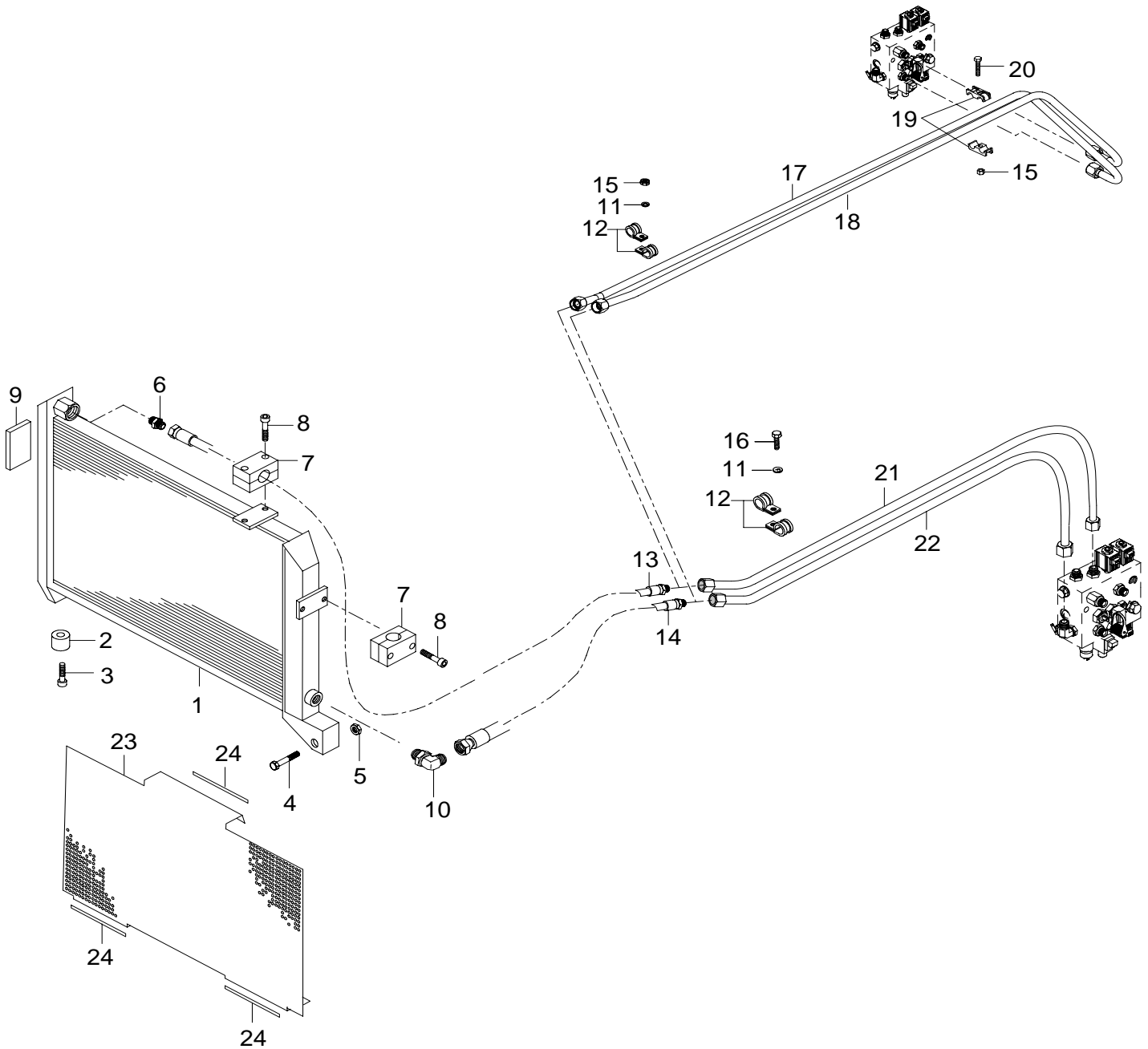


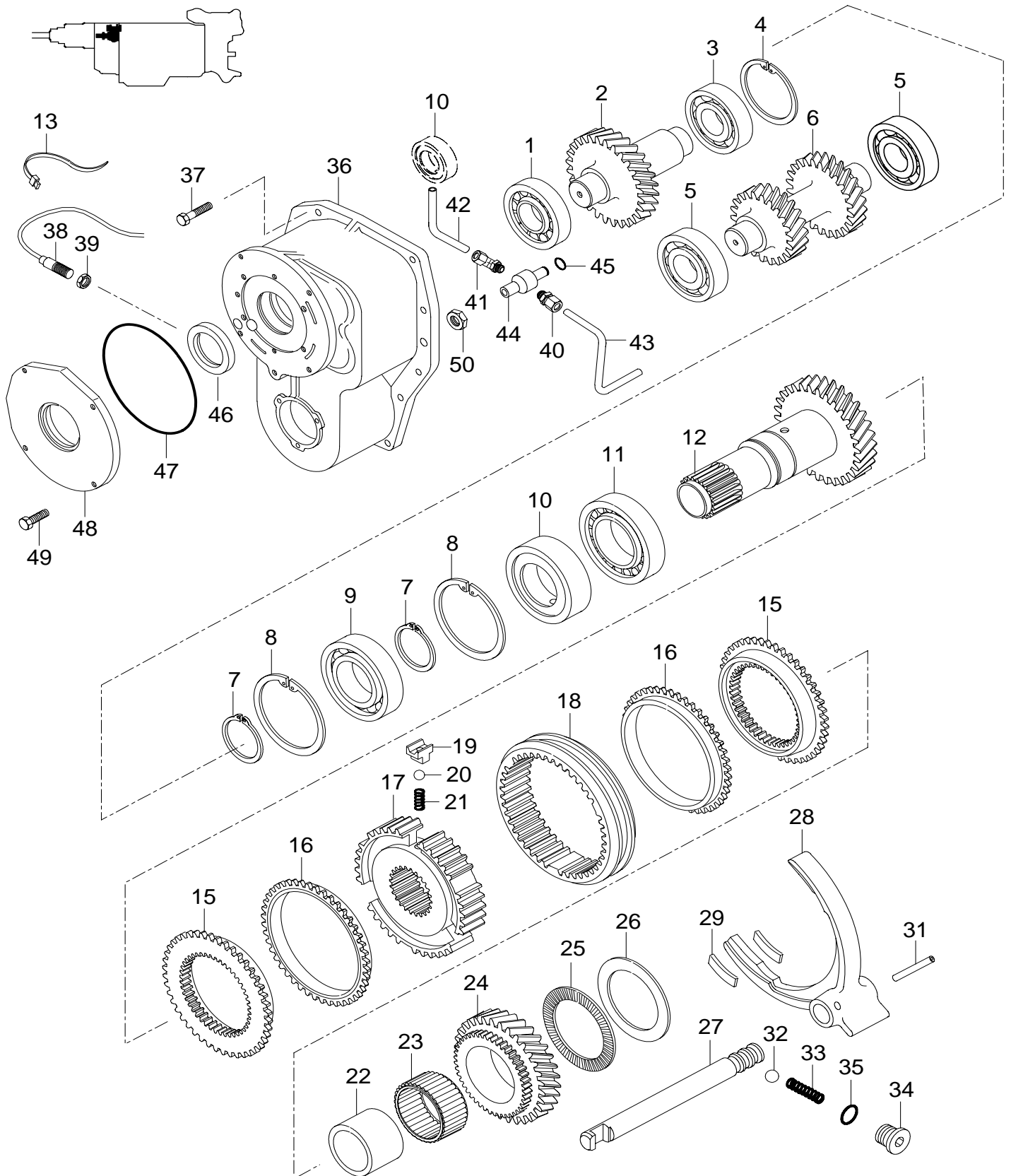




1.6.2007

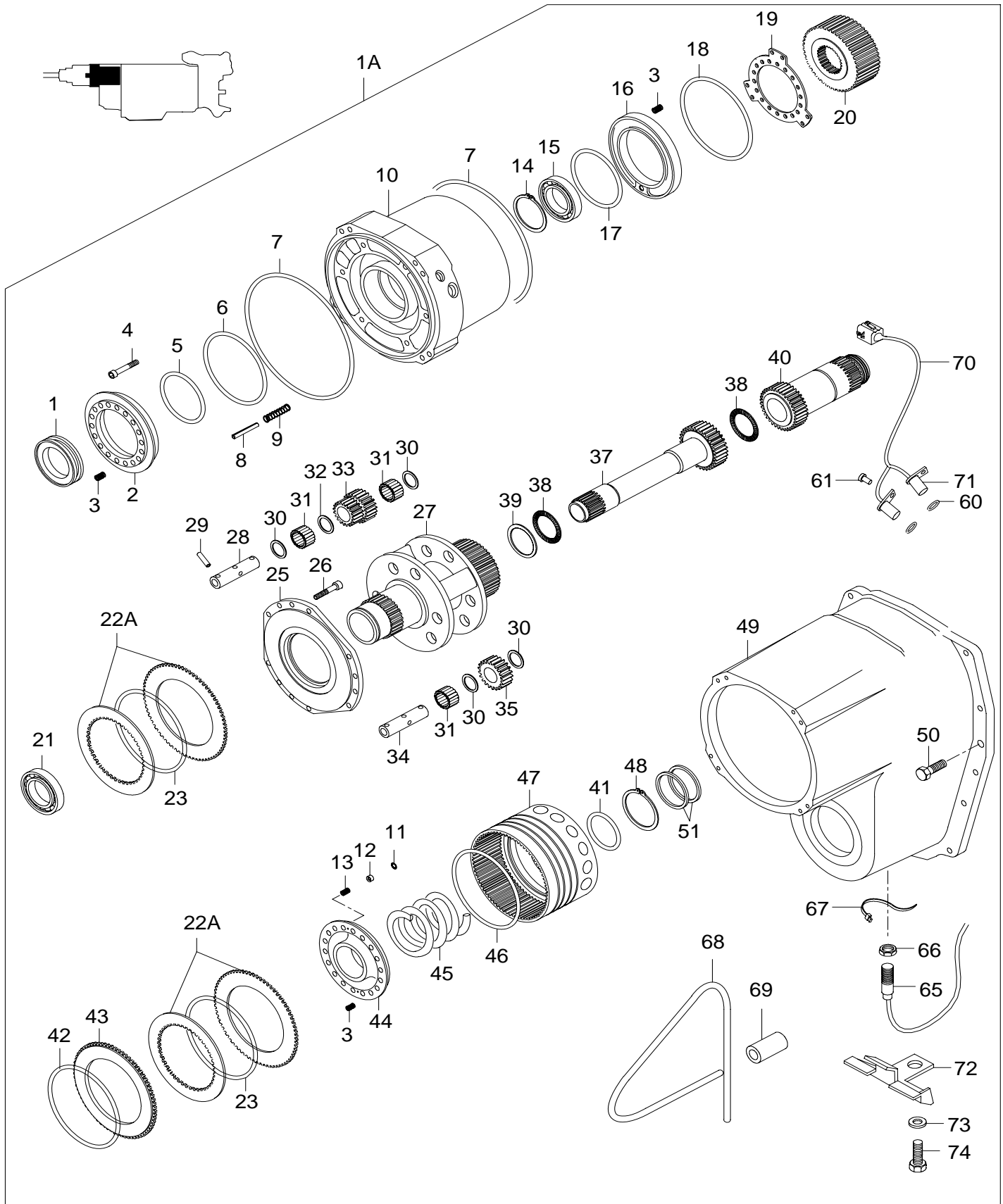
T121c, T121h, T131c, T131h,
T151eh, T151eLS, T161c, T161h,
T161LS, T171c, T171h, T171LS,
T191h, T191LS

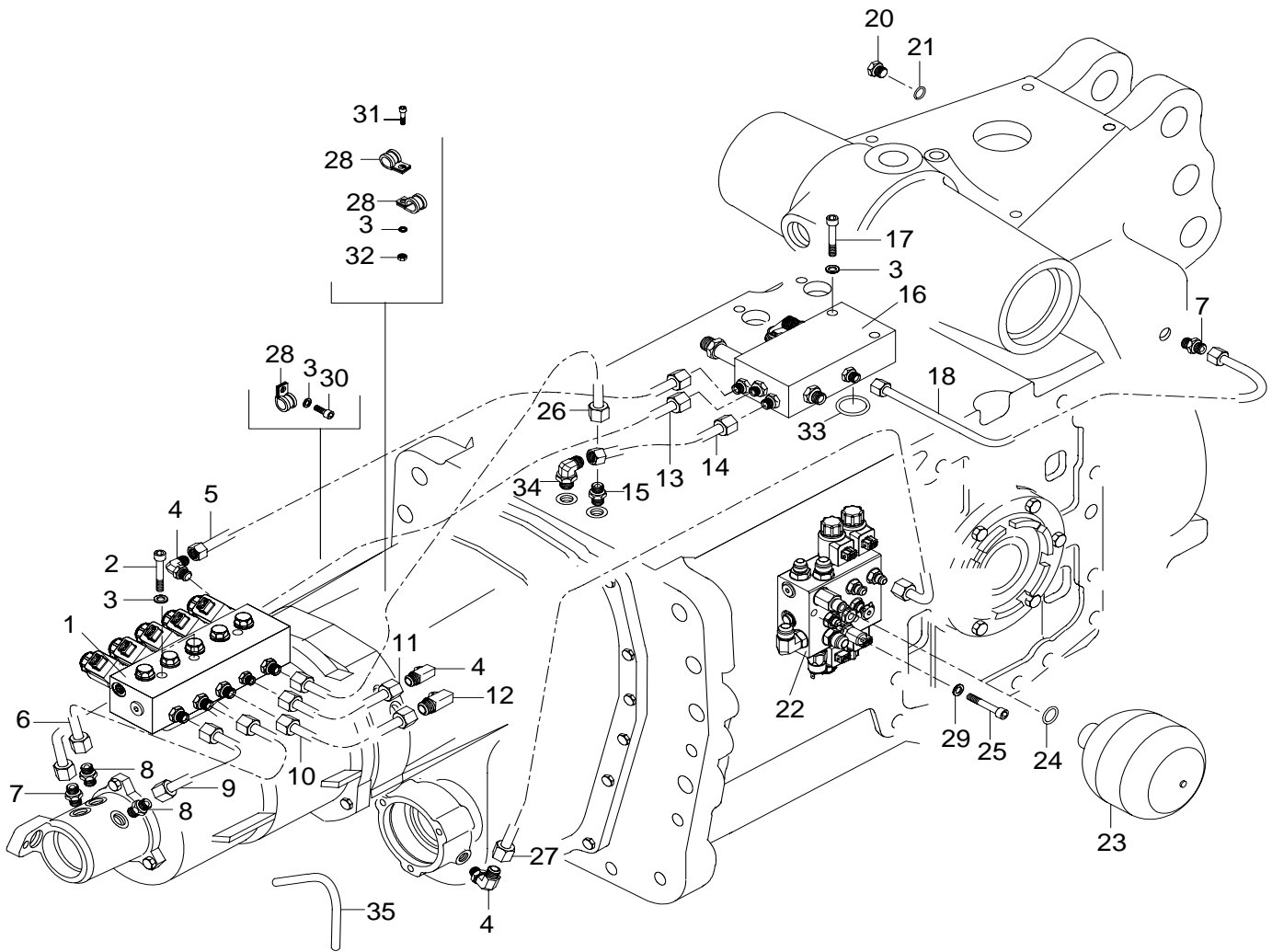


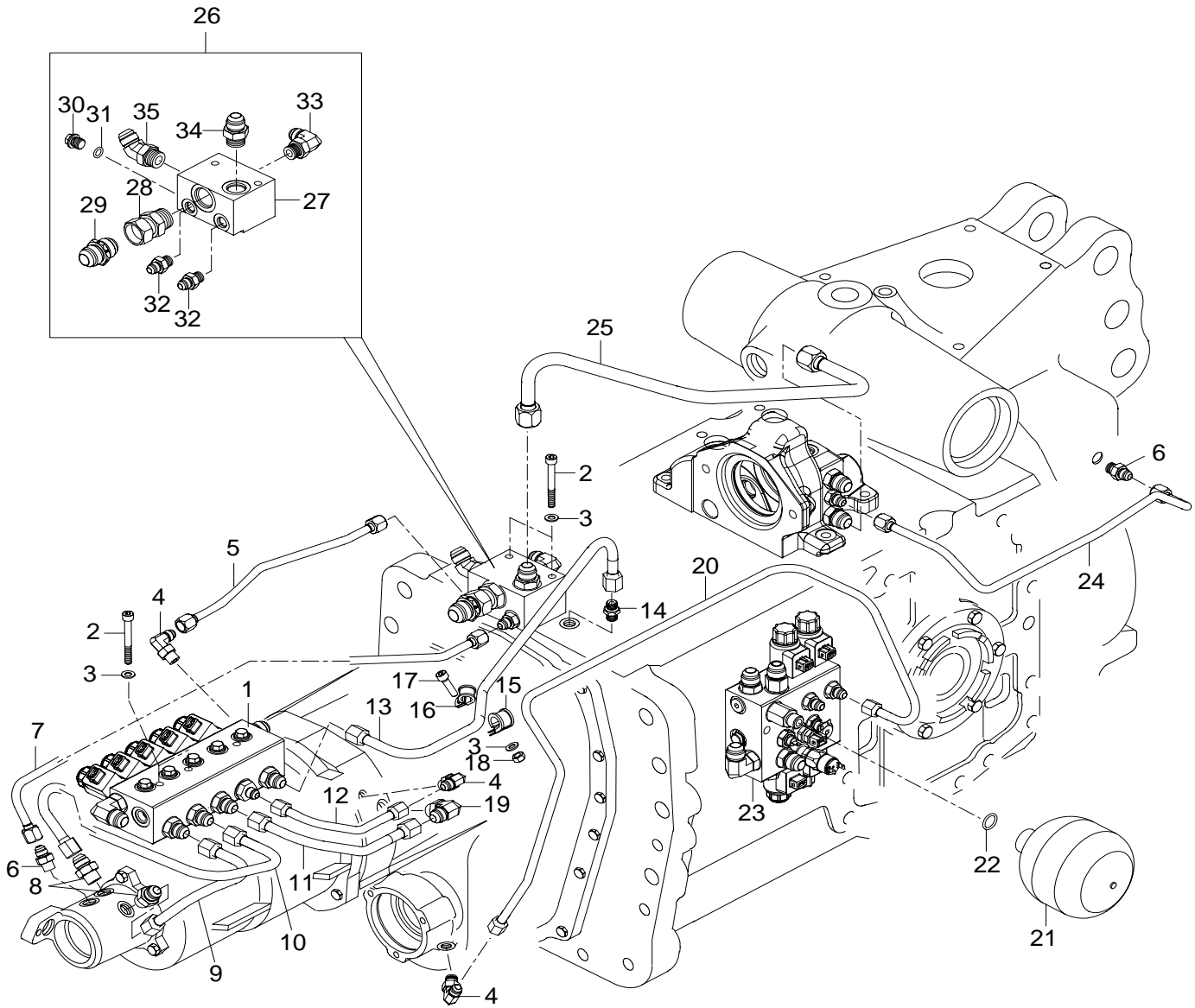


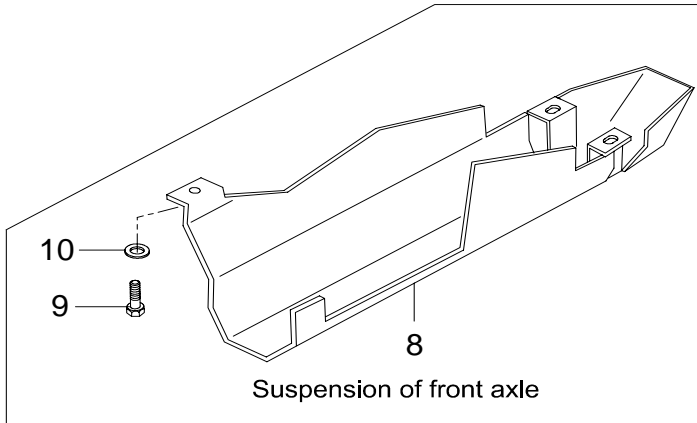
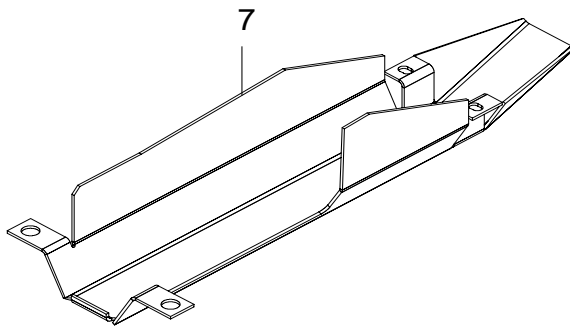
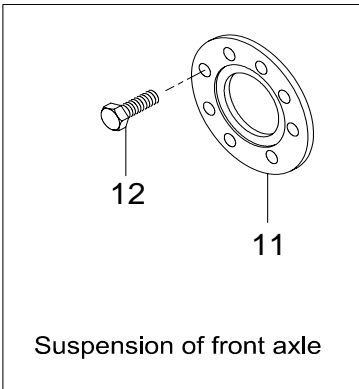
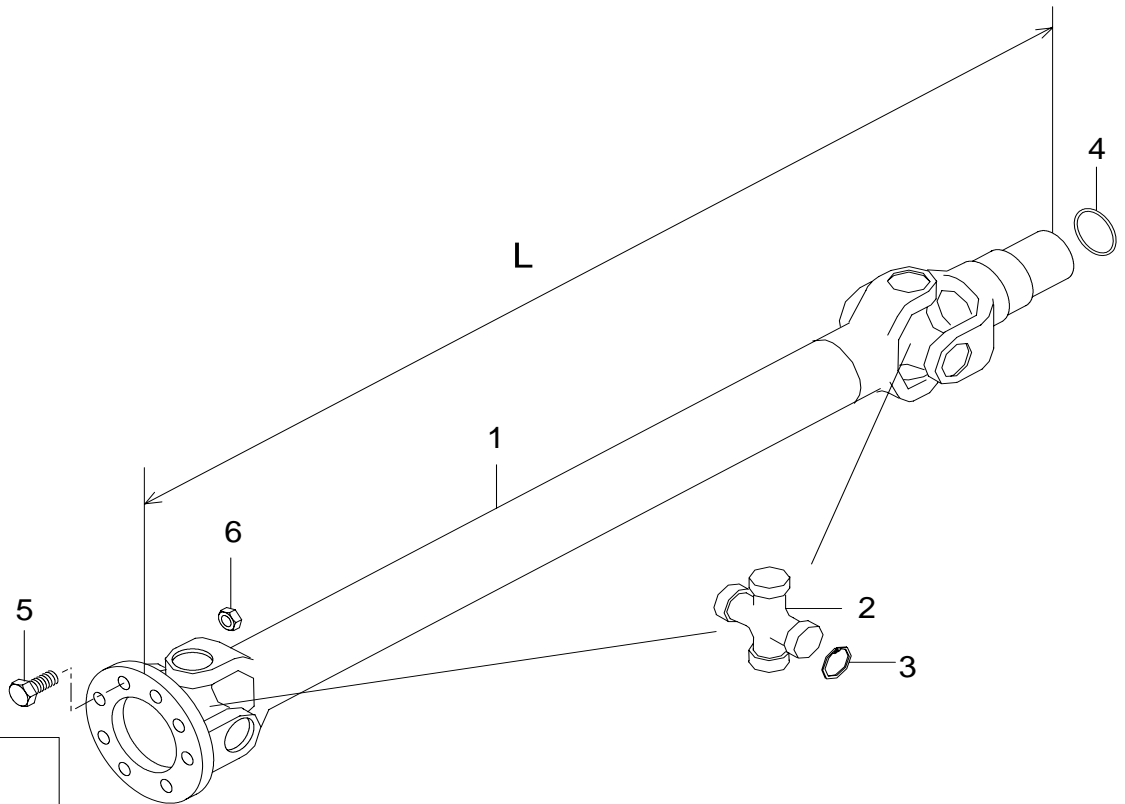
1.6.2007

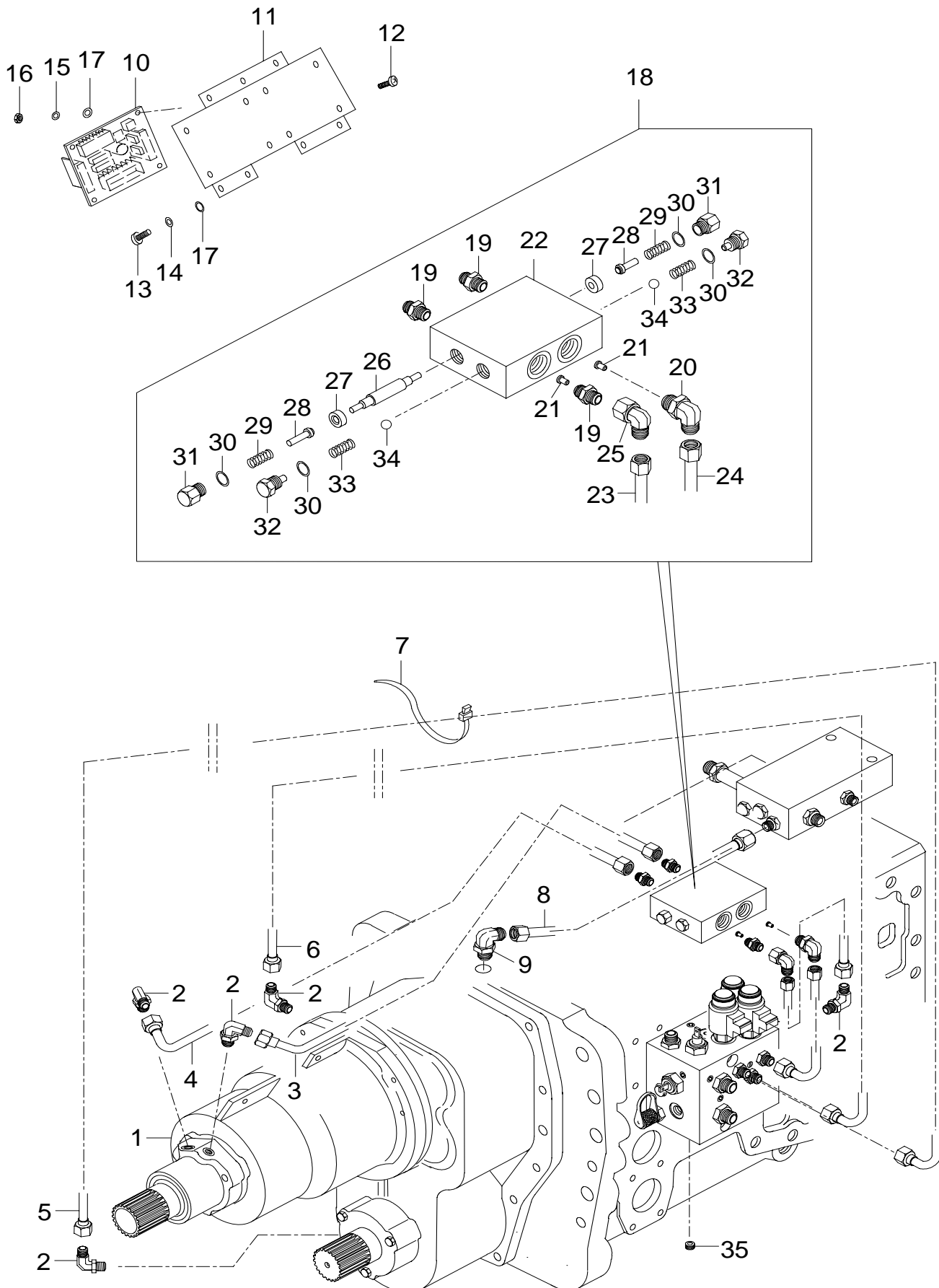
T121h, T131h, T151eh, T151eLS,
T161h, T161LS, T171h, T171LS,
T191h, T191LS

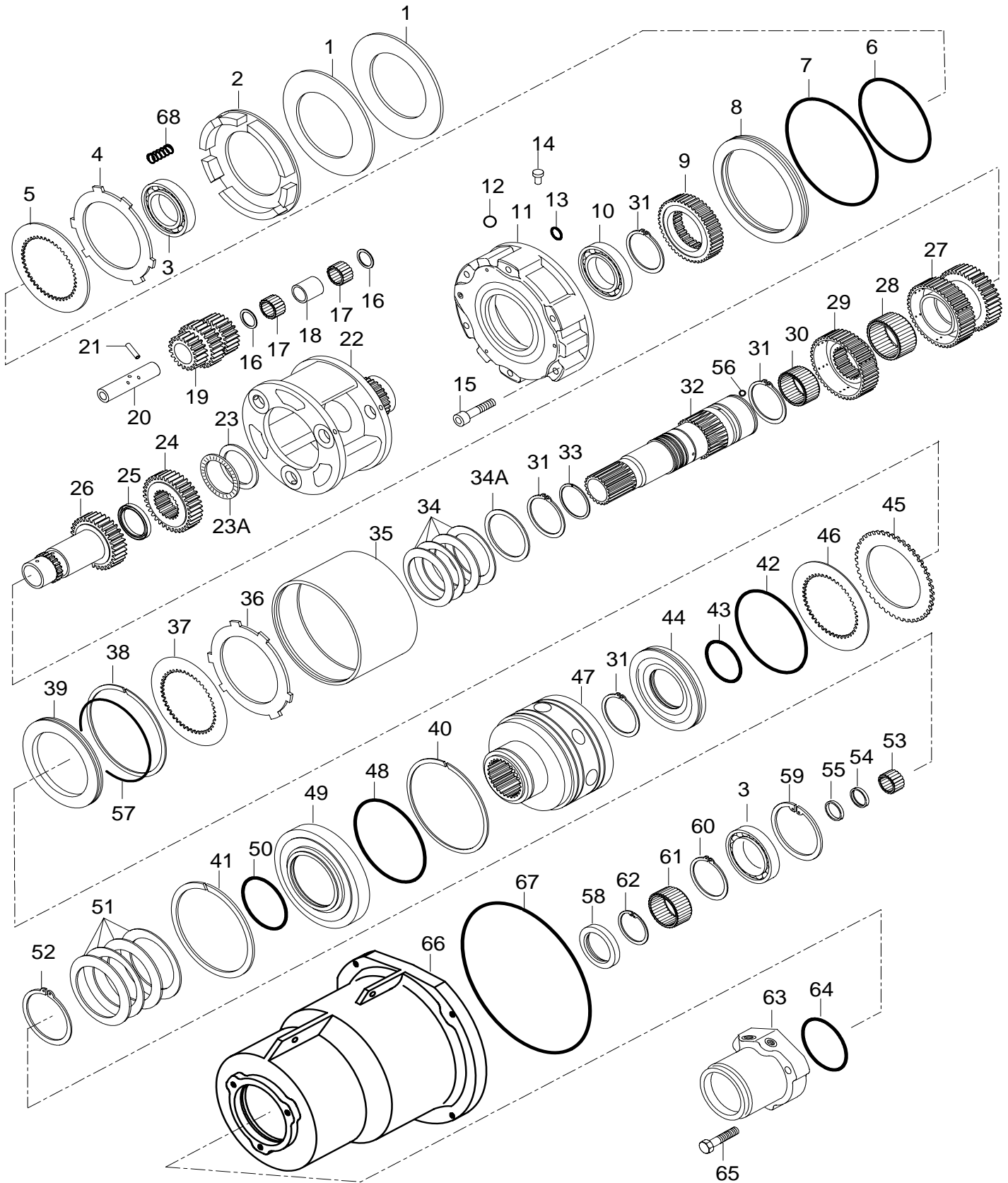




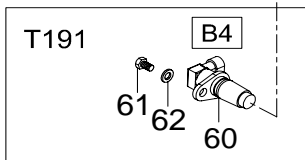
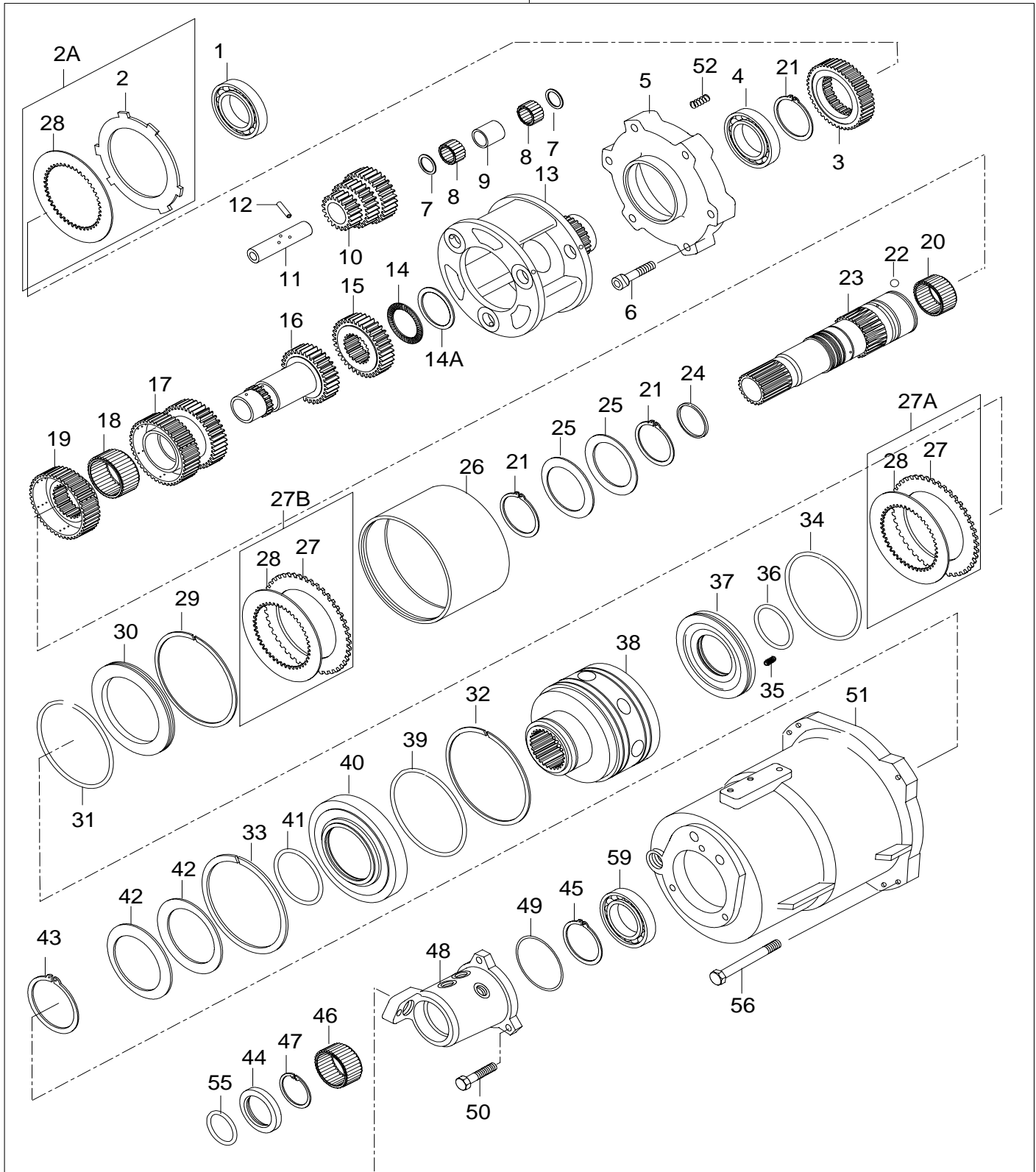


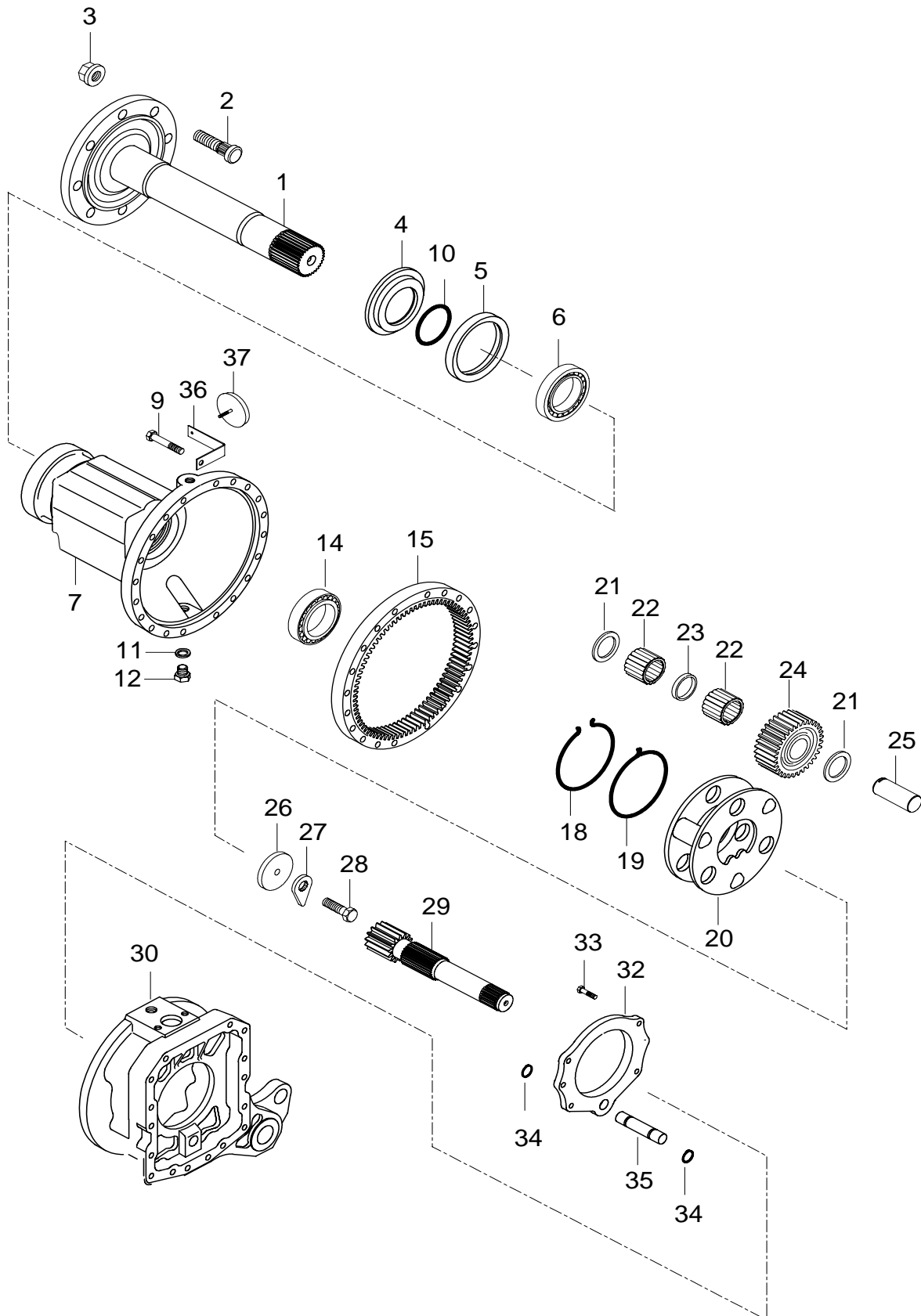


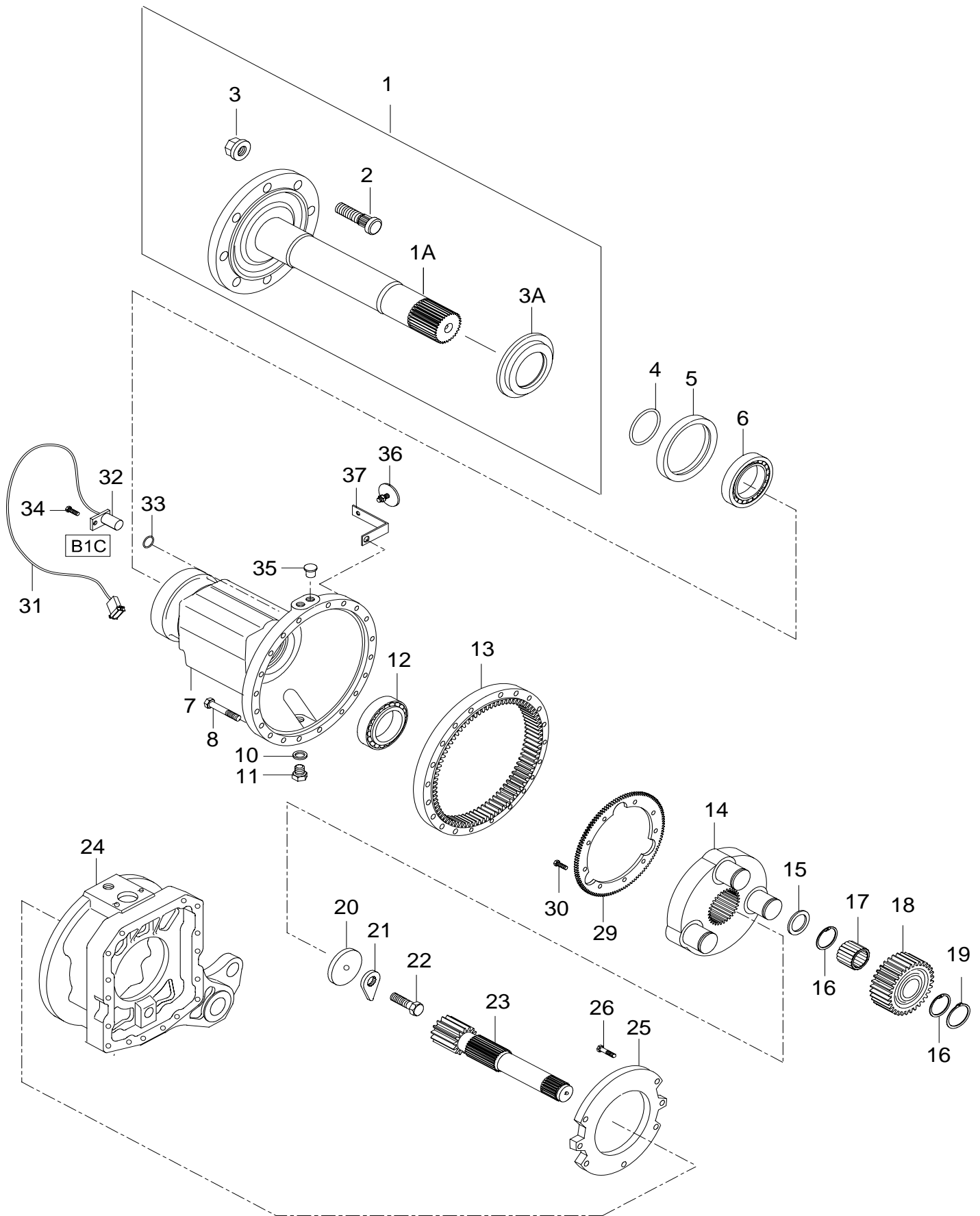




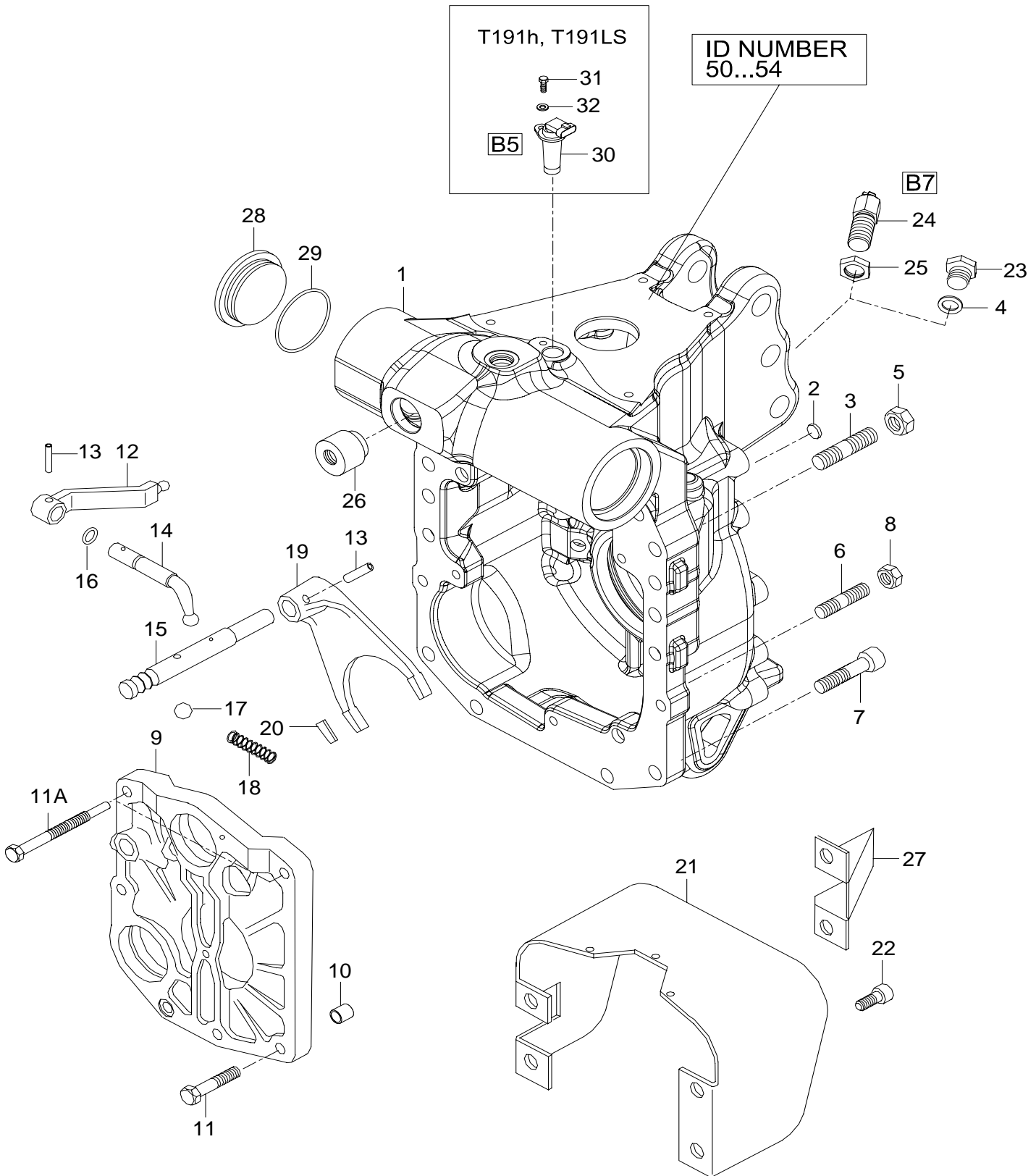
1A

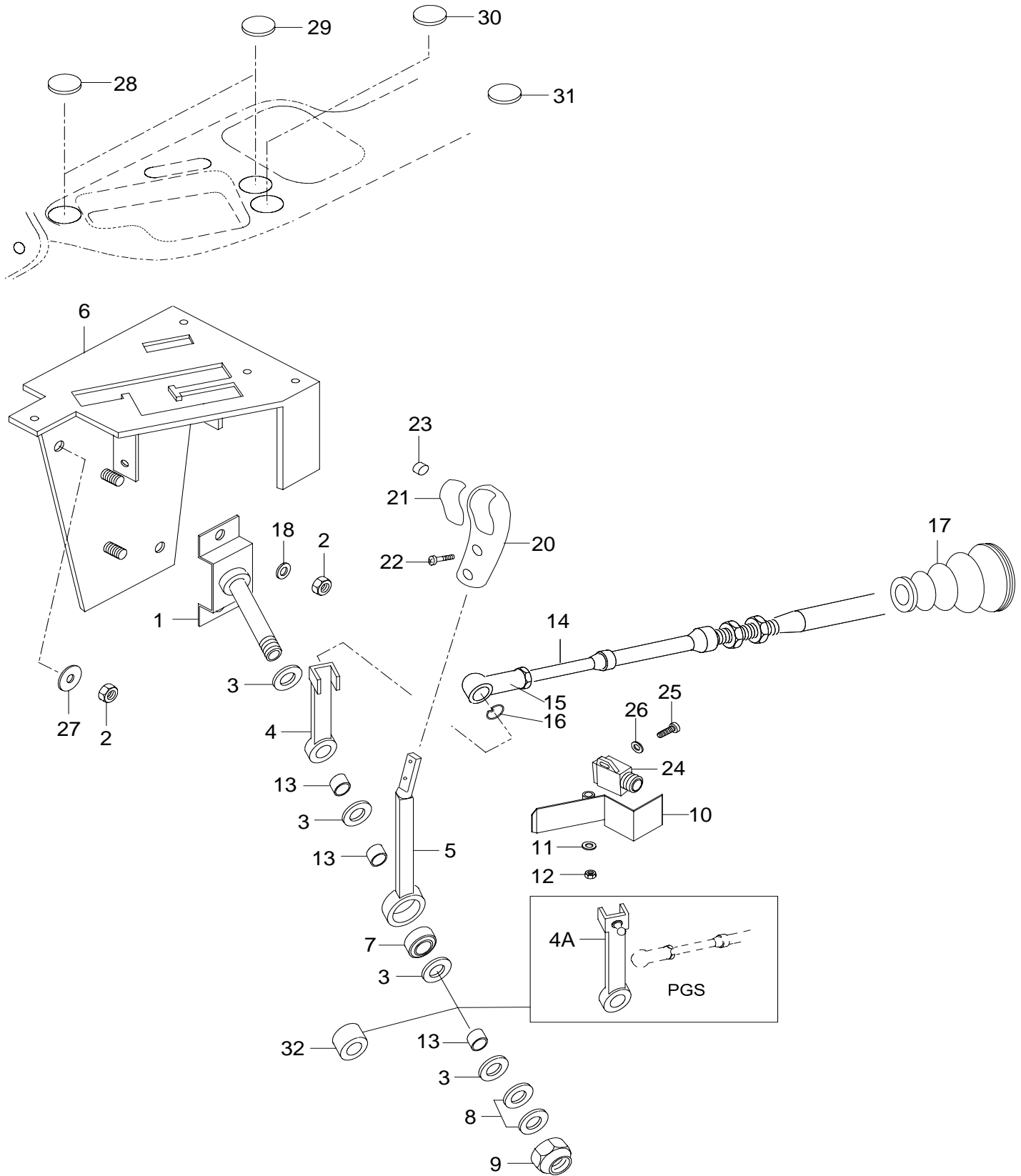


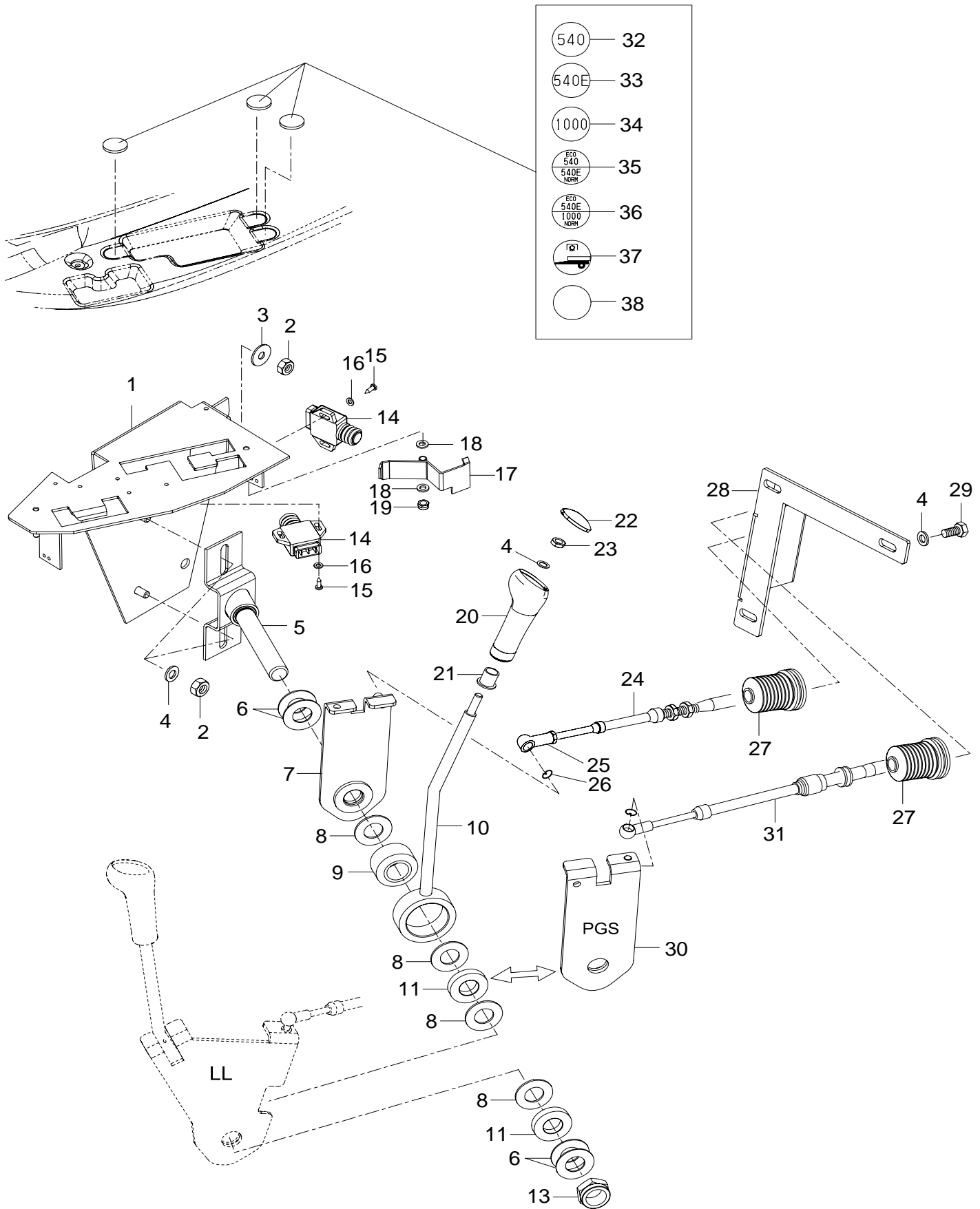


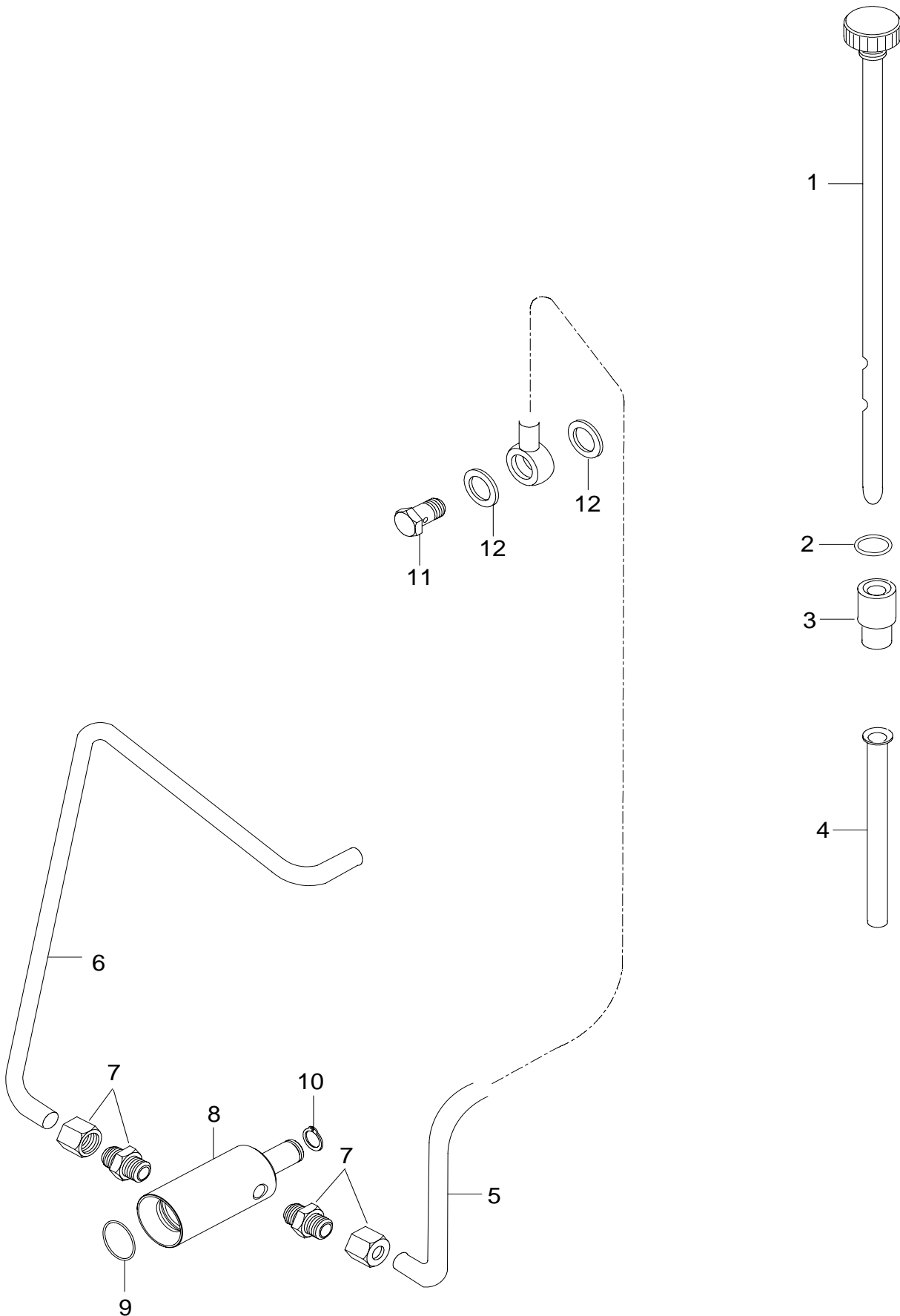


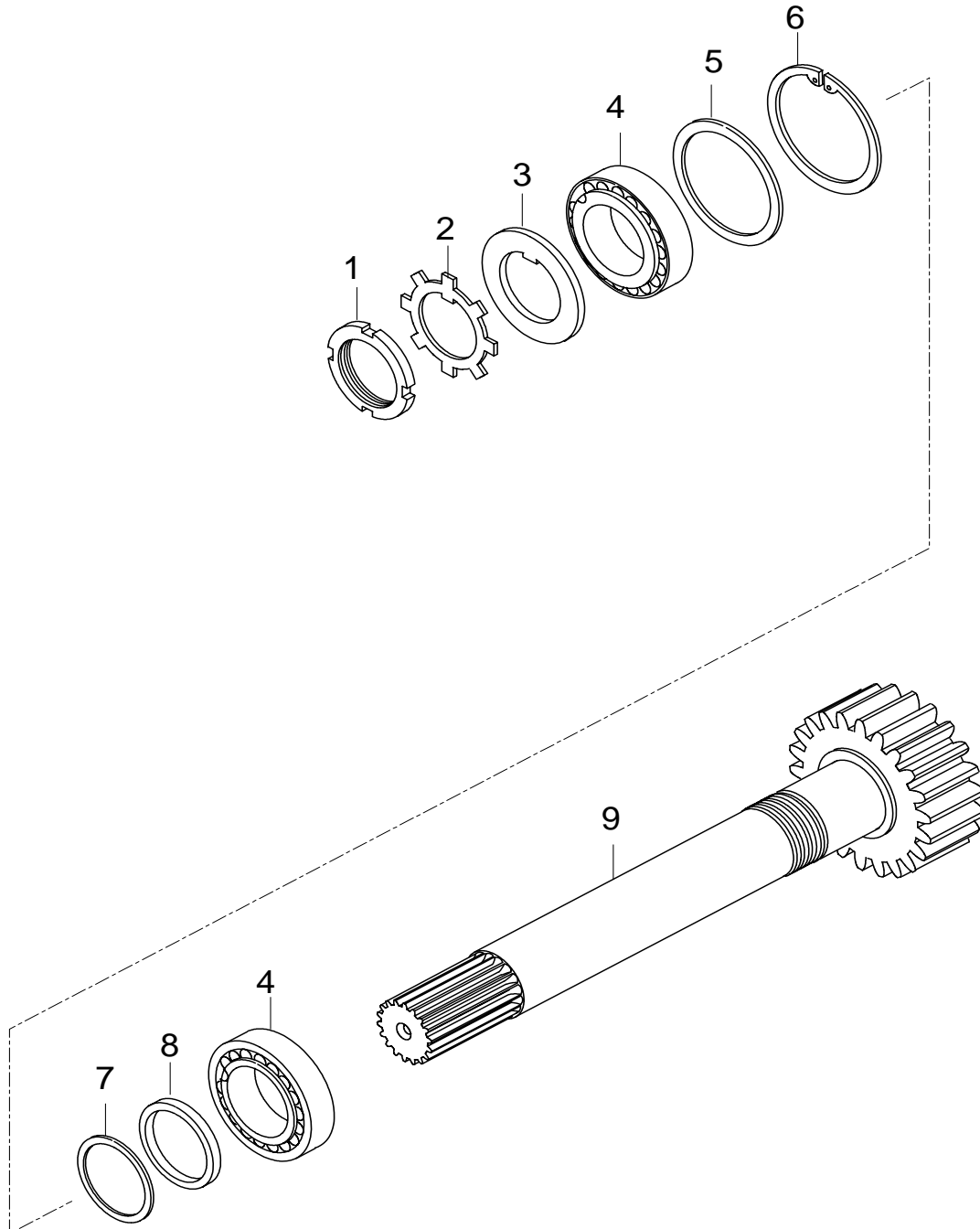
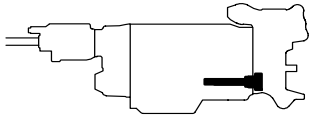
1.6.2007
 T121c, T121h, T131c, T131h,
 T151eh, T151eLS, T161c, T161h,
 T161LS, T171c, T171h, T171LS,
 T191h, T191LS





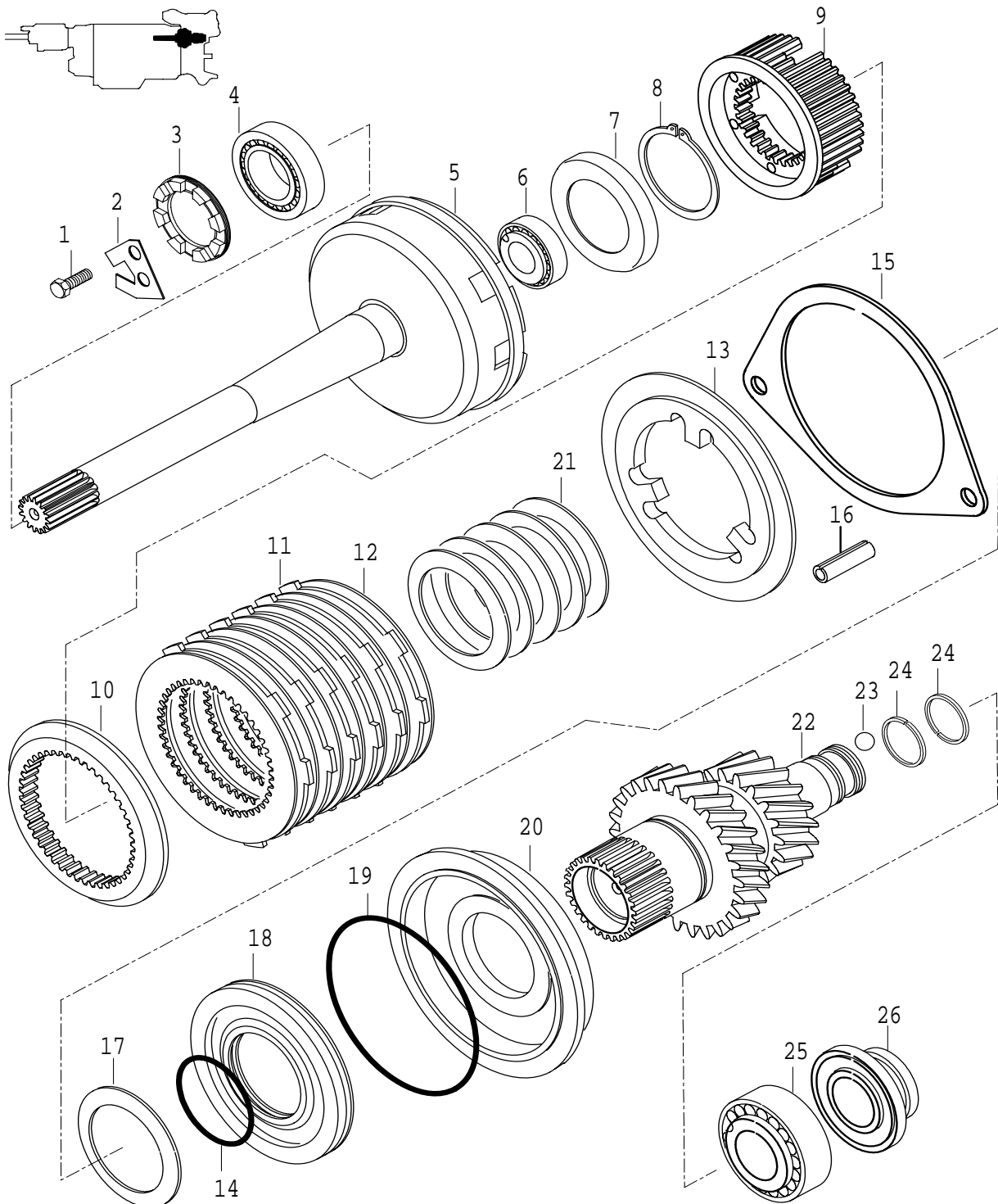






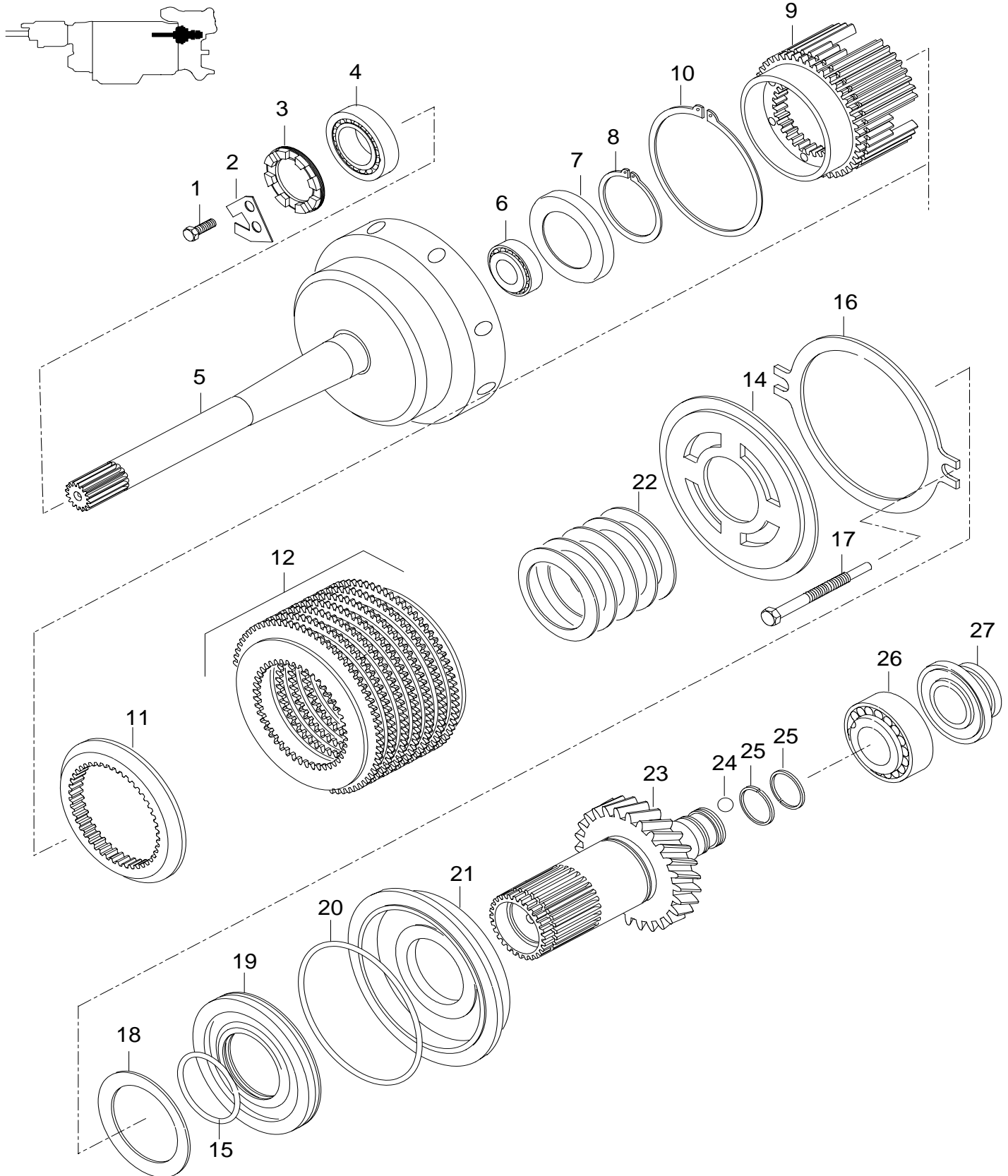
1.6.2007

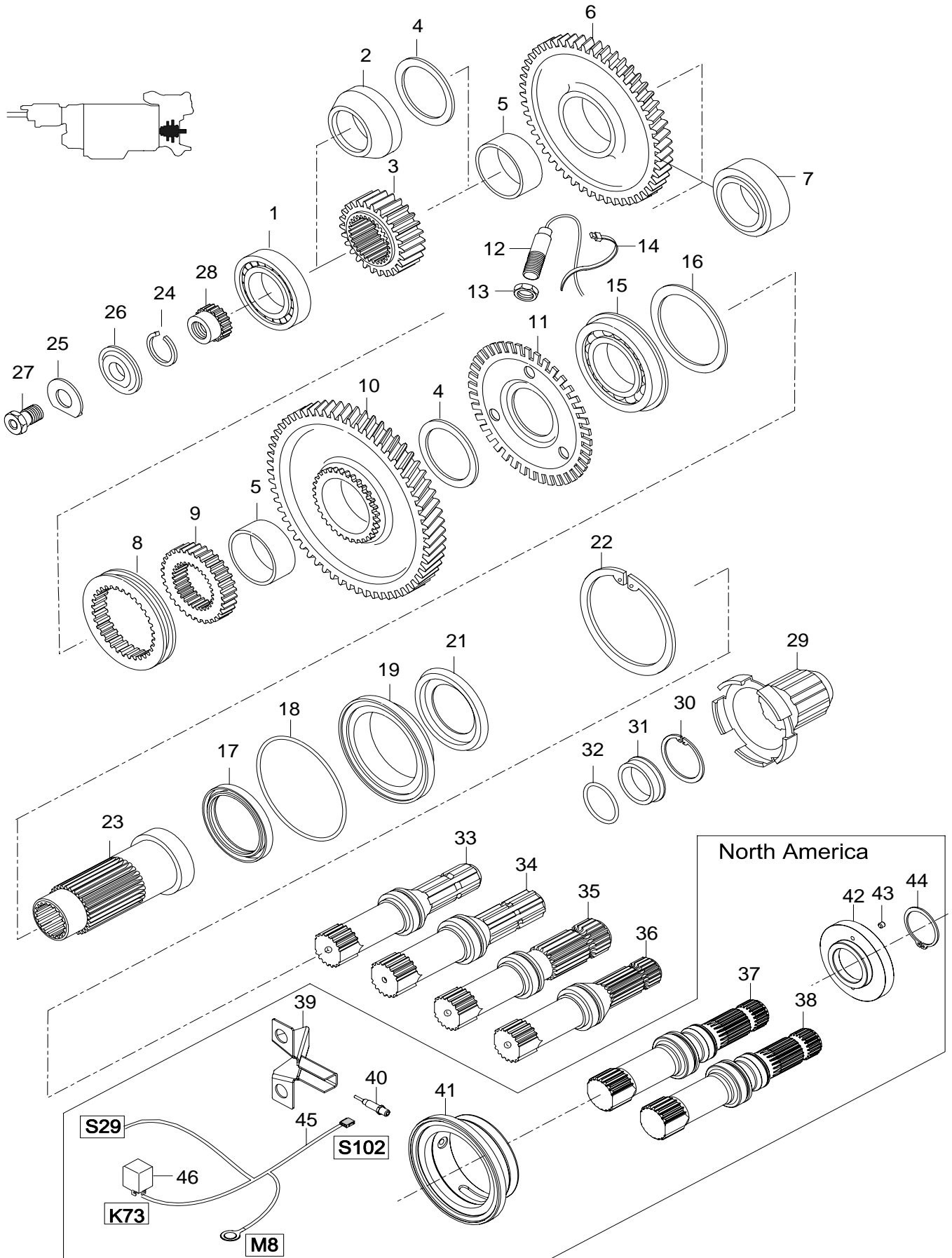
T121c, T121h, T131c, T131h,
T151eh, T151eLS, T161c, T161h,
T161LS, T171c, T171h, T171LS,
T191h, T191LS



1.6.2007

T121c, T121h, T131c, T131h,
T151eh, T151eLS, T161c, T161h,
T161LS, T171c, T171h, T171LS,
T191h, T191LS





| | | | | | |
|-----------------------------------|---|---|-----------------------------|---|--|
| VOIMANOTTOAKSELI (LISÄVARUSTE) | KRAFTUTTAGAXEL (EXTRA UTRUSTNING) | POWER-TAKE-OFF SHAFT (OPTIONAL EQUIPMENT) | ZAPTWELLE (EXTRAZUBEHÖR) | ARBRE DE PRISE DE FORCE (EQUIPEMENT OPTIONNEL) | 49-01 1.6.2007 T121c, T121h, T131c, T131h, T151eh, T151eLS, T161c, T161h, T161LS, T171c, T171h, T171LS, T191h, T191LS |
|-----------------------------------|---|---|-----------------------------|---|--|

