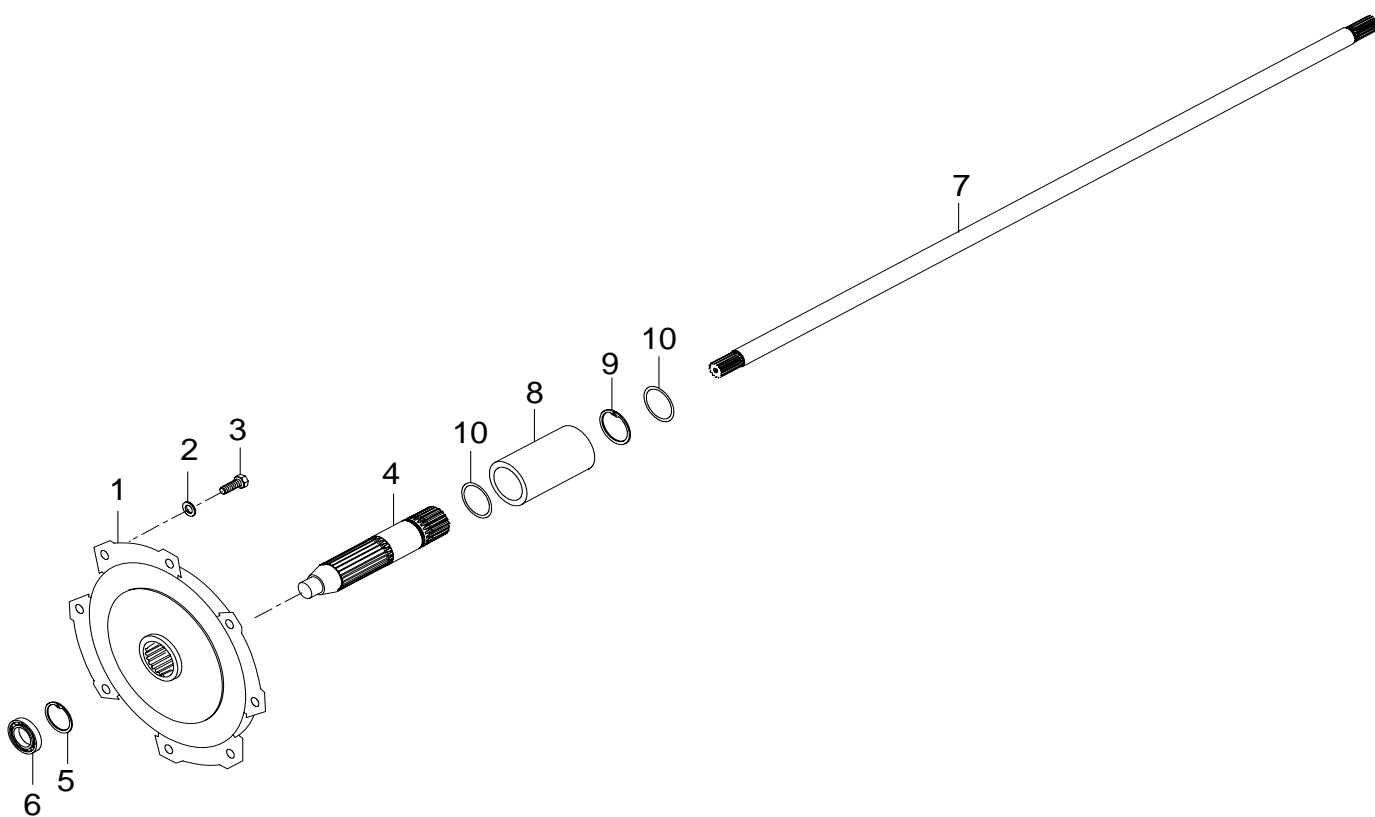
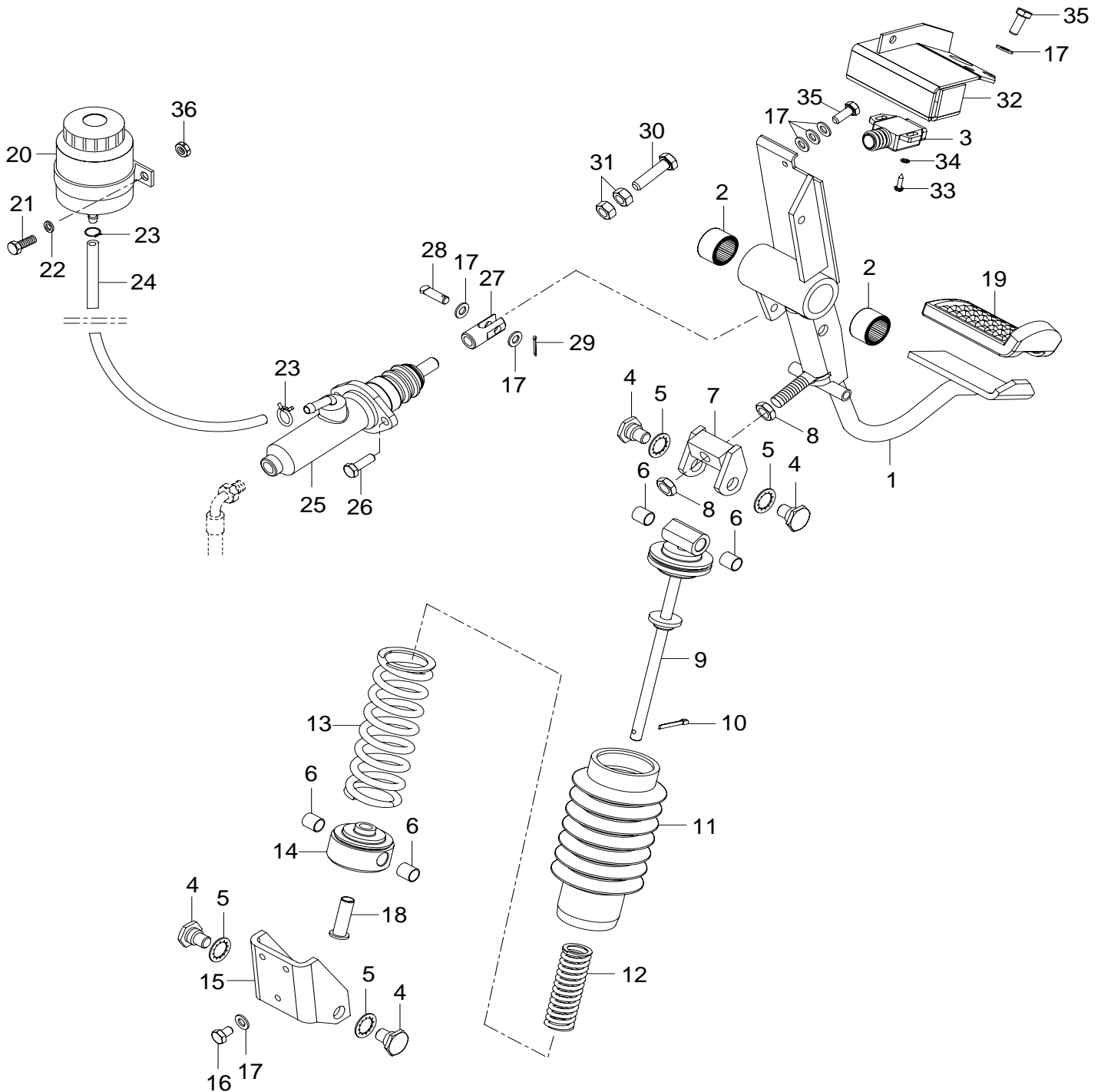
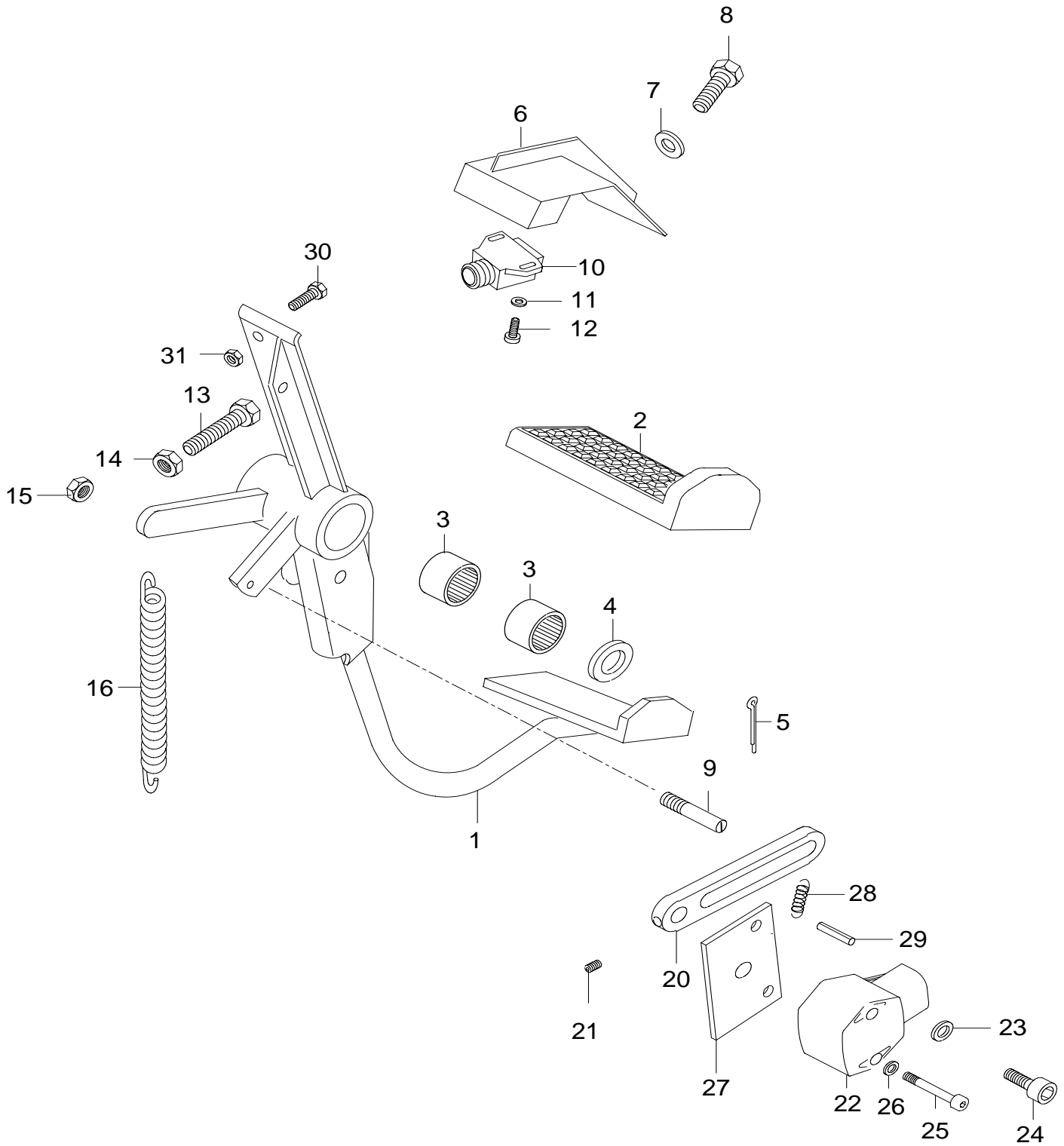
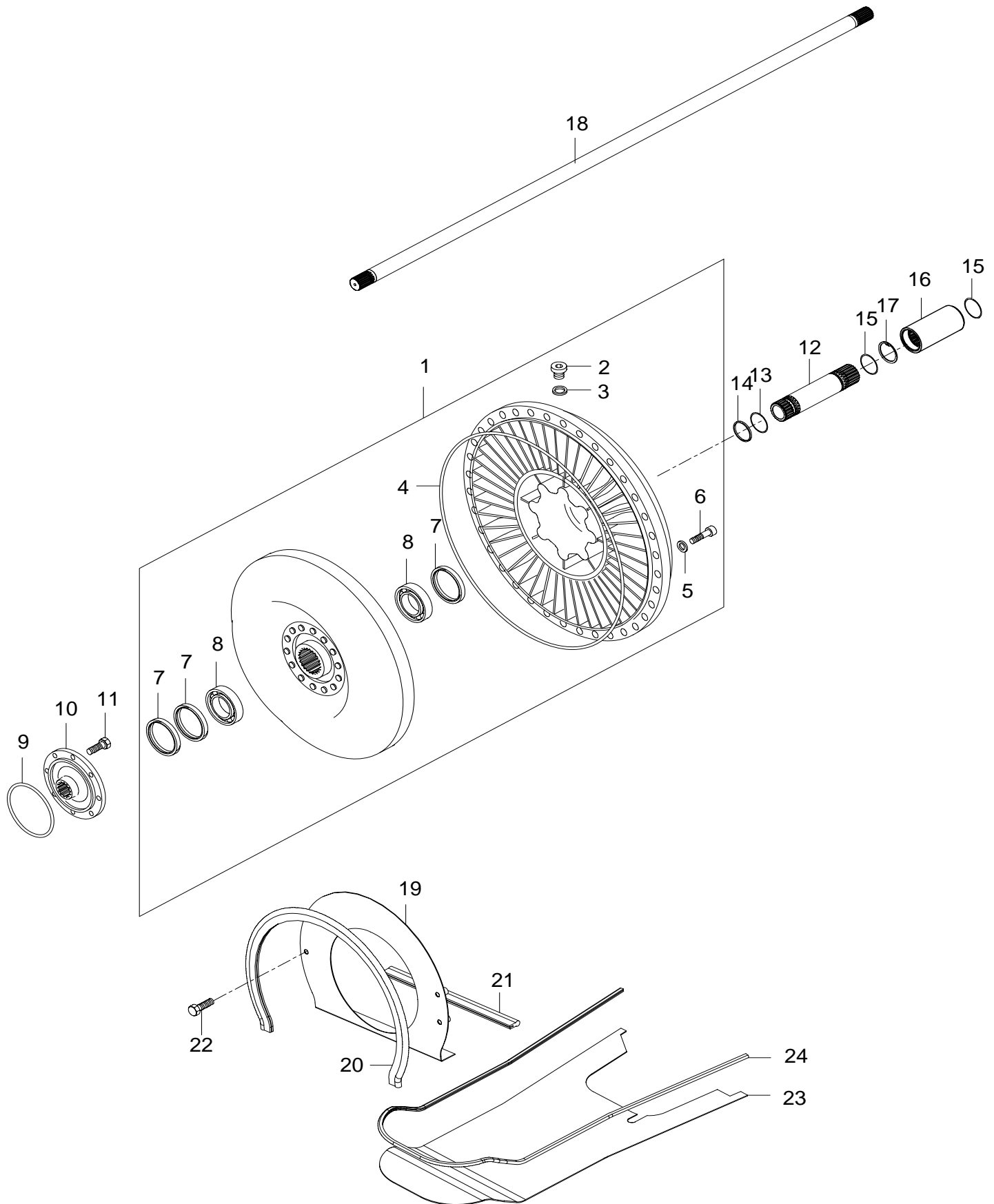


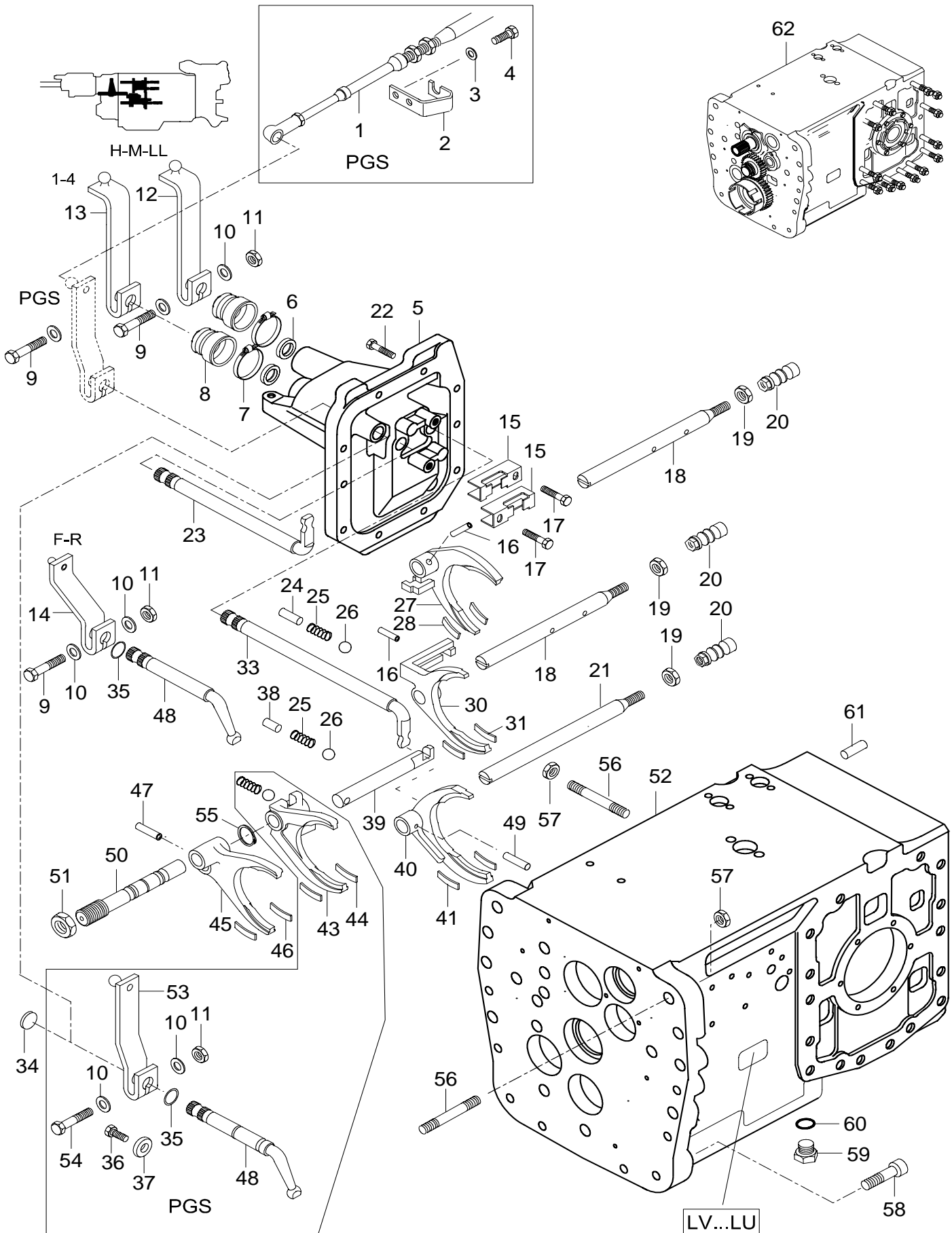
25.5.2007

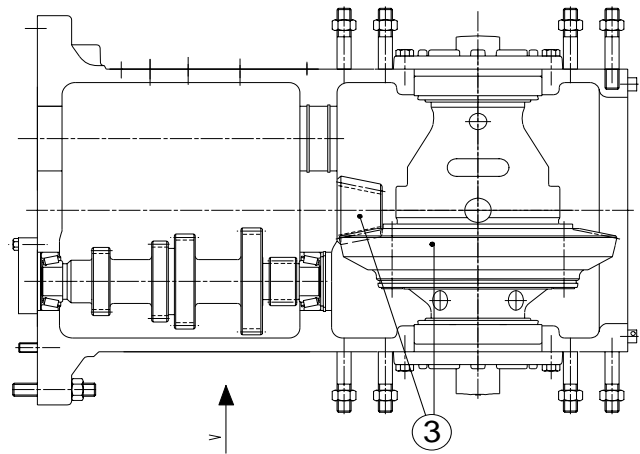
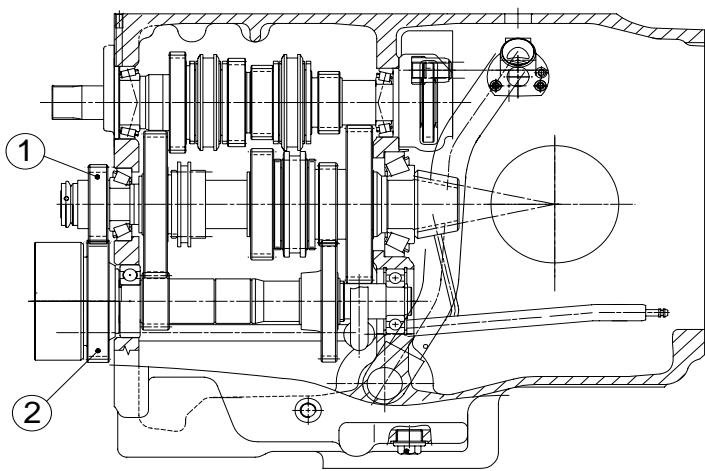
N91h, N101h, N111h,
N111eh, N121h,
N121LS, N141h, N141LS



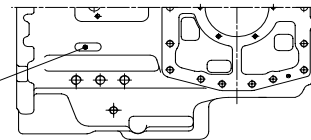




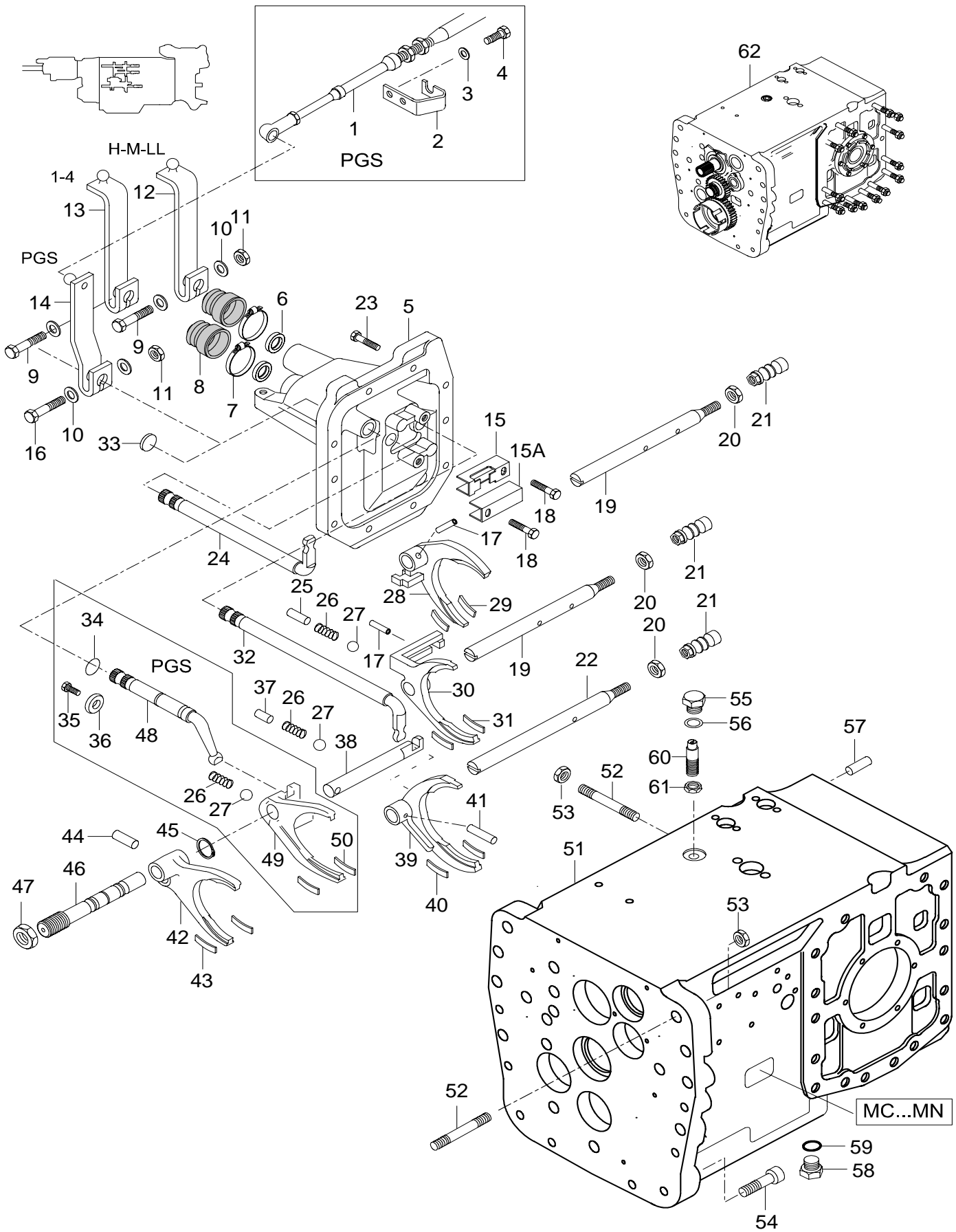




ID LETTER
TUNNISTUSKIRJAIN

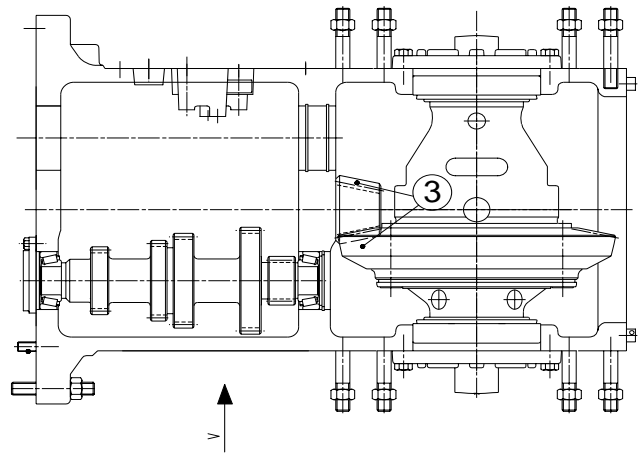
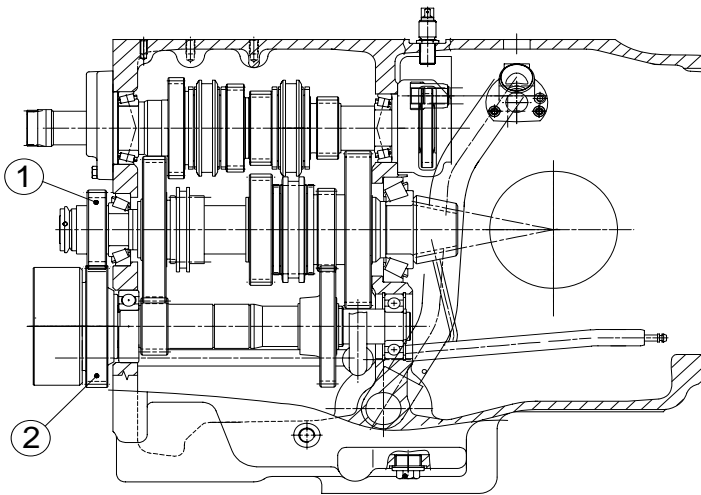


VIEW_V

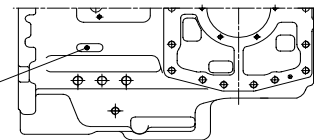


25.5.2007

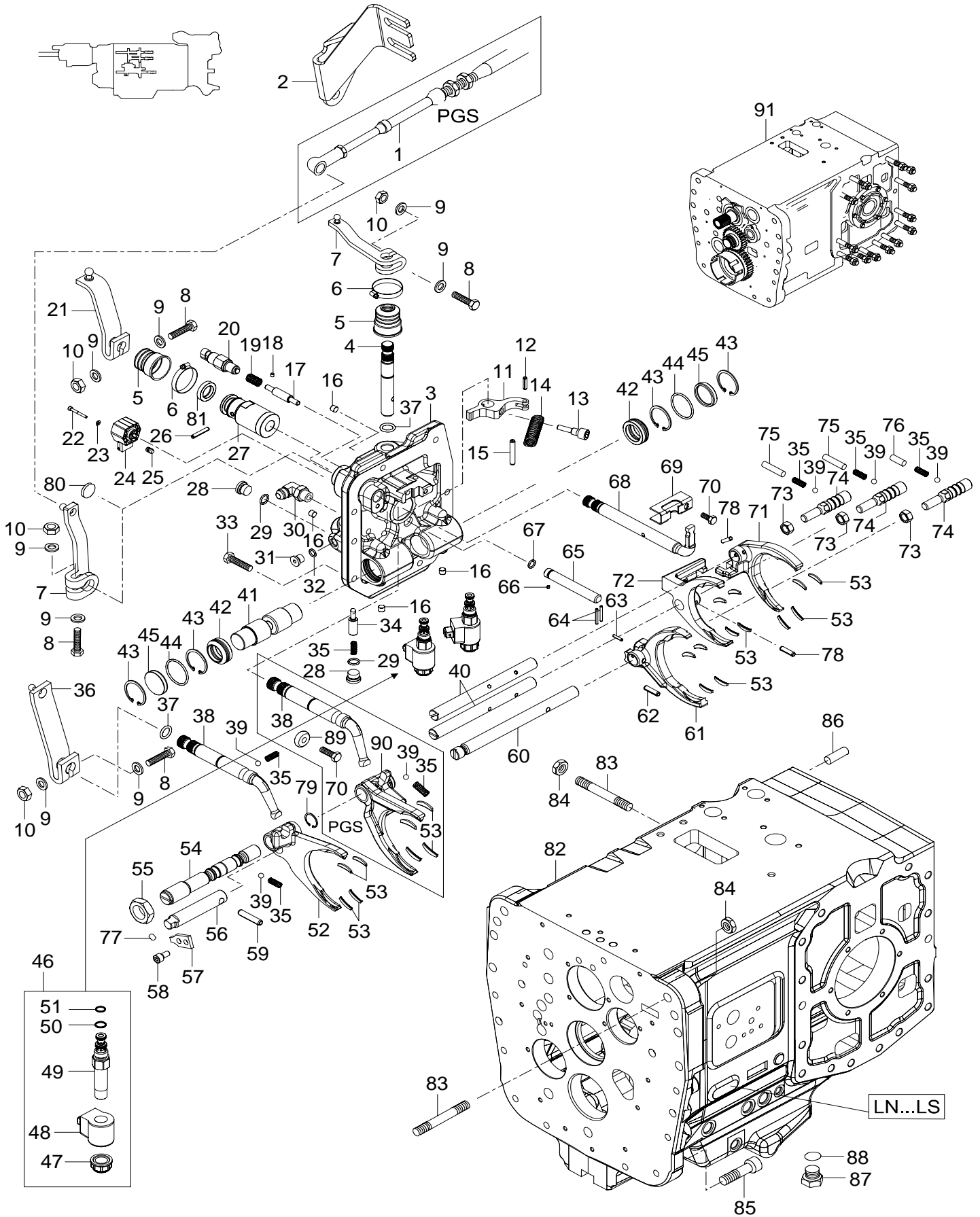
N91h, N101h, N111h,
N111eh, N121h, N141h

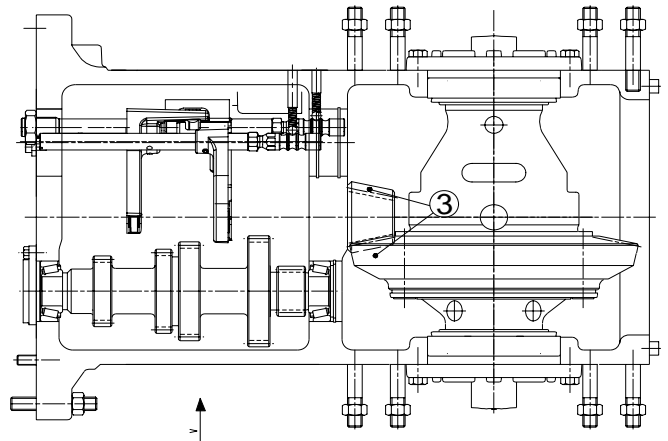
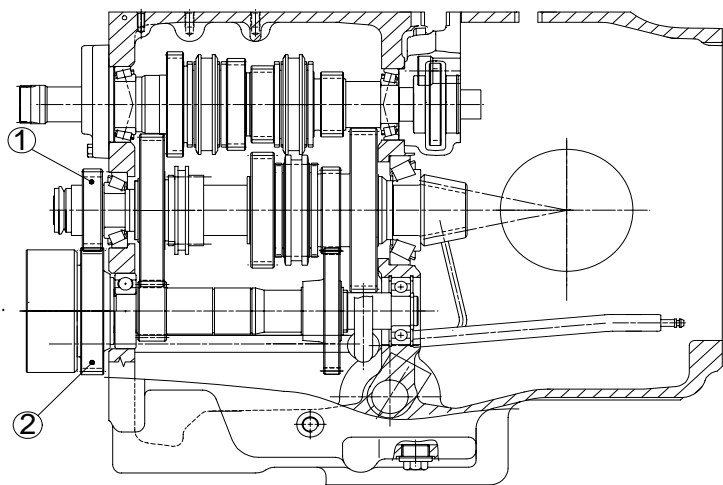


ID LETTER
TUNNISTUSKIRJAIN
NO DE IDENTIFICACAO

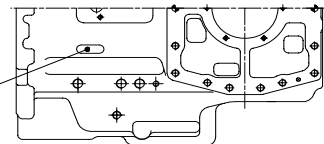


VIEW V

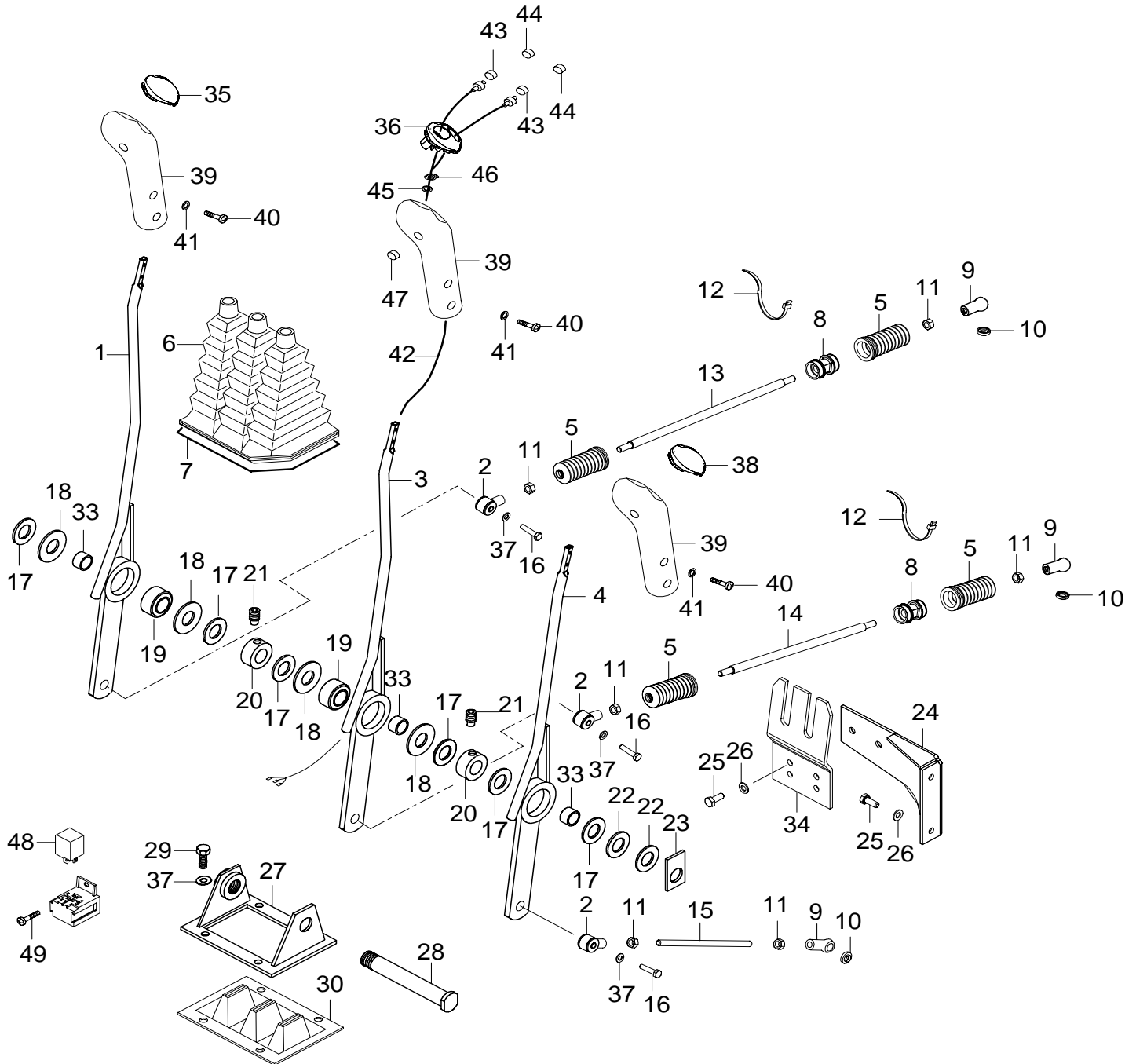


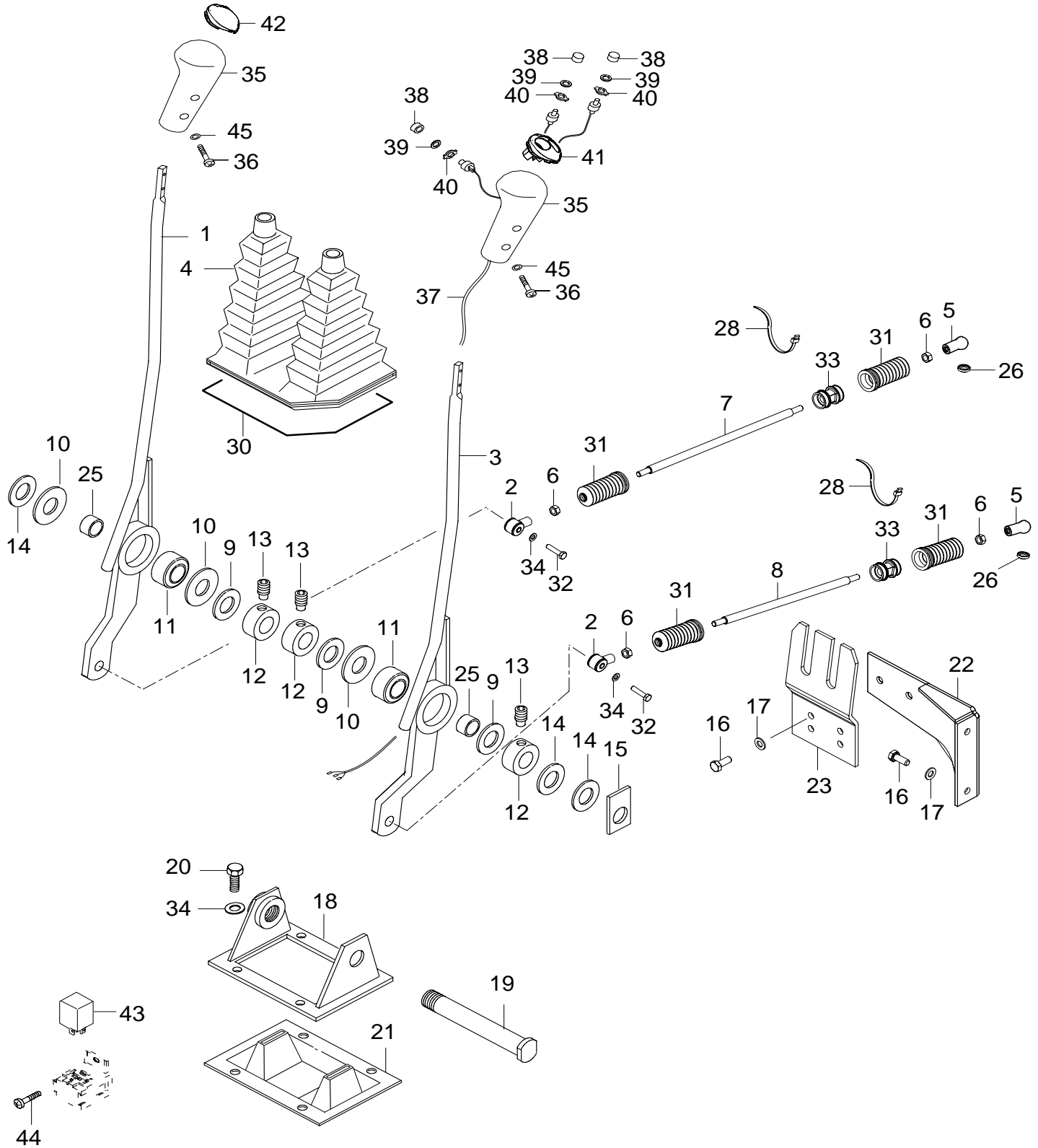


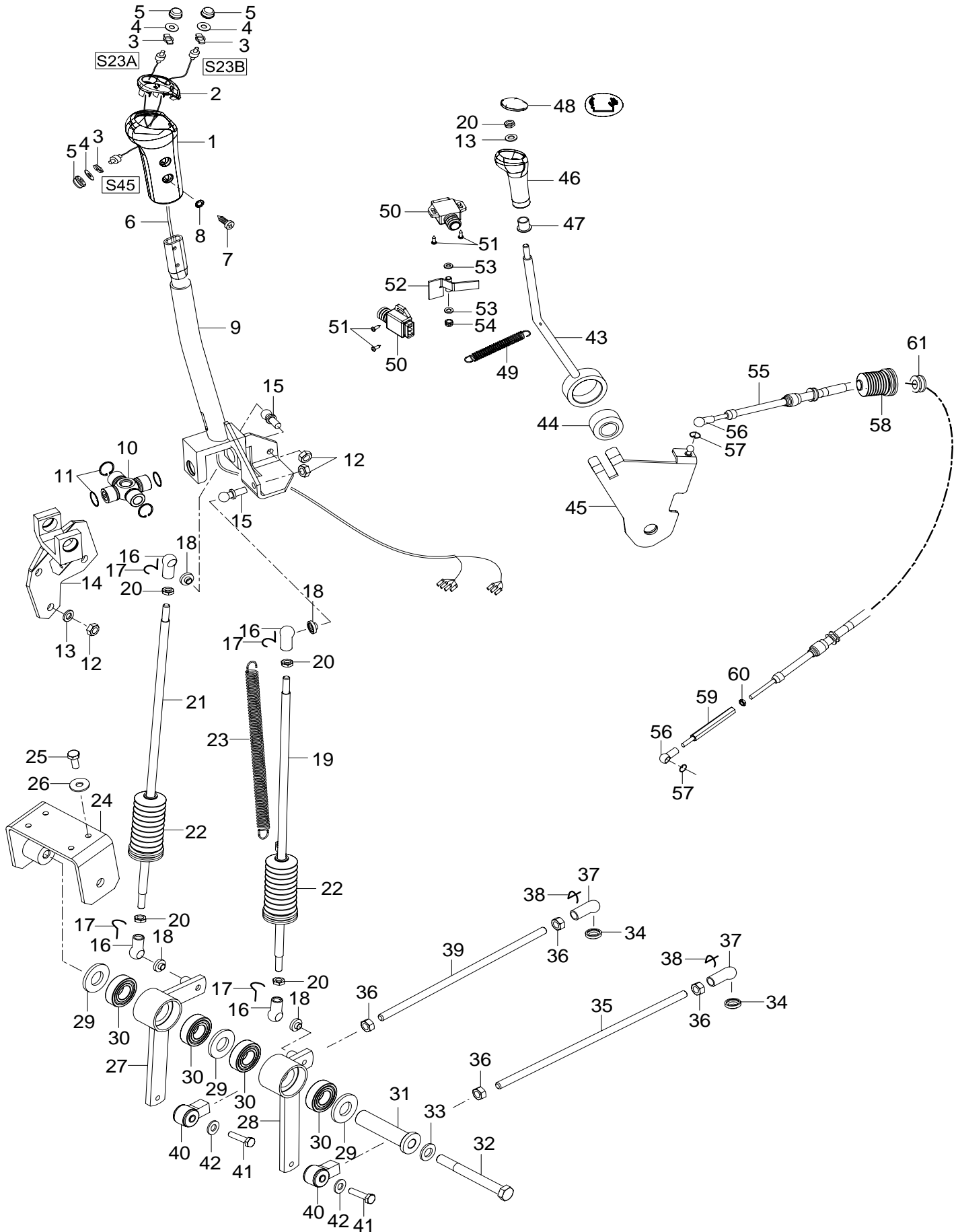
ID LETTER
TUNNISTUSKIRJAIN
NO DE IDENTIFICACAO



VIEW Y

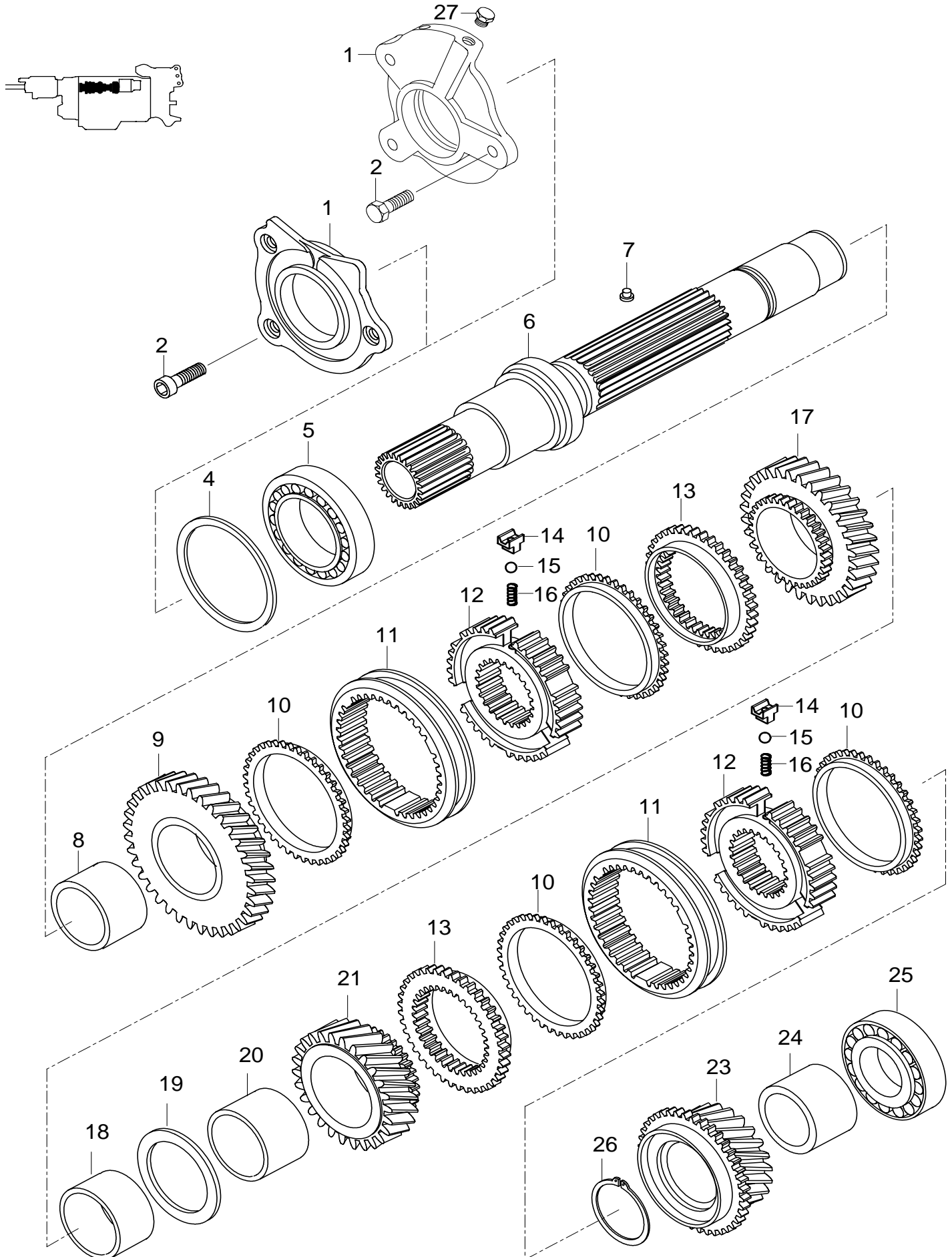




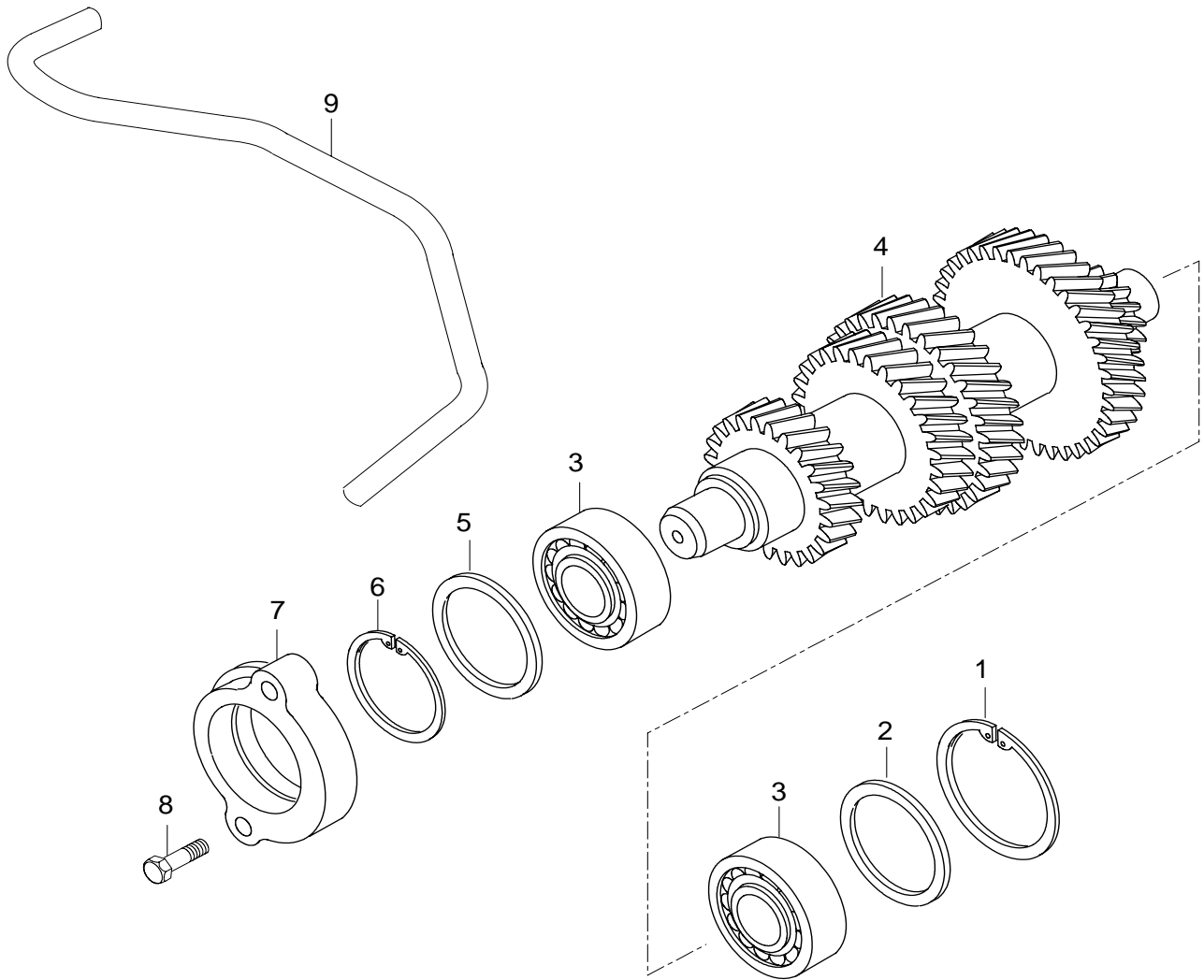
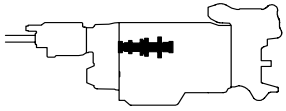


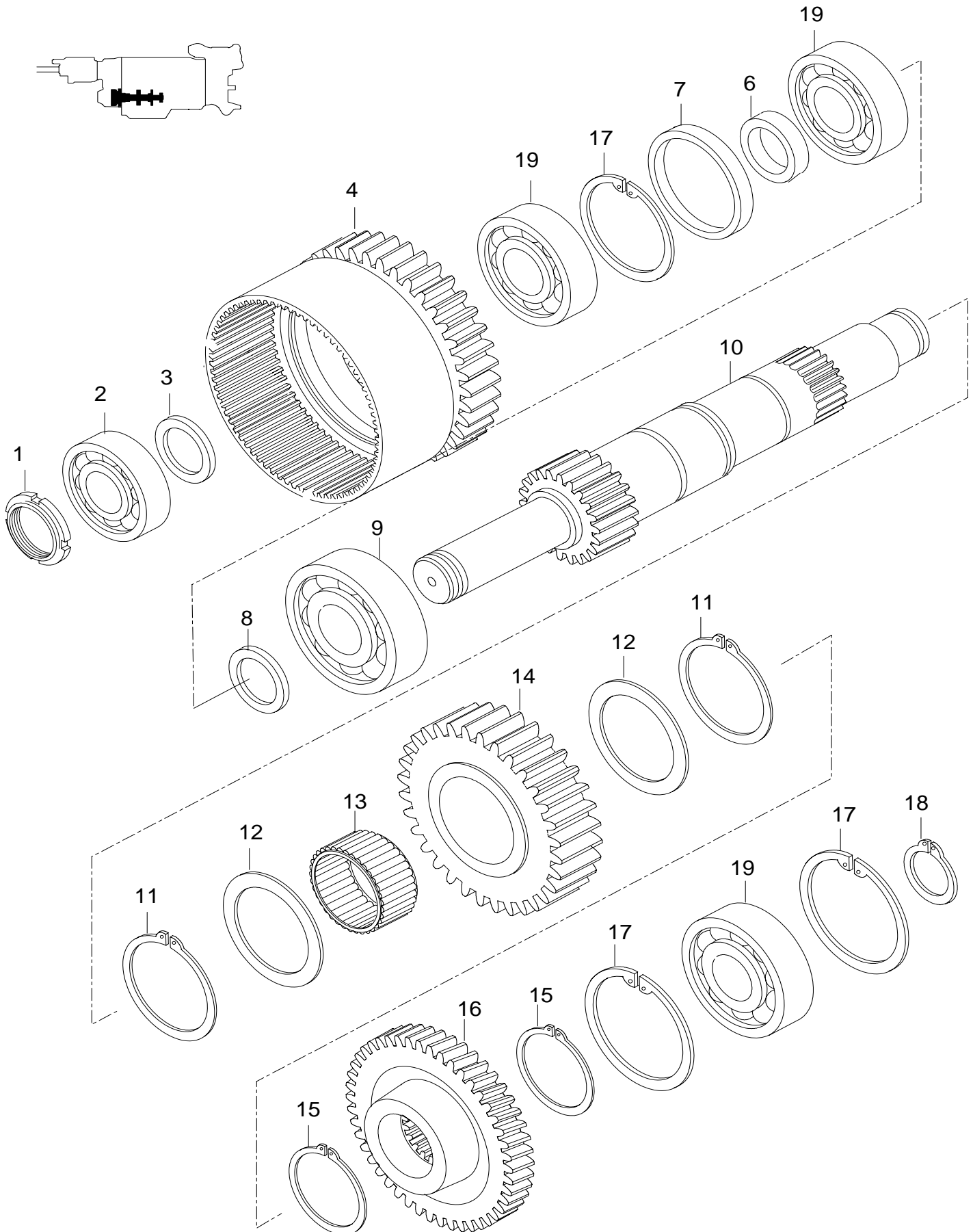
25.5.2007

N91c, N91h, N101c,
N101h, N111c, N111h,
N111eh, N121h,
N121LS, N141h, N141LS

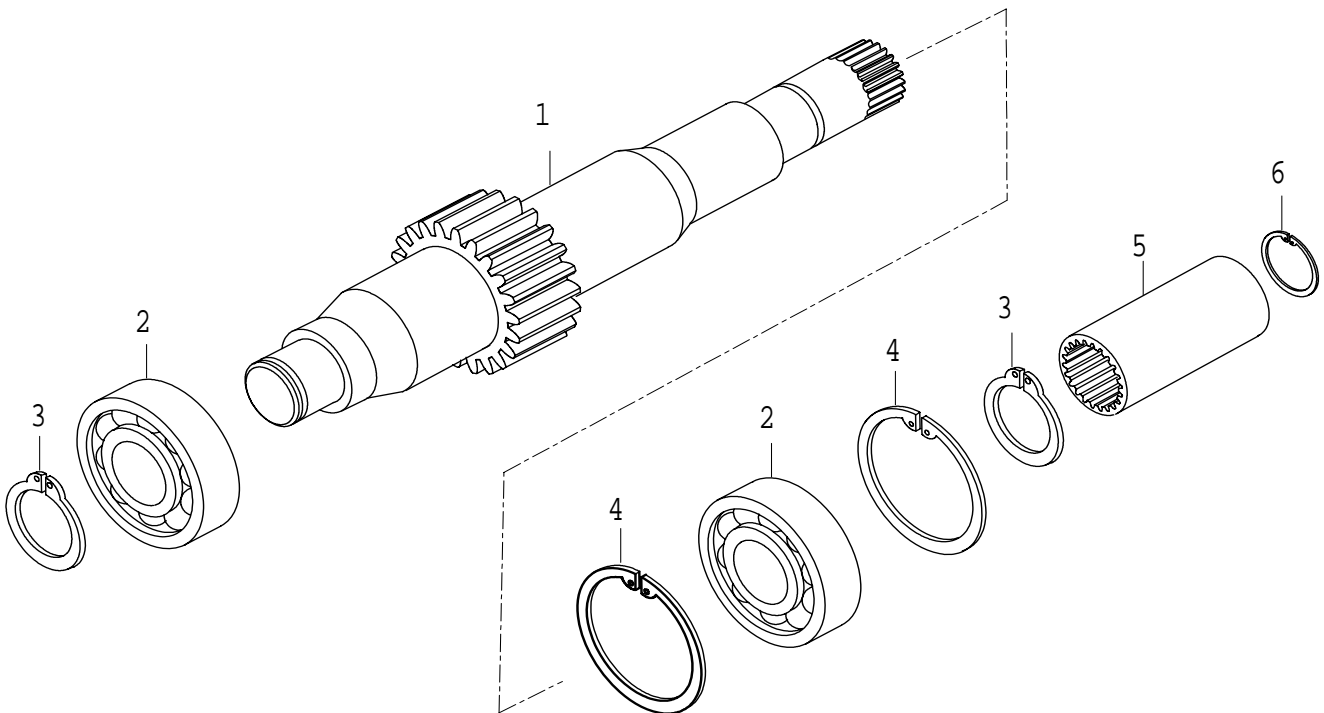
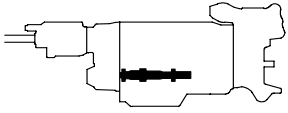


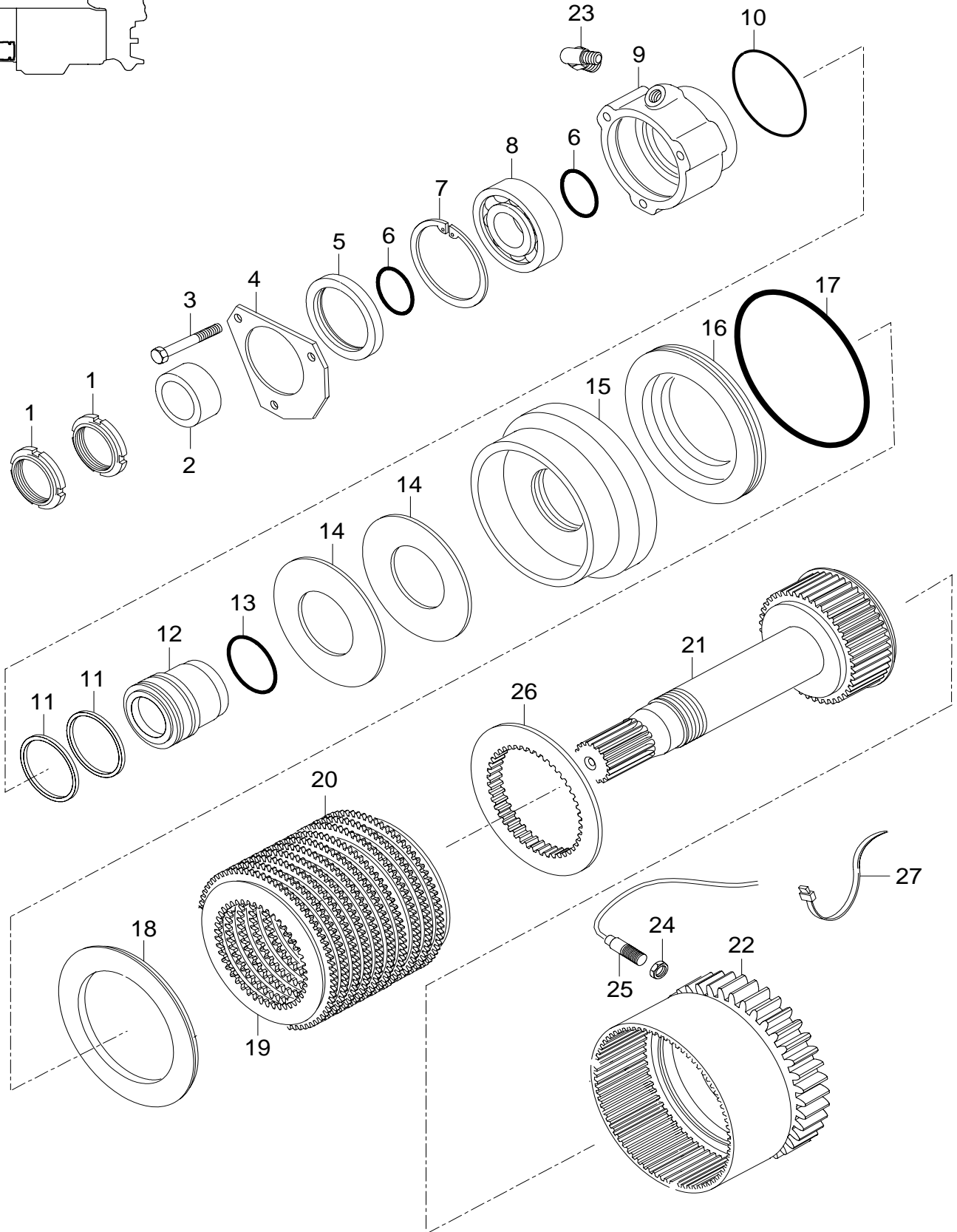
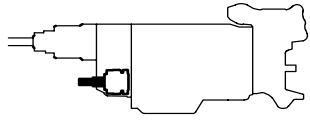
25.5.2007

N91c, N91h, N101c,
N101h, N111c, N111h,
N111eh, N121h,
N121LS, N141h, N141LS



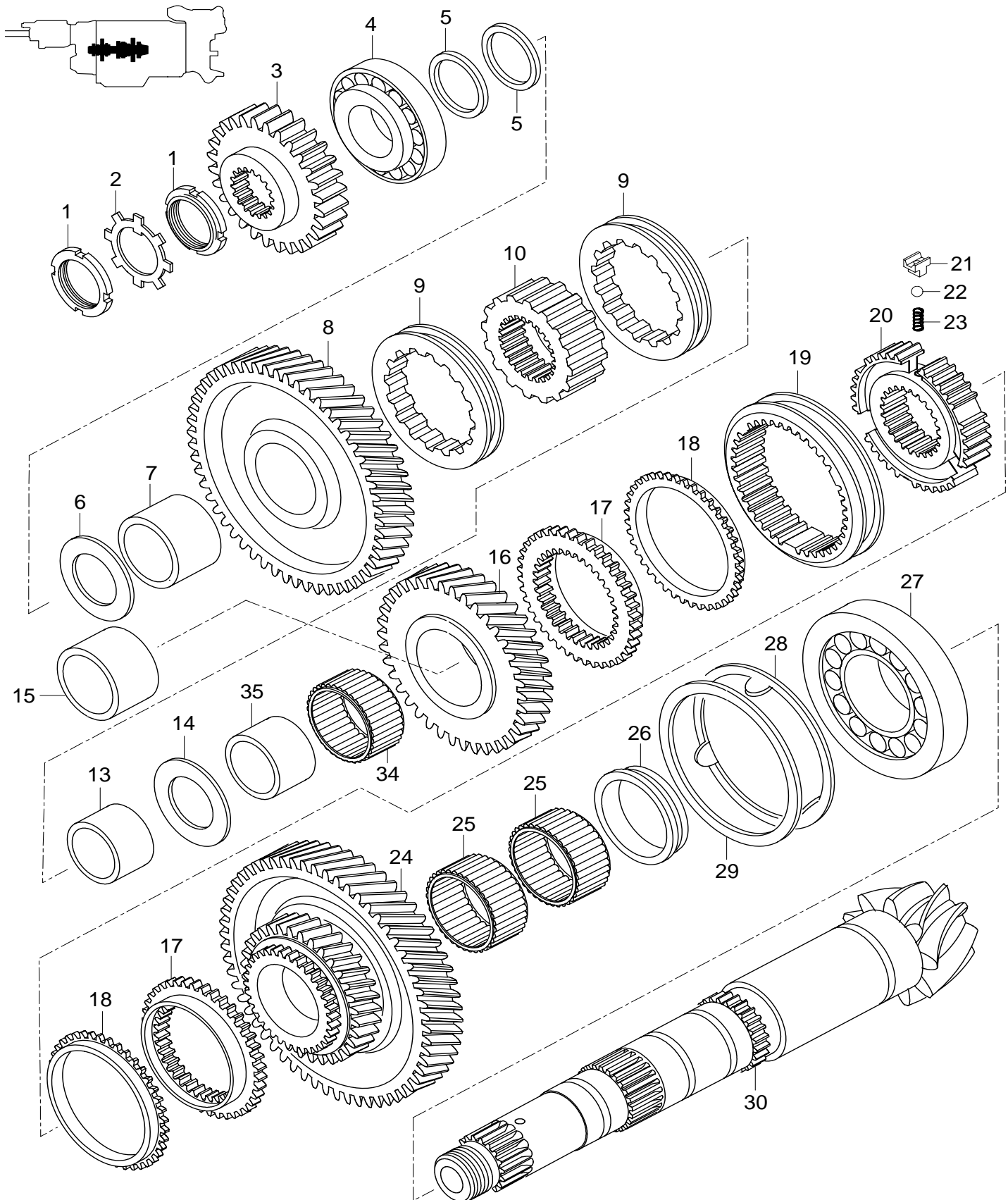
25.5.2007

N91c, N91h, N101c,
N101h, N111c, N111h,
N111eh, N121h,
N121LS, N141h, N141LS



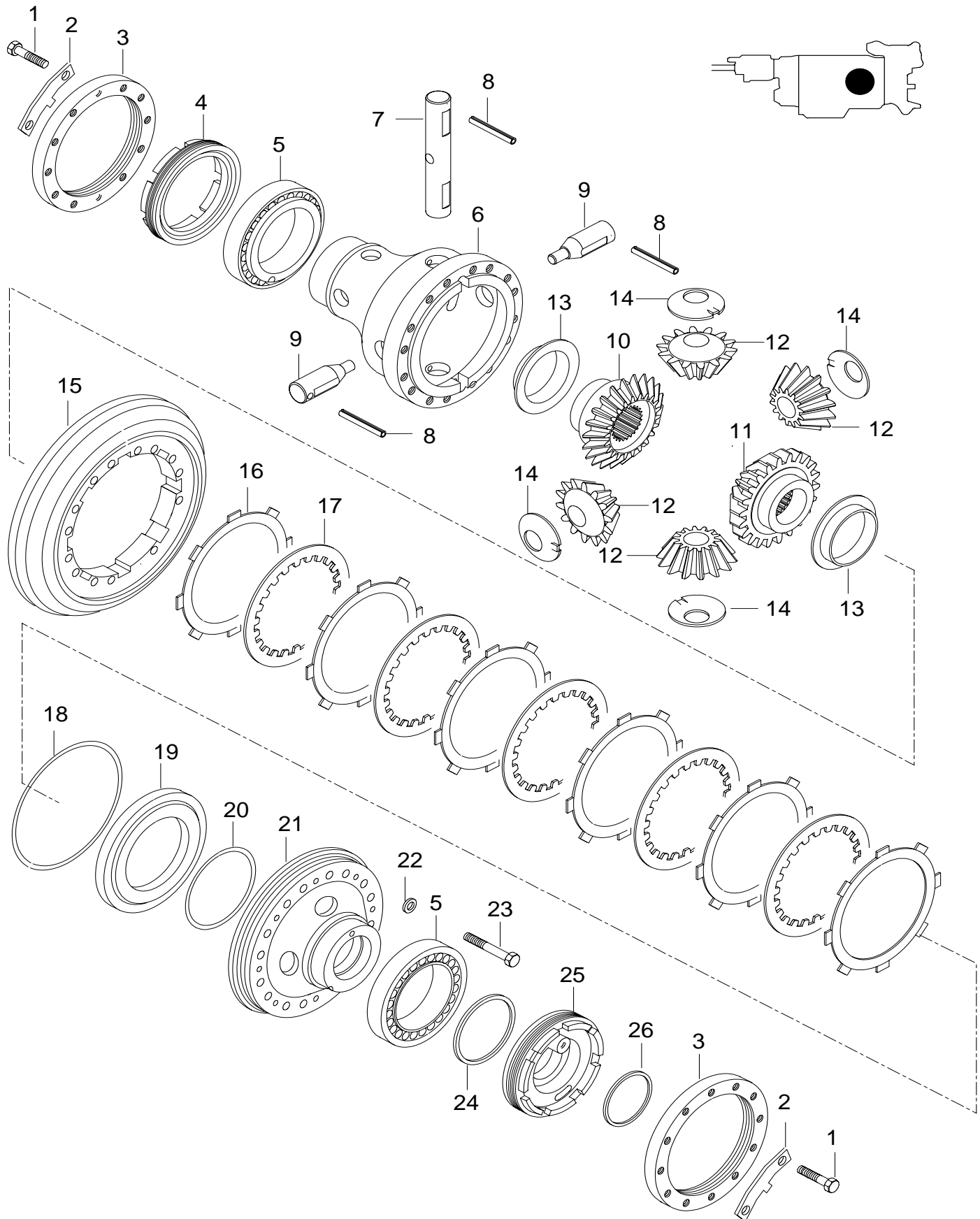
25.5.2007

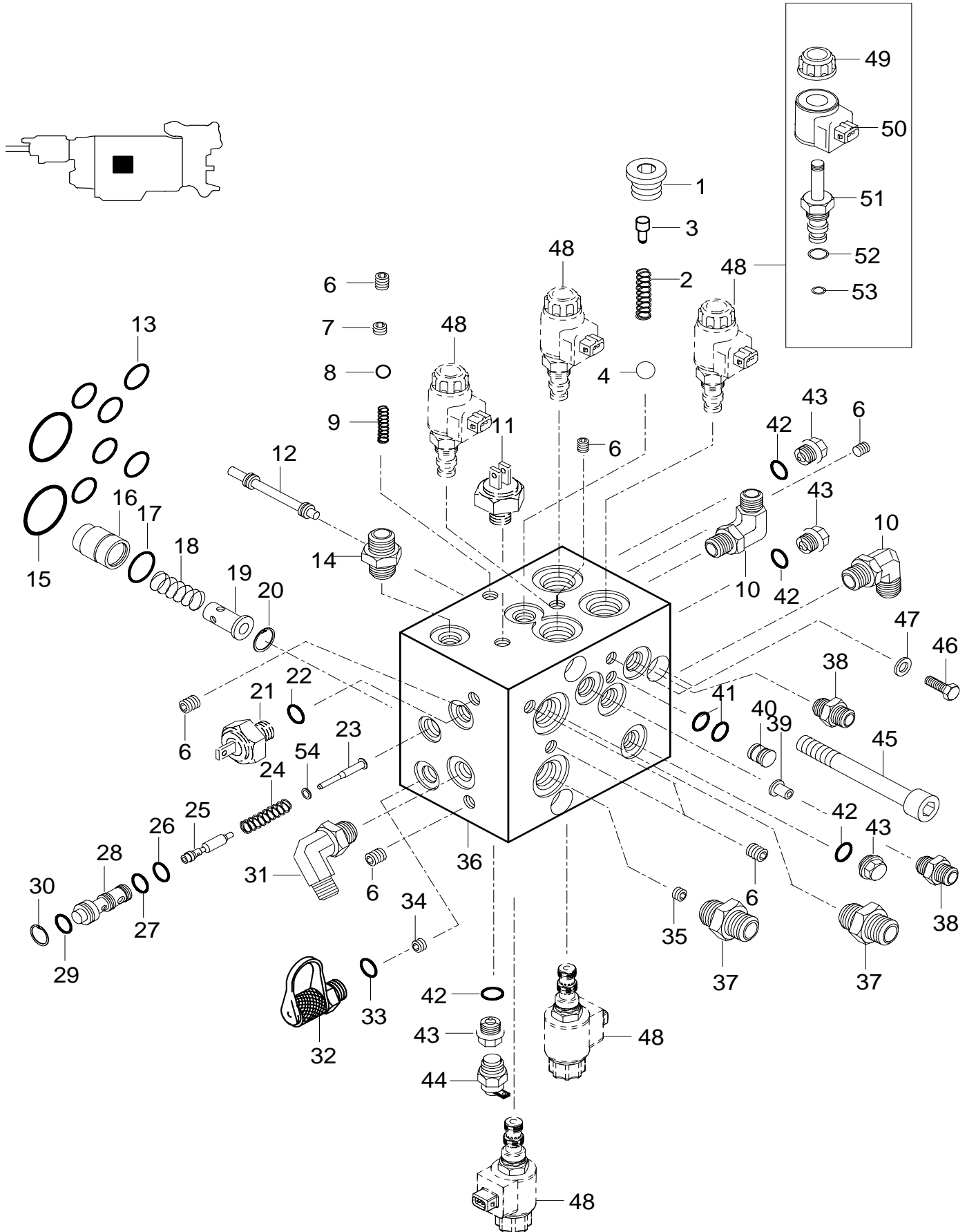
N91c, N91h, N101c,
N101h, N111c, N111h,
N111eh, N121h,
N121LS, N141h, N141LS

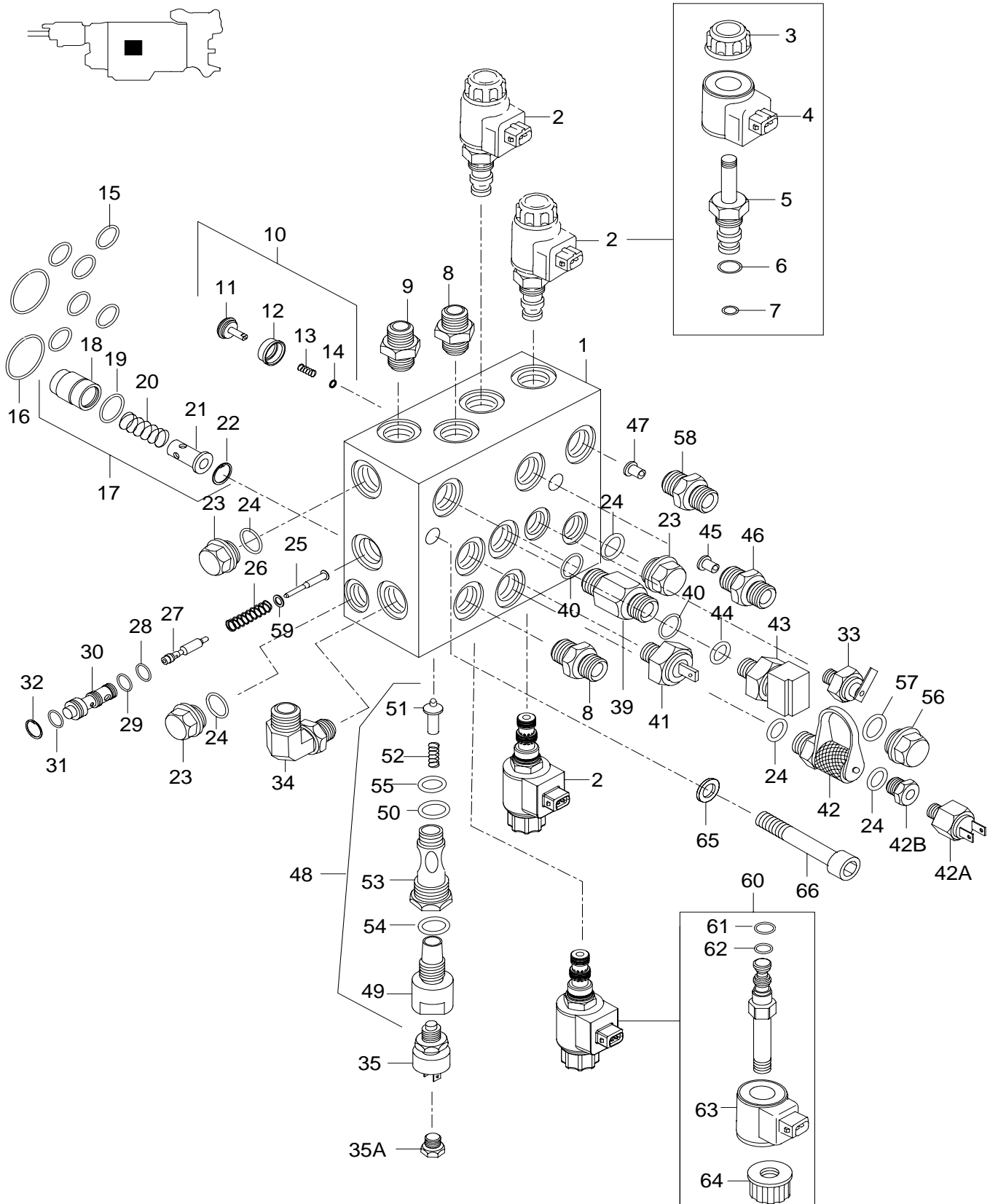


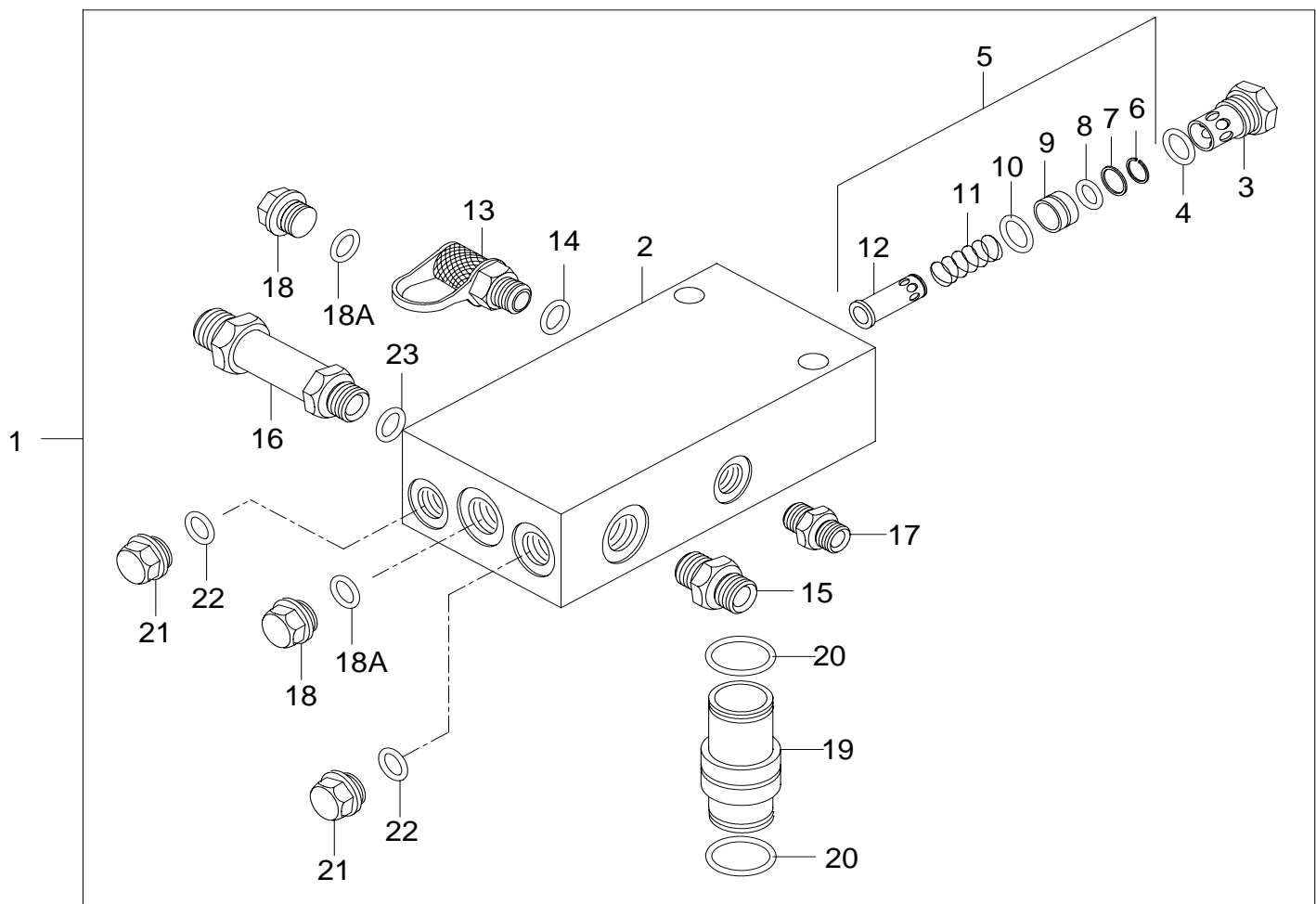
25.5.2007

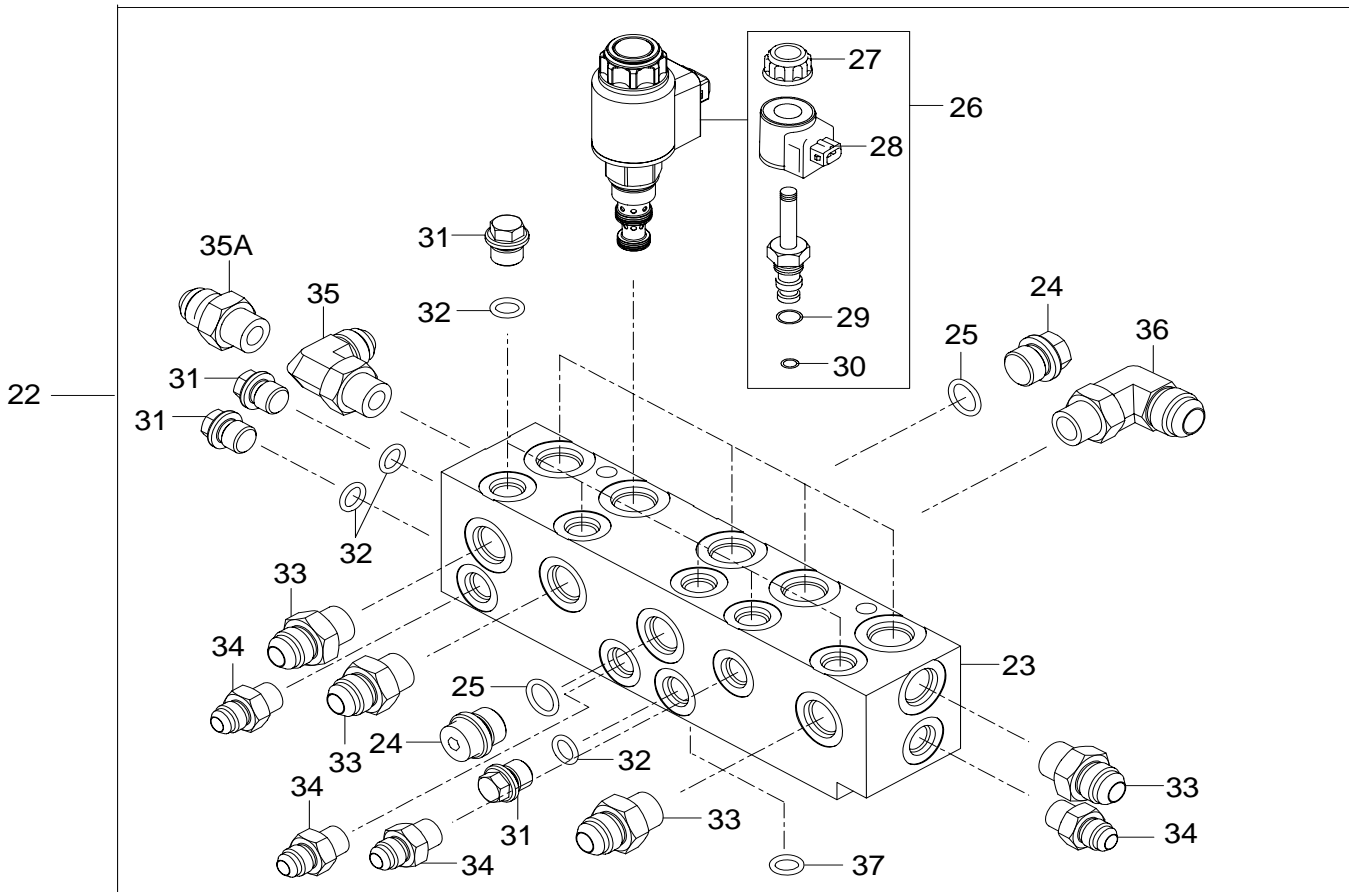
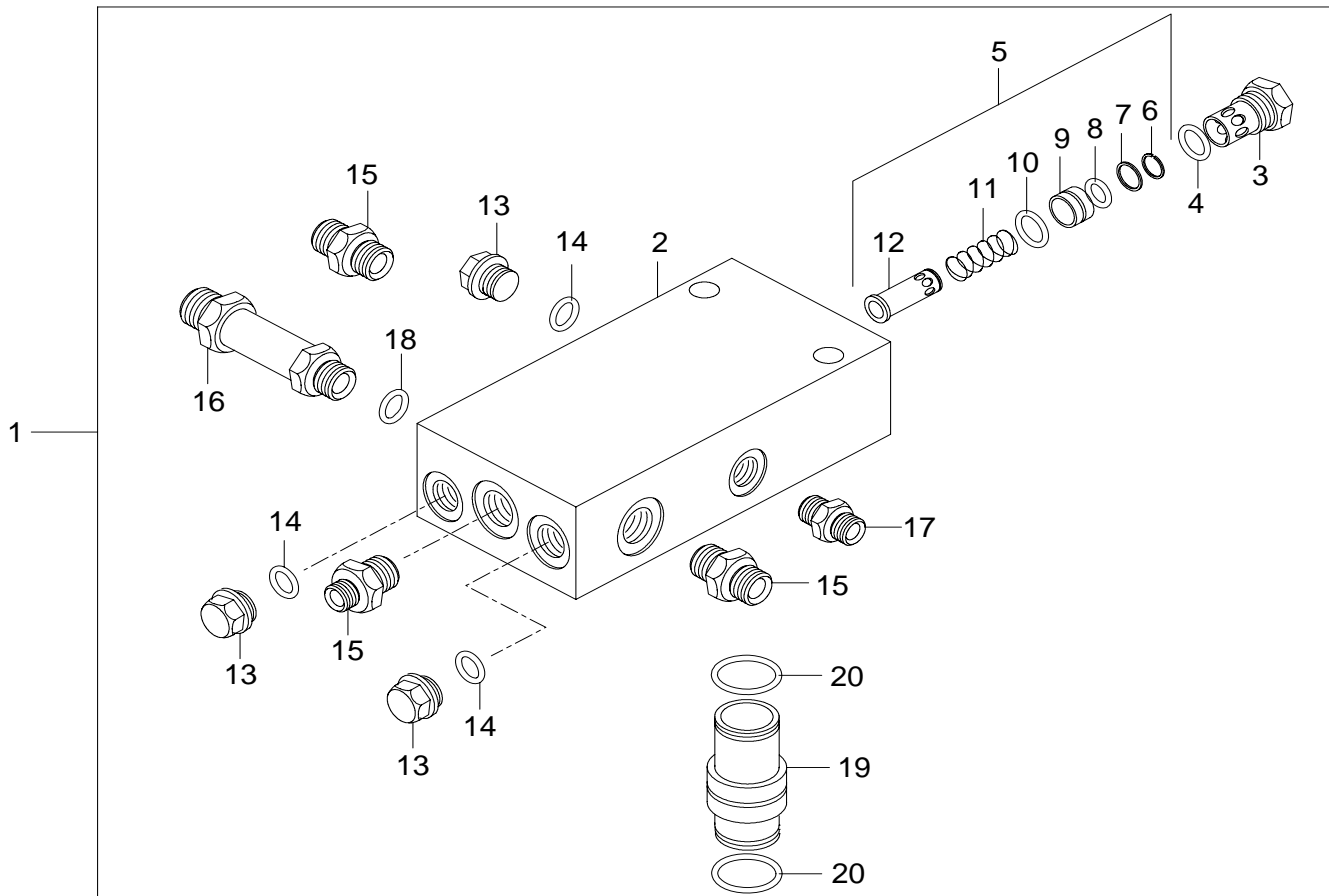
N91c, N91h, N101c,
N101h, N111c, N111h,
N111eh, N121h,
N121LS, N141h, N141LS

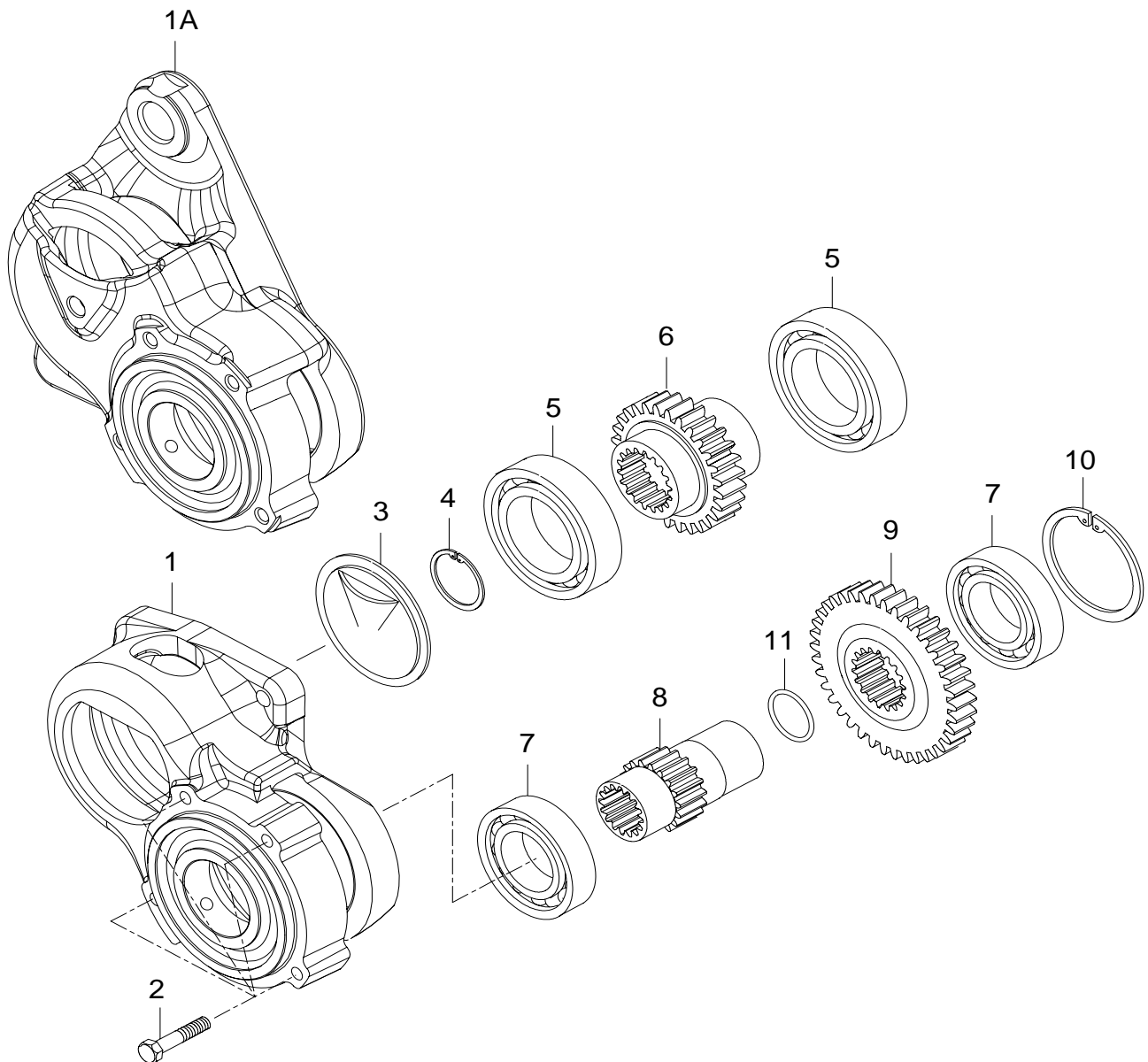
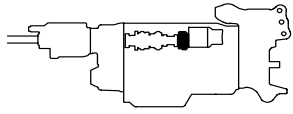




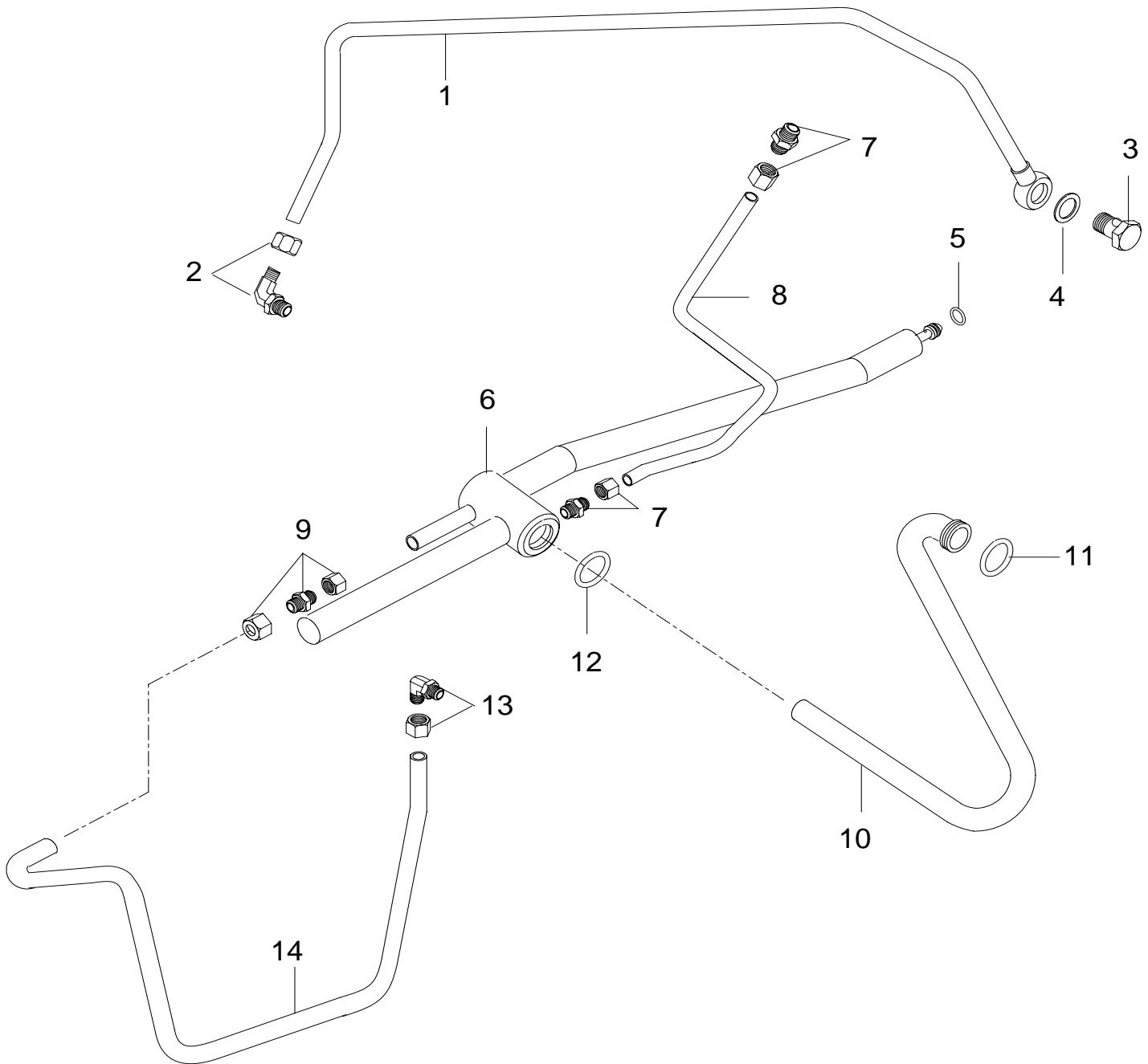




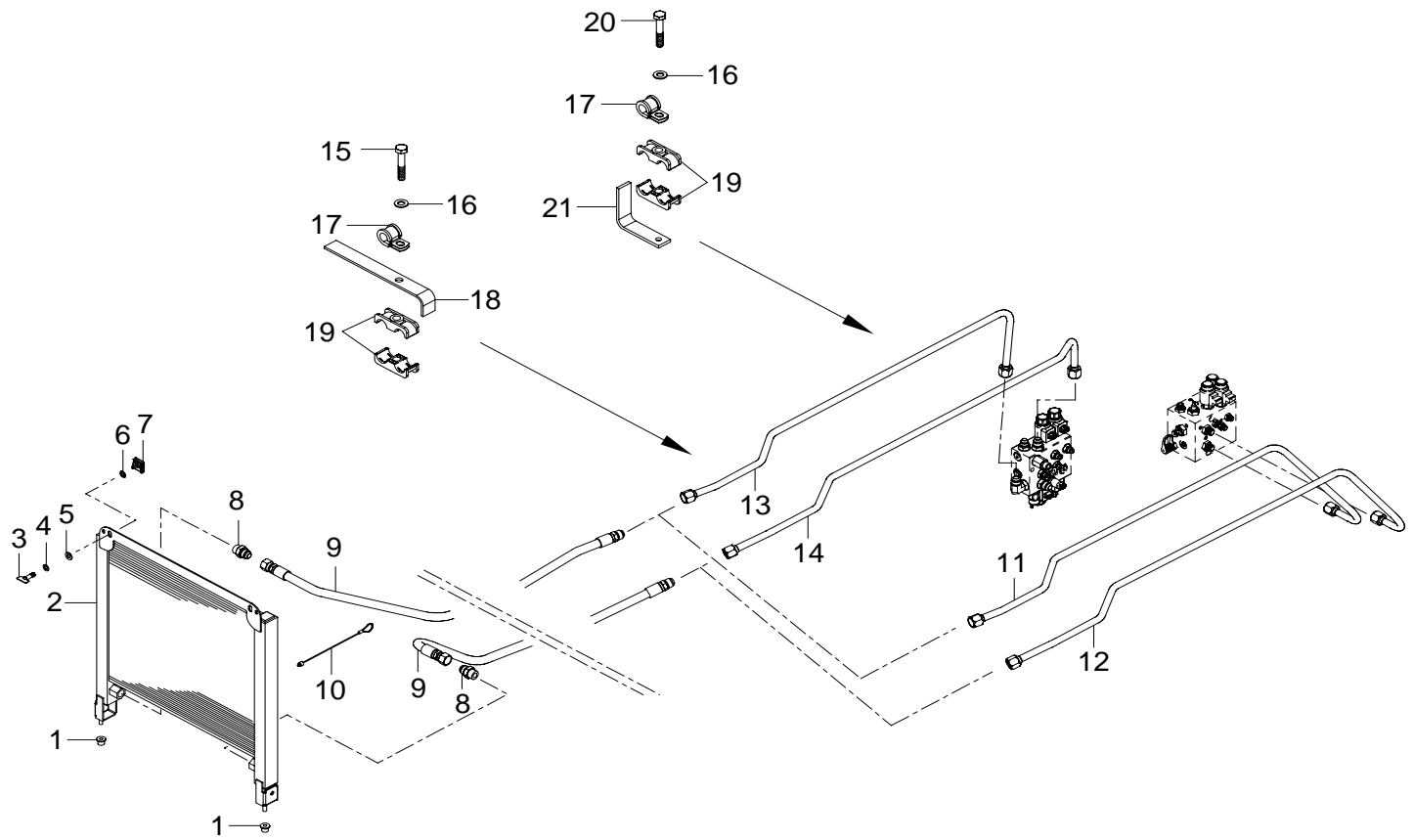


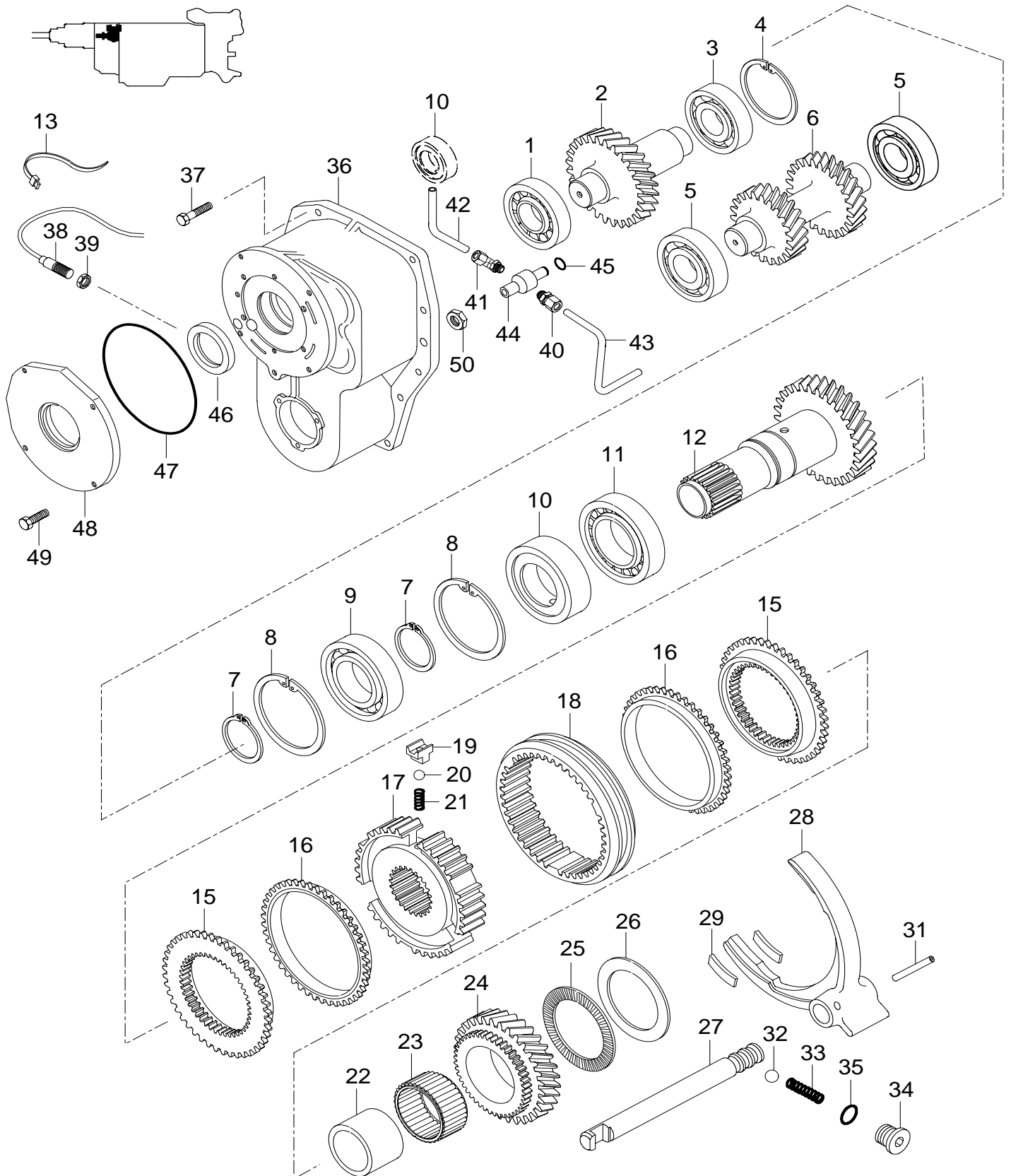


25.5.2007
N91c, N91h, N101c,
N101h, N111c, N111h,
N111eh, N121h,
N121LS, N141h, N141LS



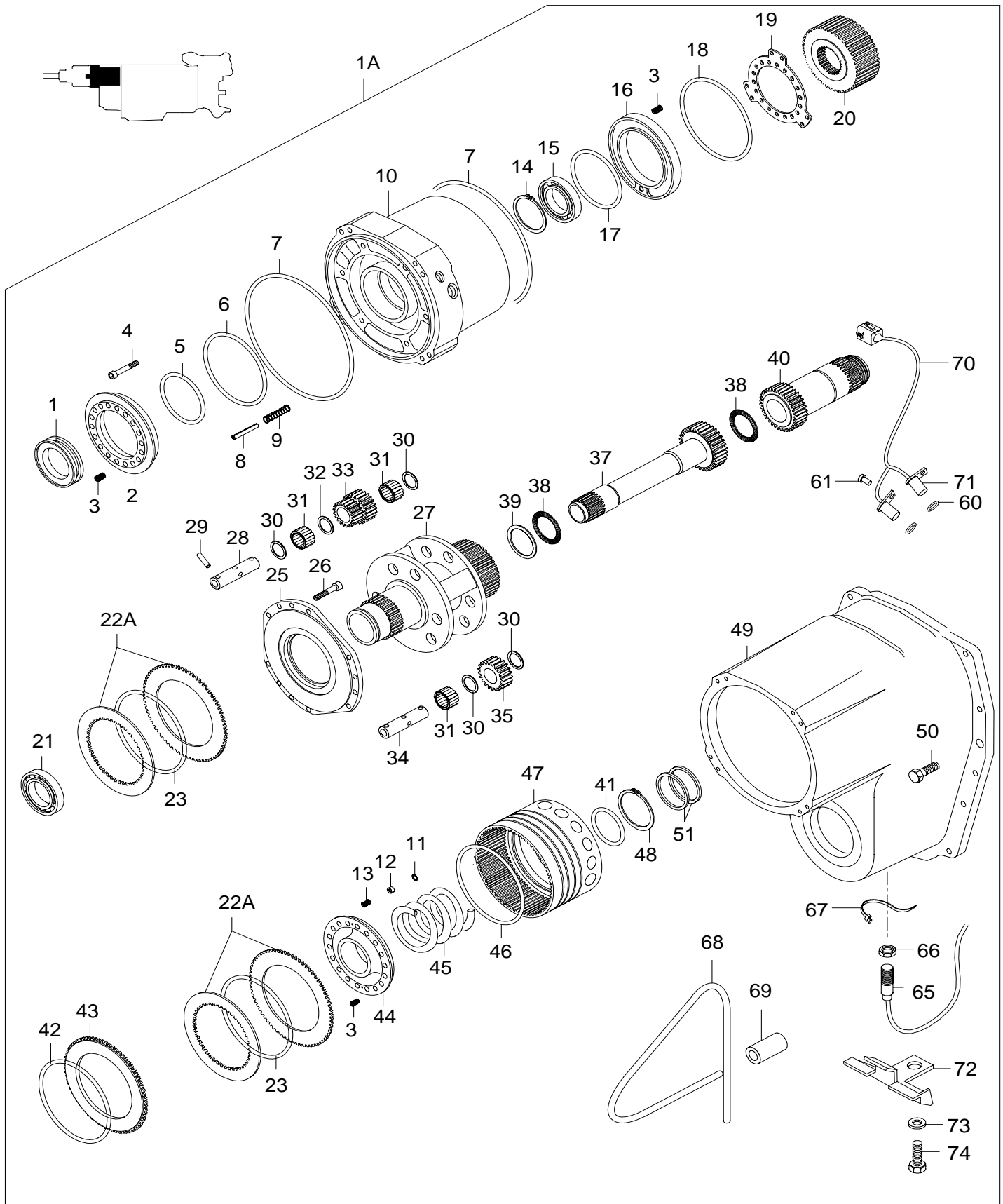
25.5.2007

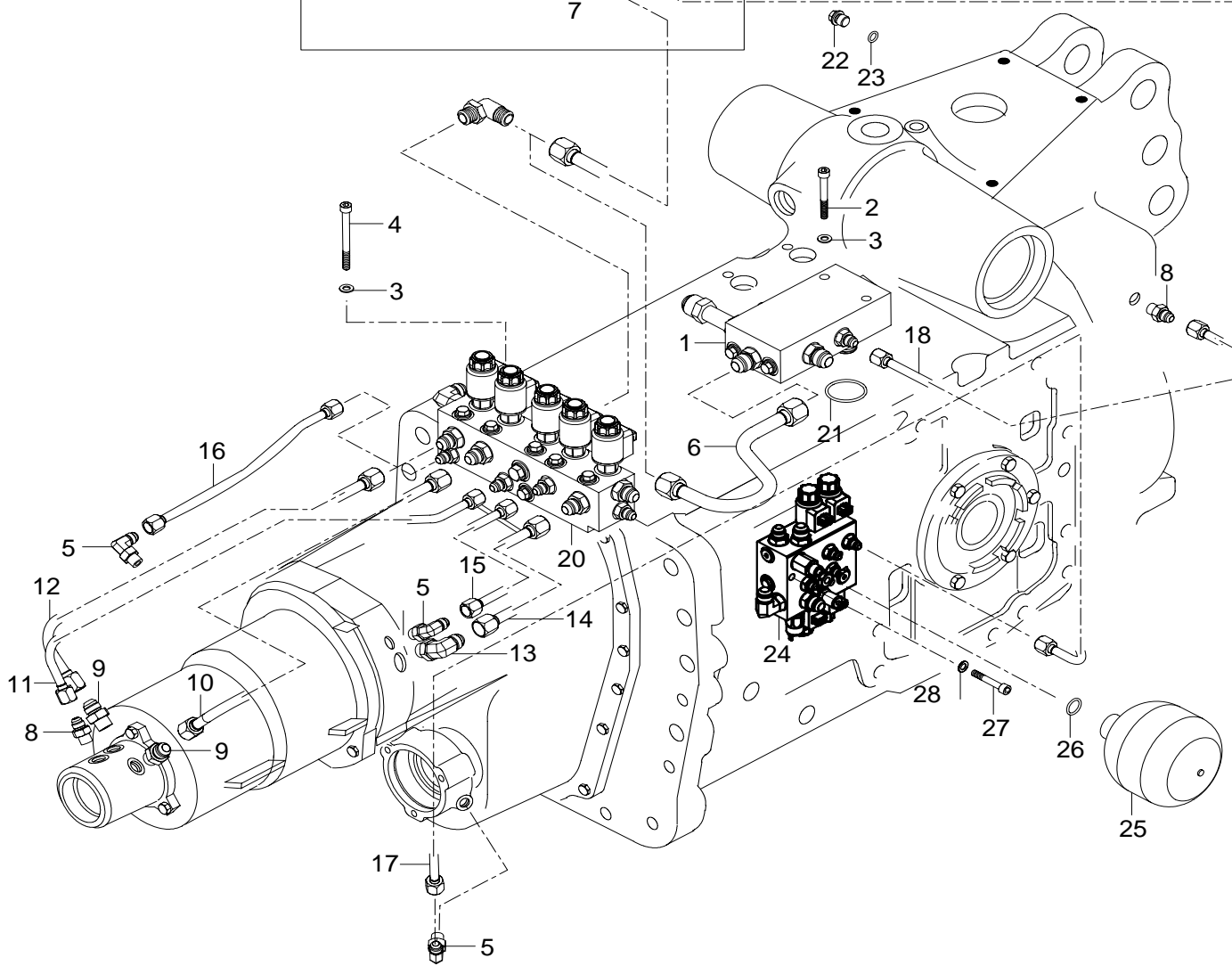
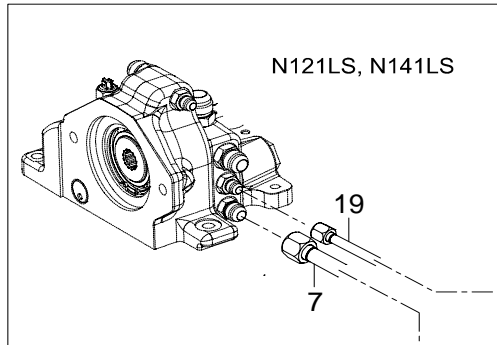
N91c, N91h, N101c,
N101h, N111c, N111h,
N111eh, N121h,
N121LS, N141h, N141LS

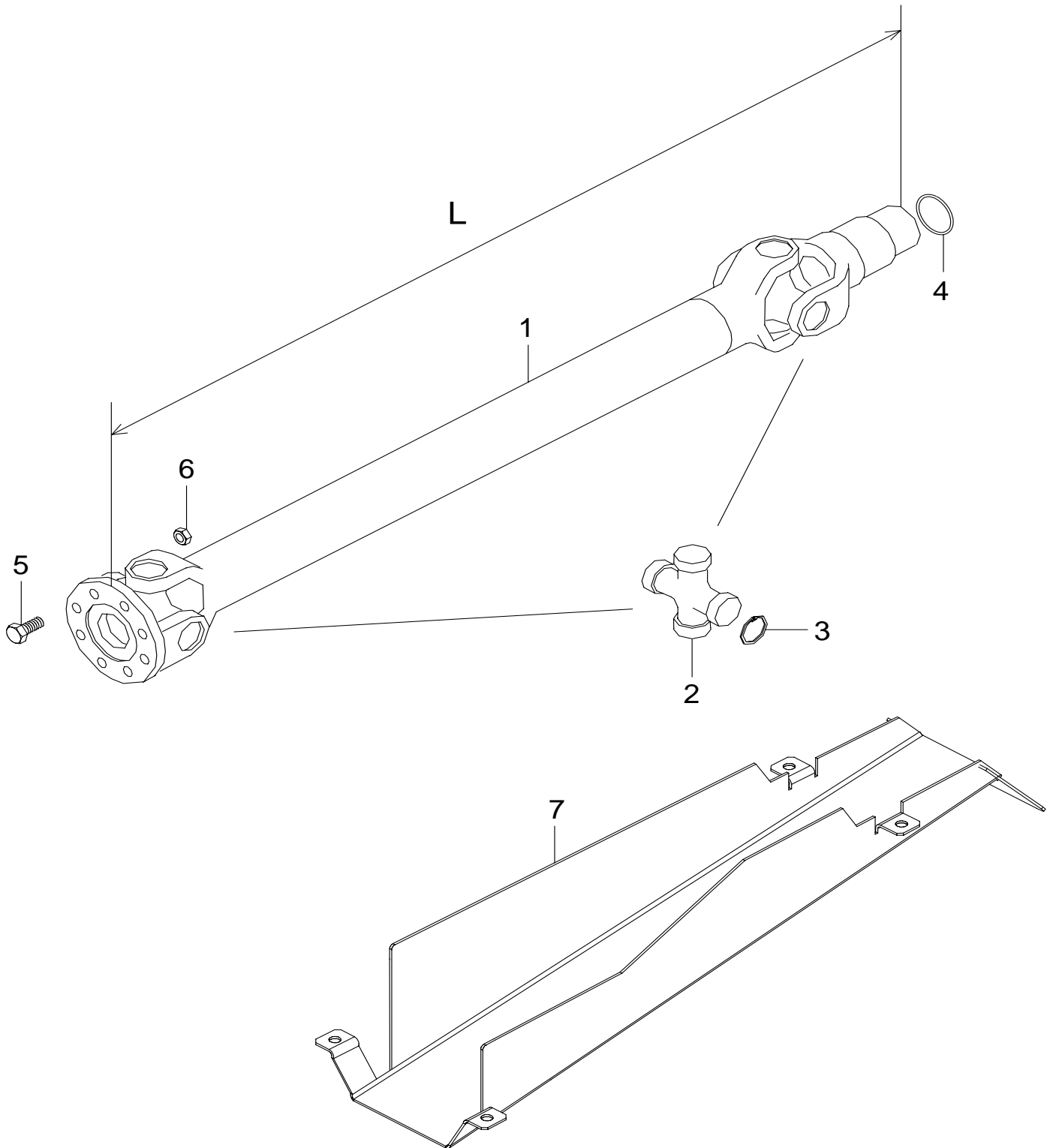


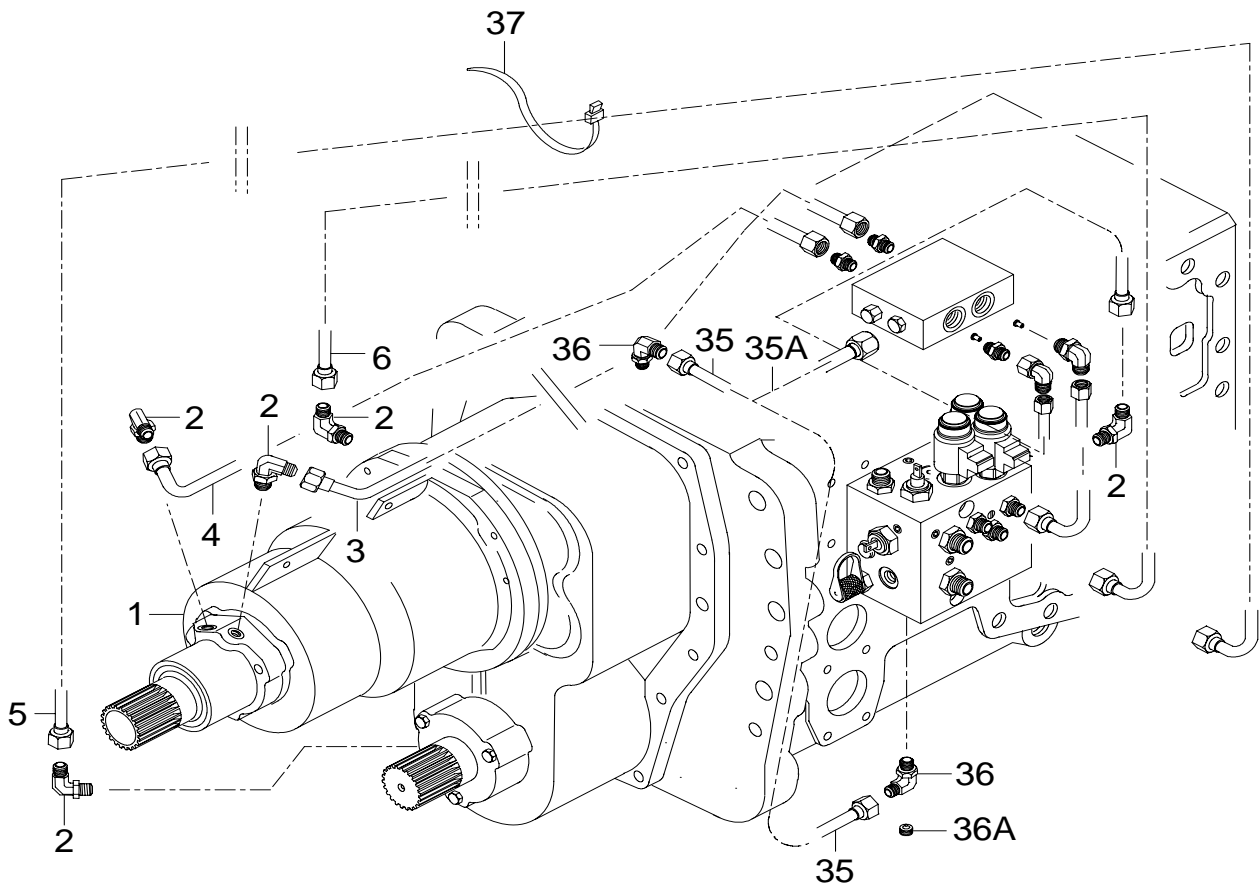
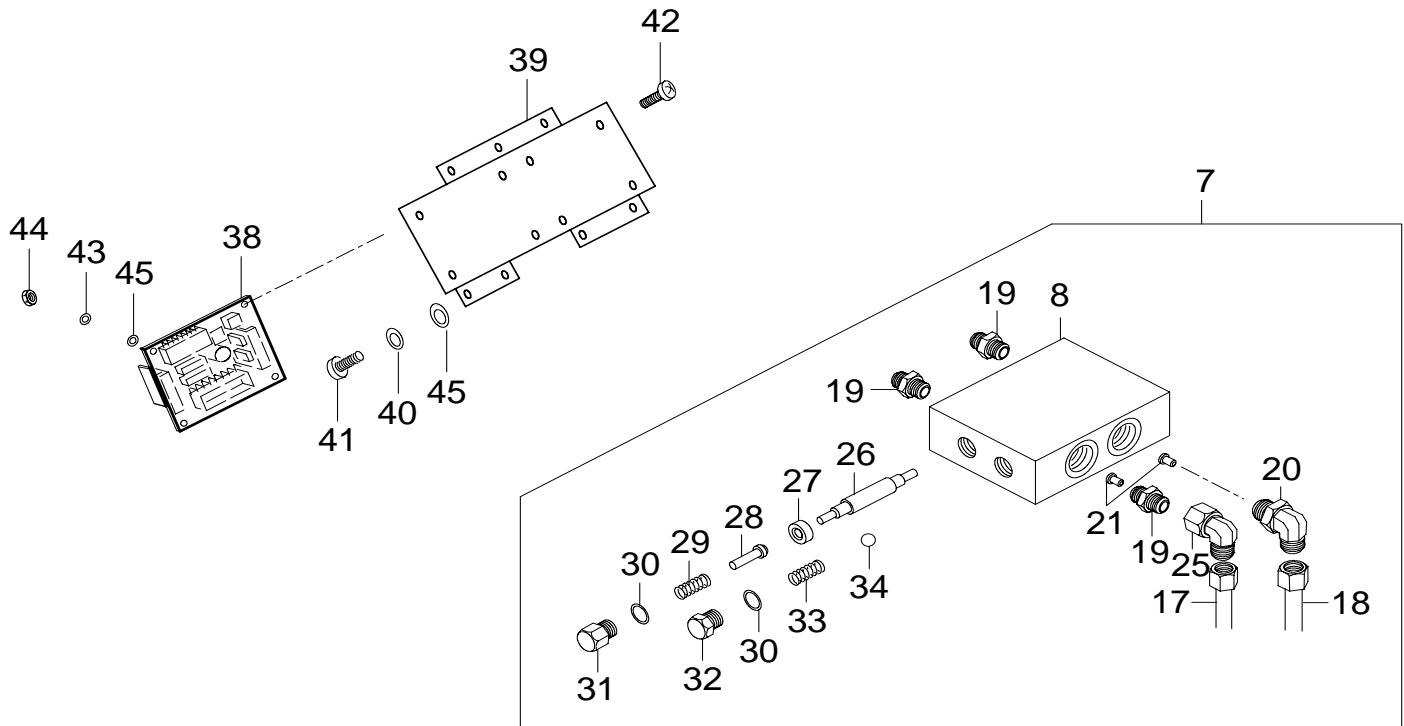
25.5.2007

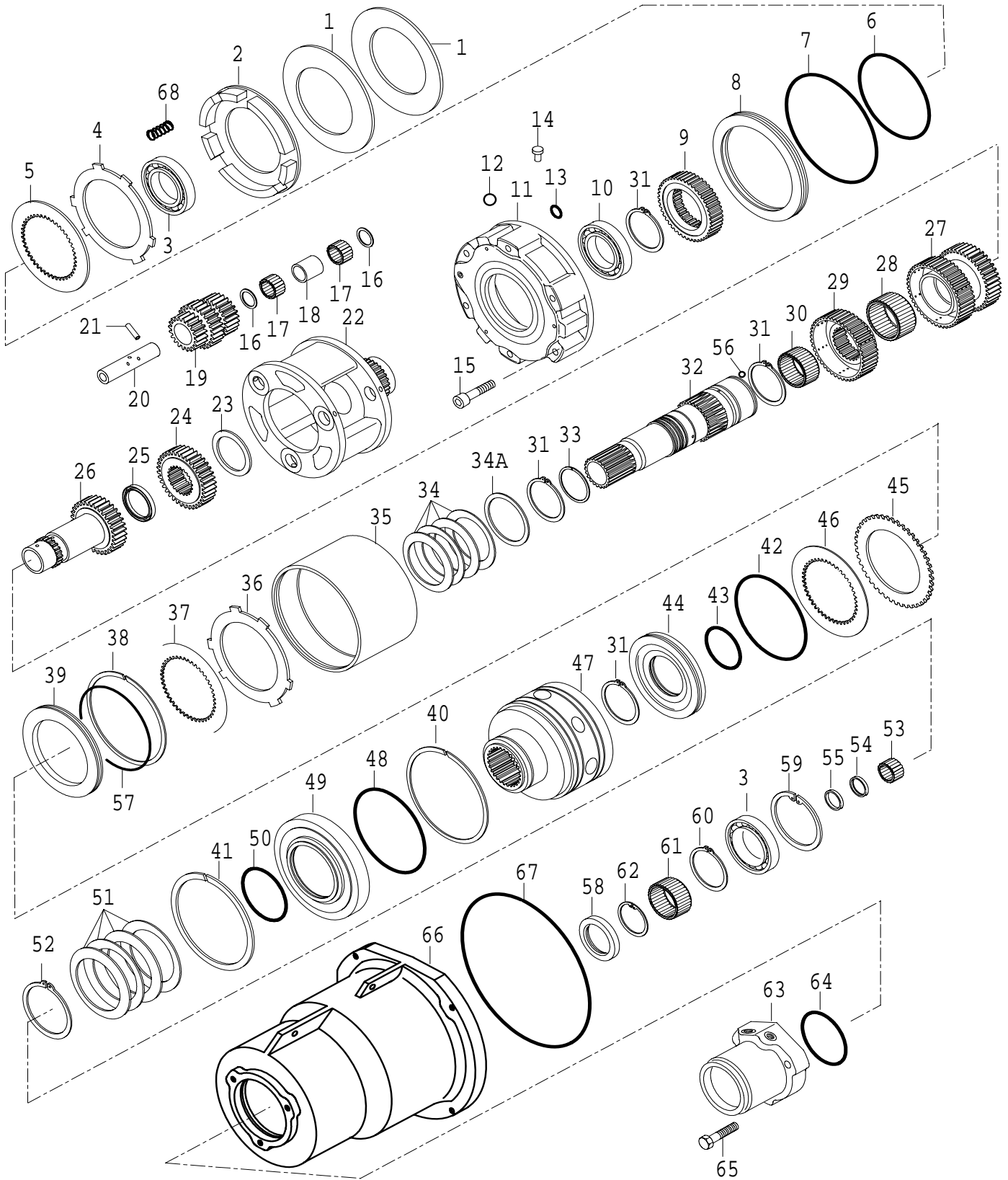
N91h, N101h, N111h,
N111eh, N121h,
N121LS, N141h, N141LS



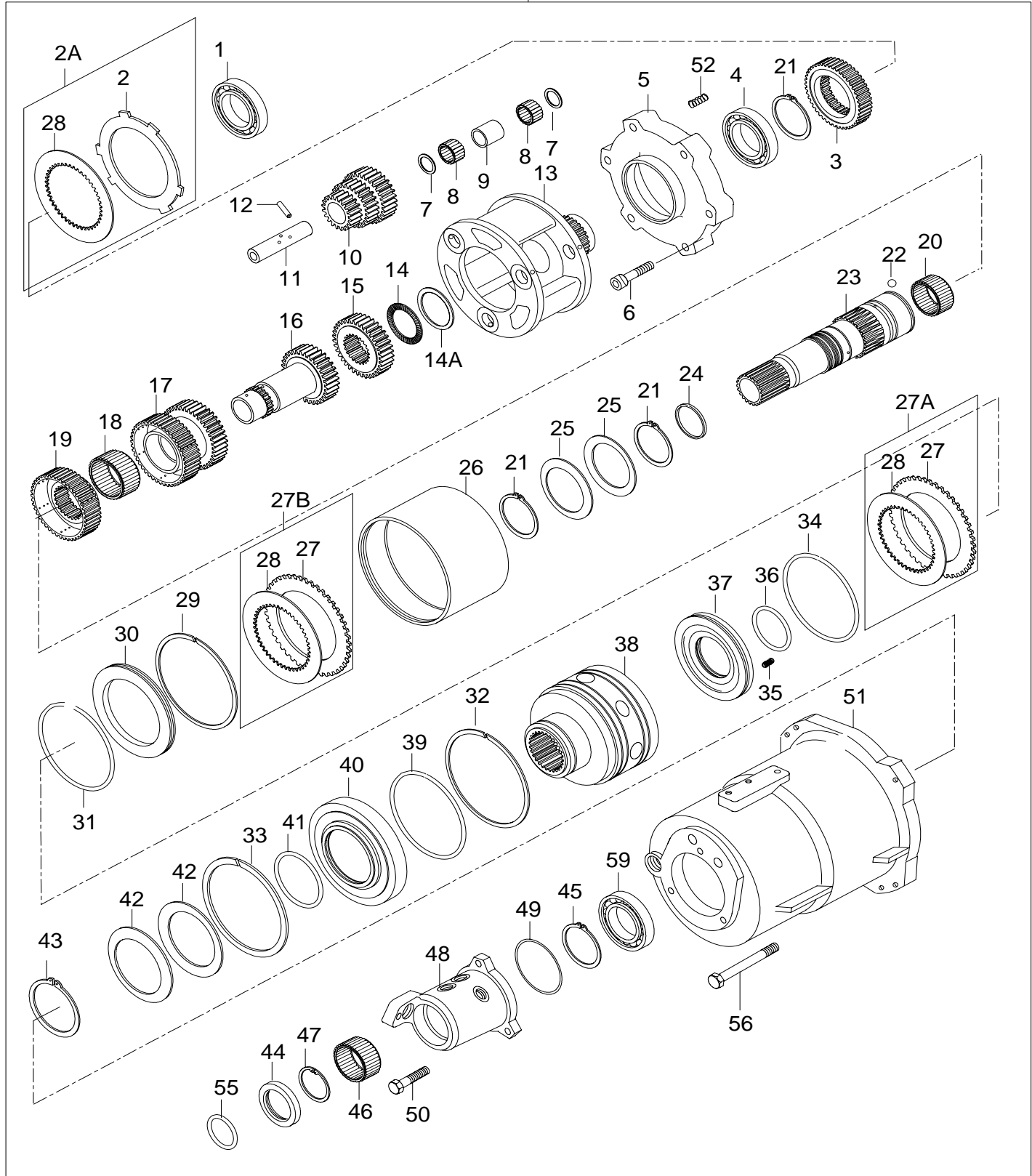




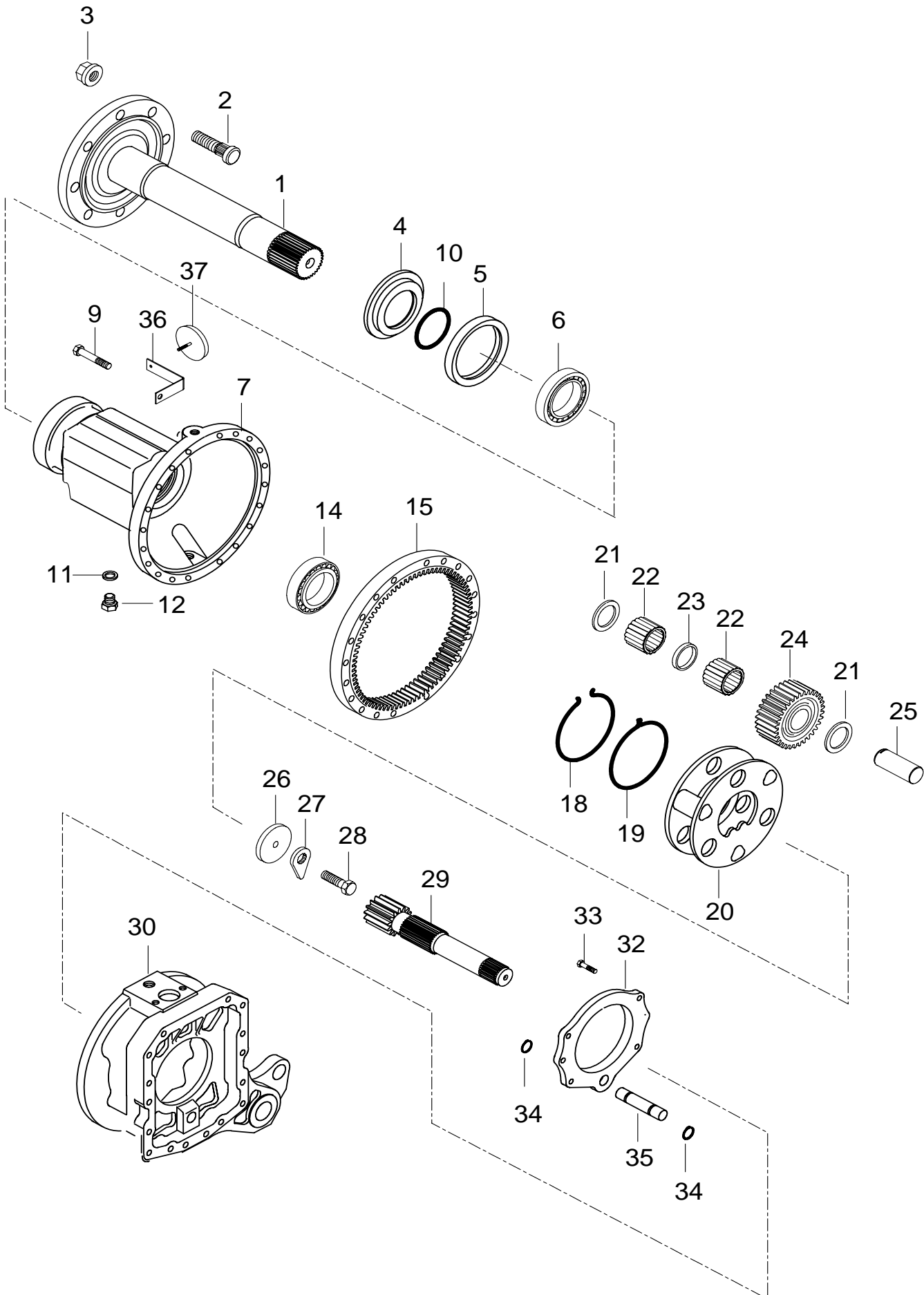




1A

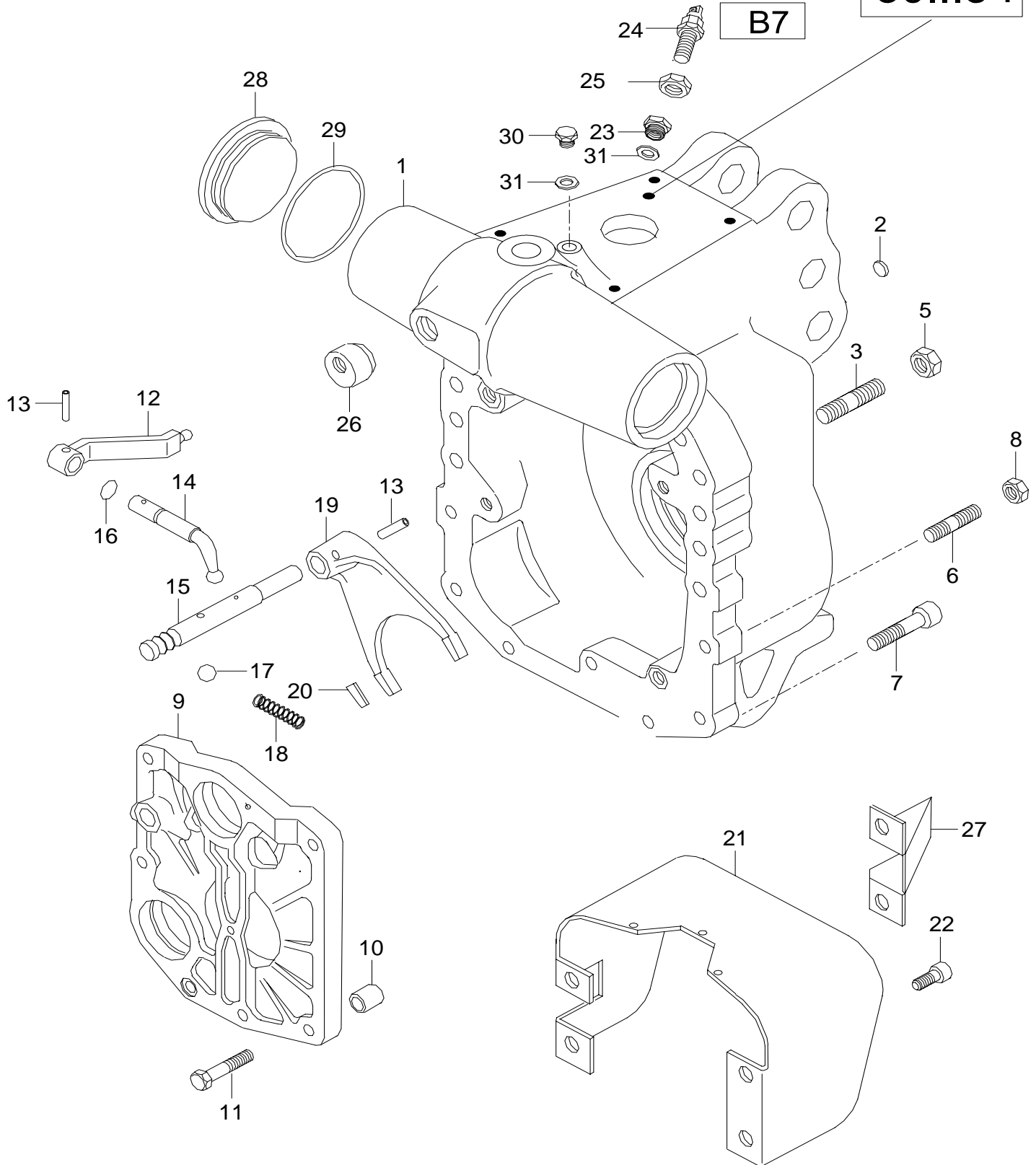


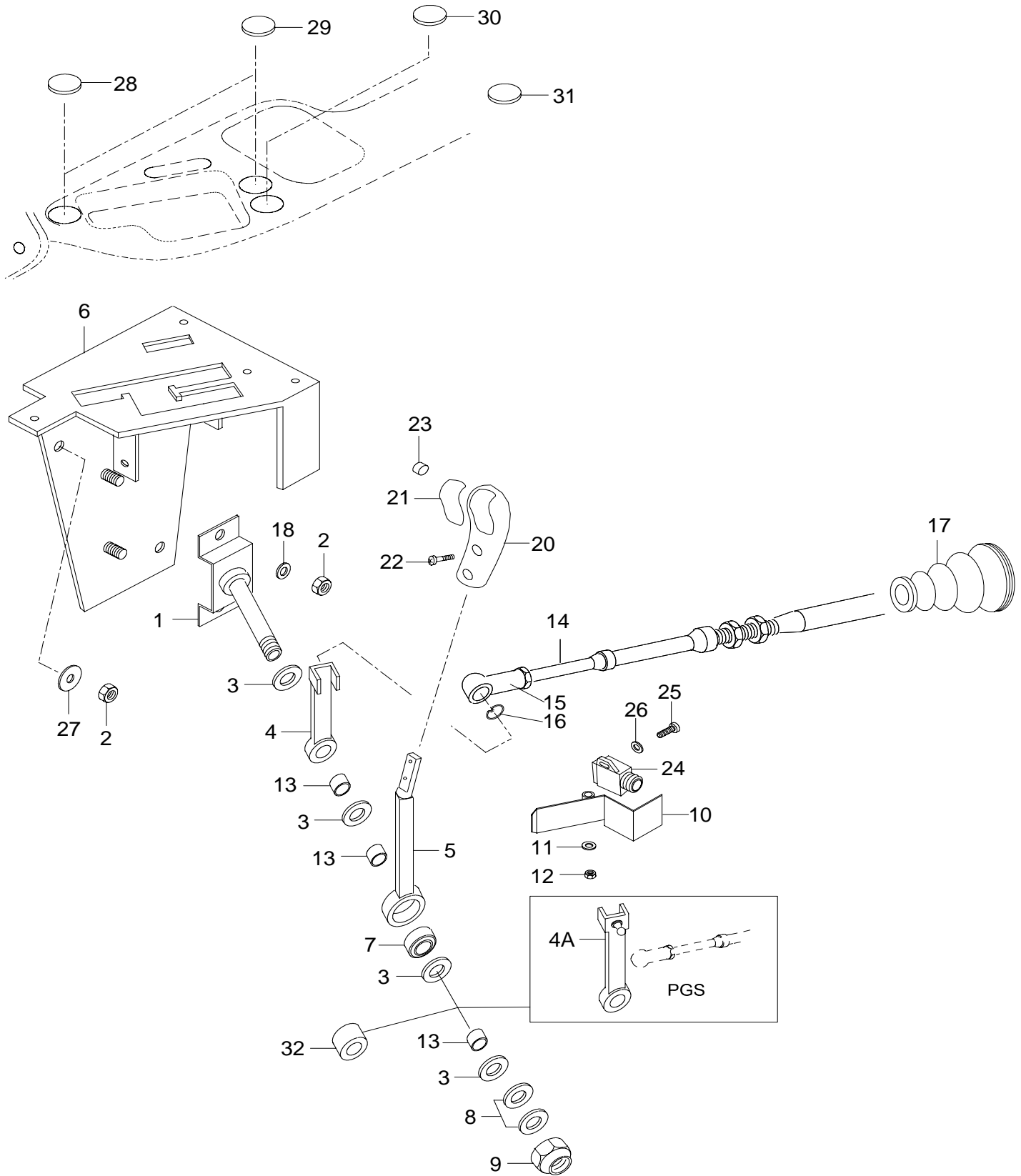
25.5.2007

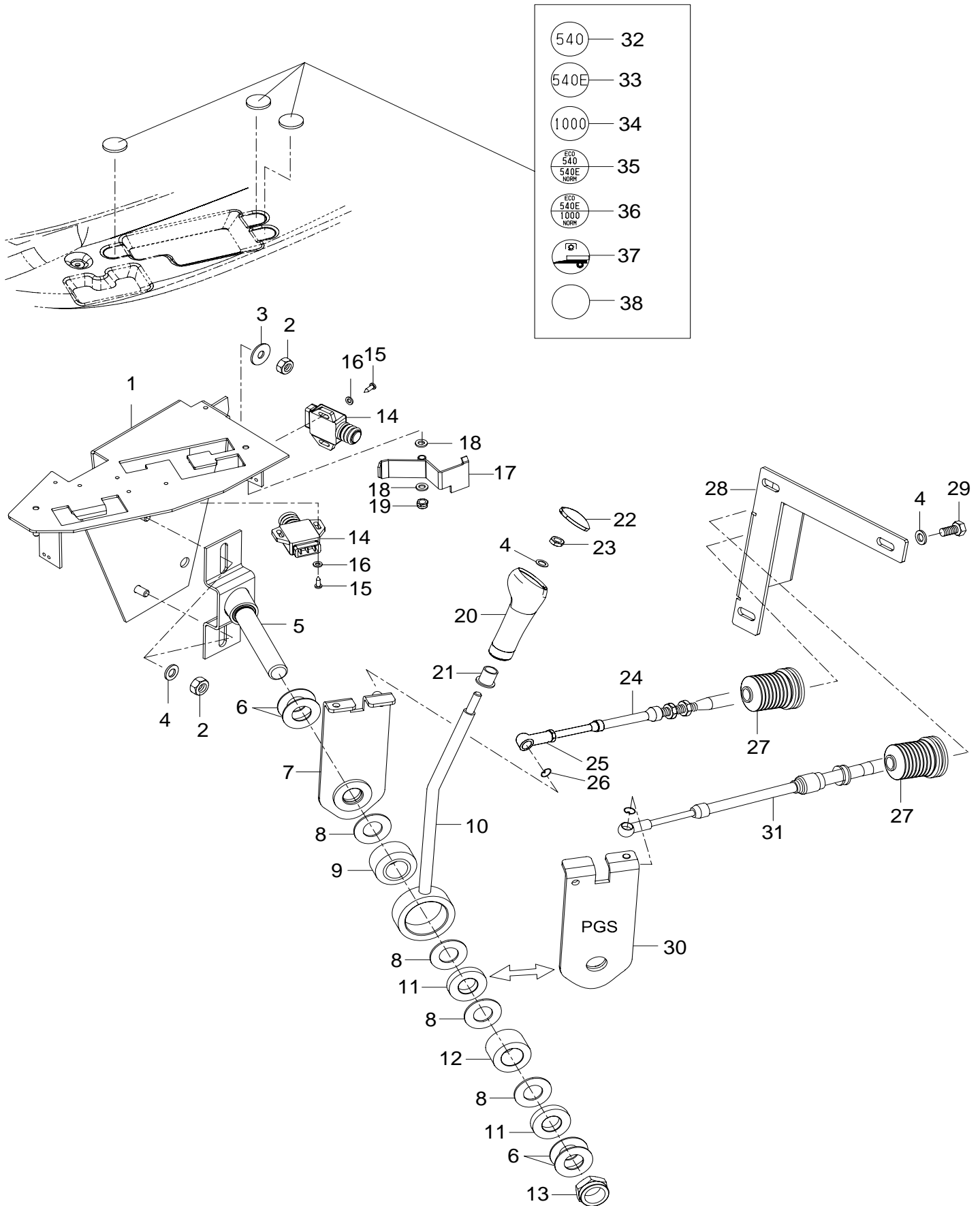
N91c, N91h, N101c,
N101h, N111c, N111h,
N111eh, N121h,
N121LS, N141h, N141LS

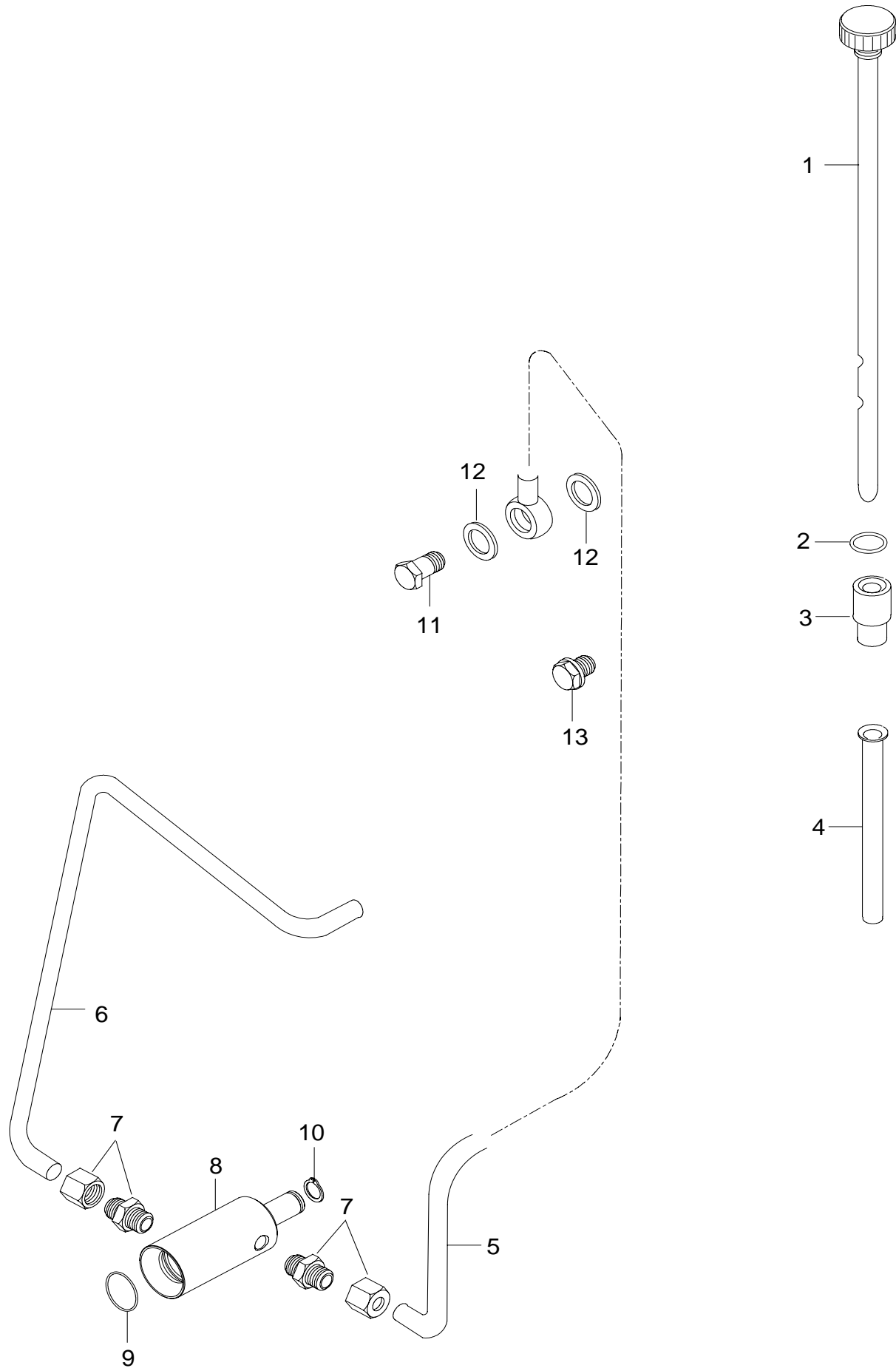
50...54

B7

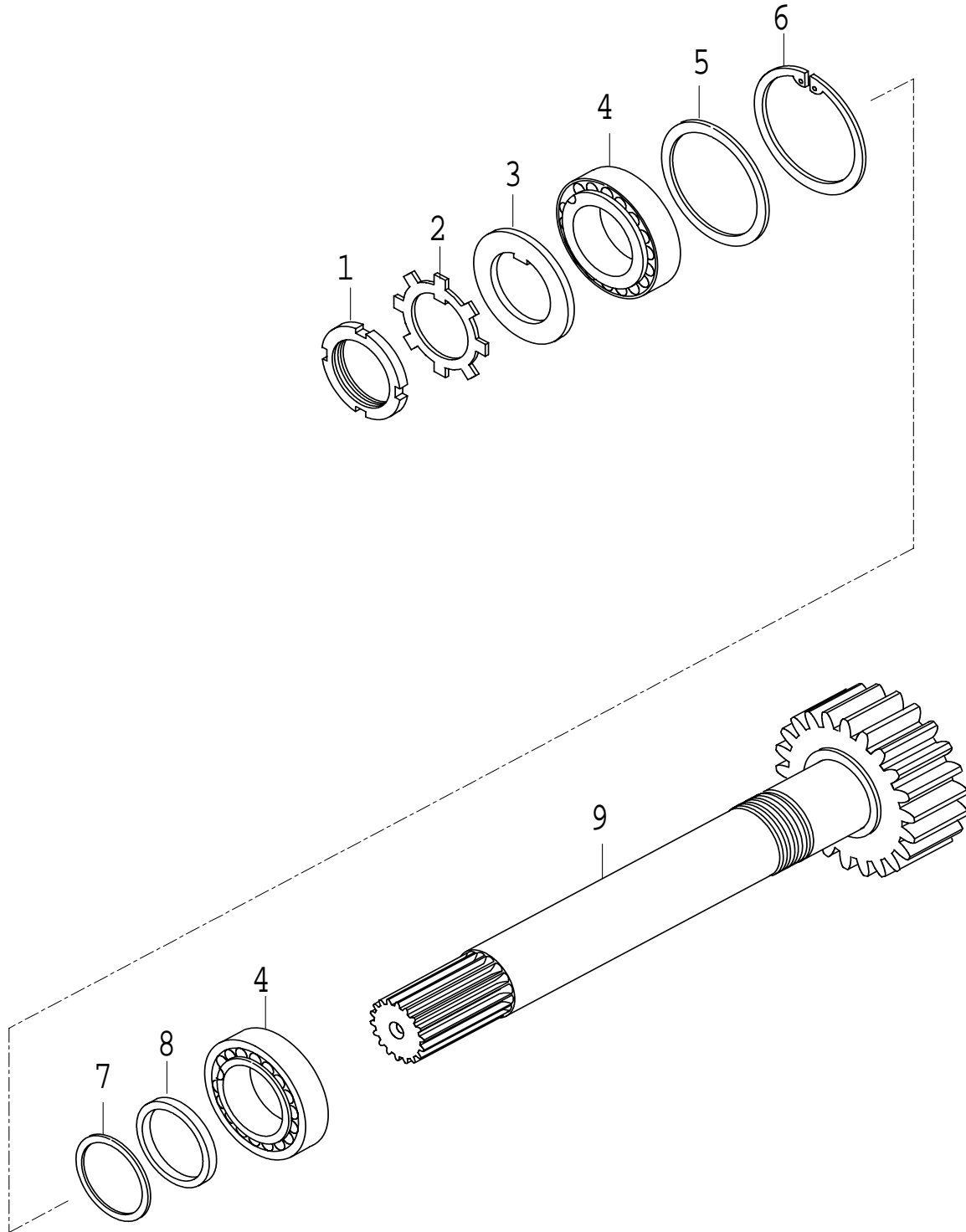
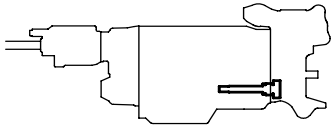






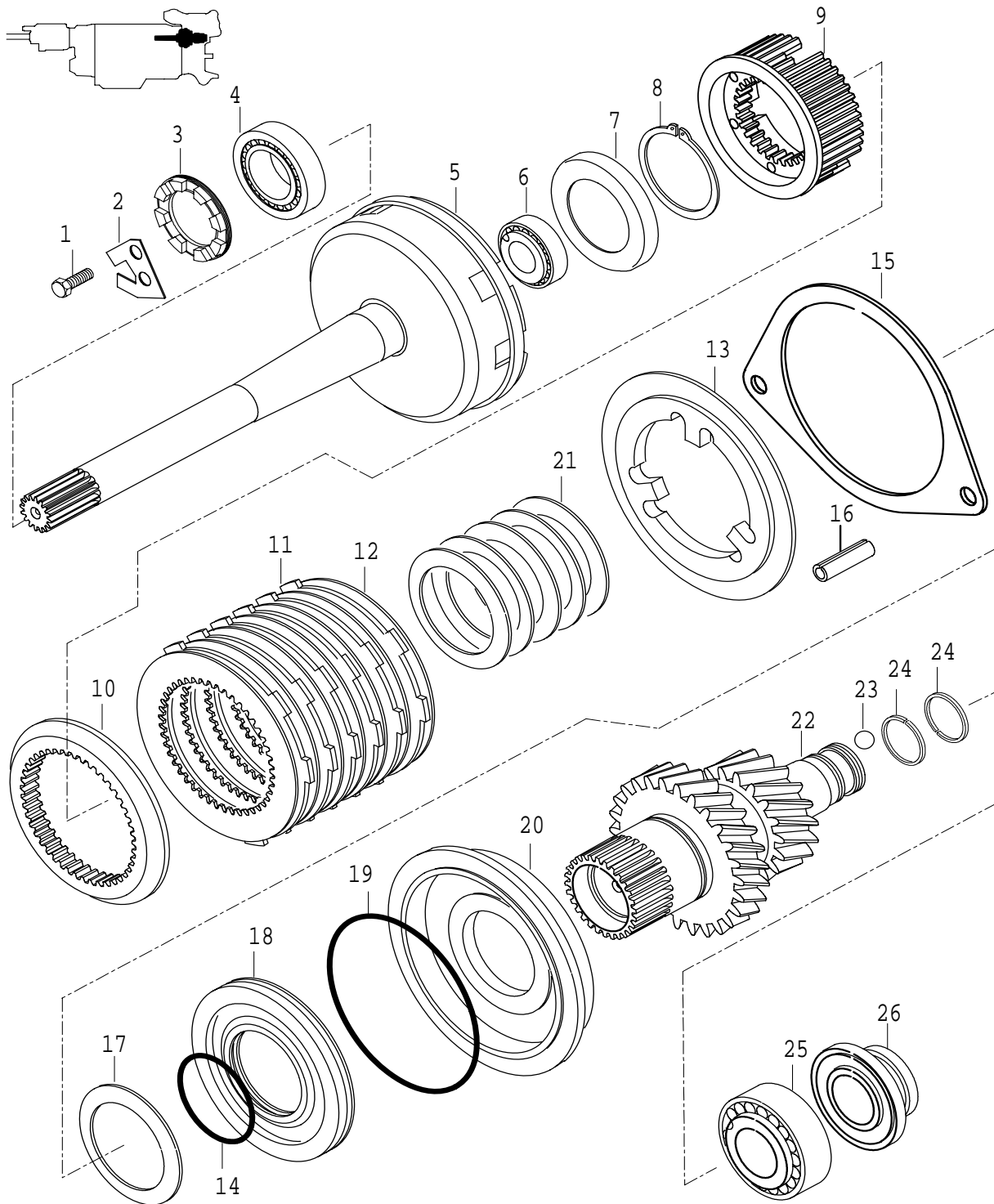


25.5.2007
N91c, N91h, N101c,
N101h, N111c, N111h,
N111eh, N121h,
N121LS, N141h, N141LS



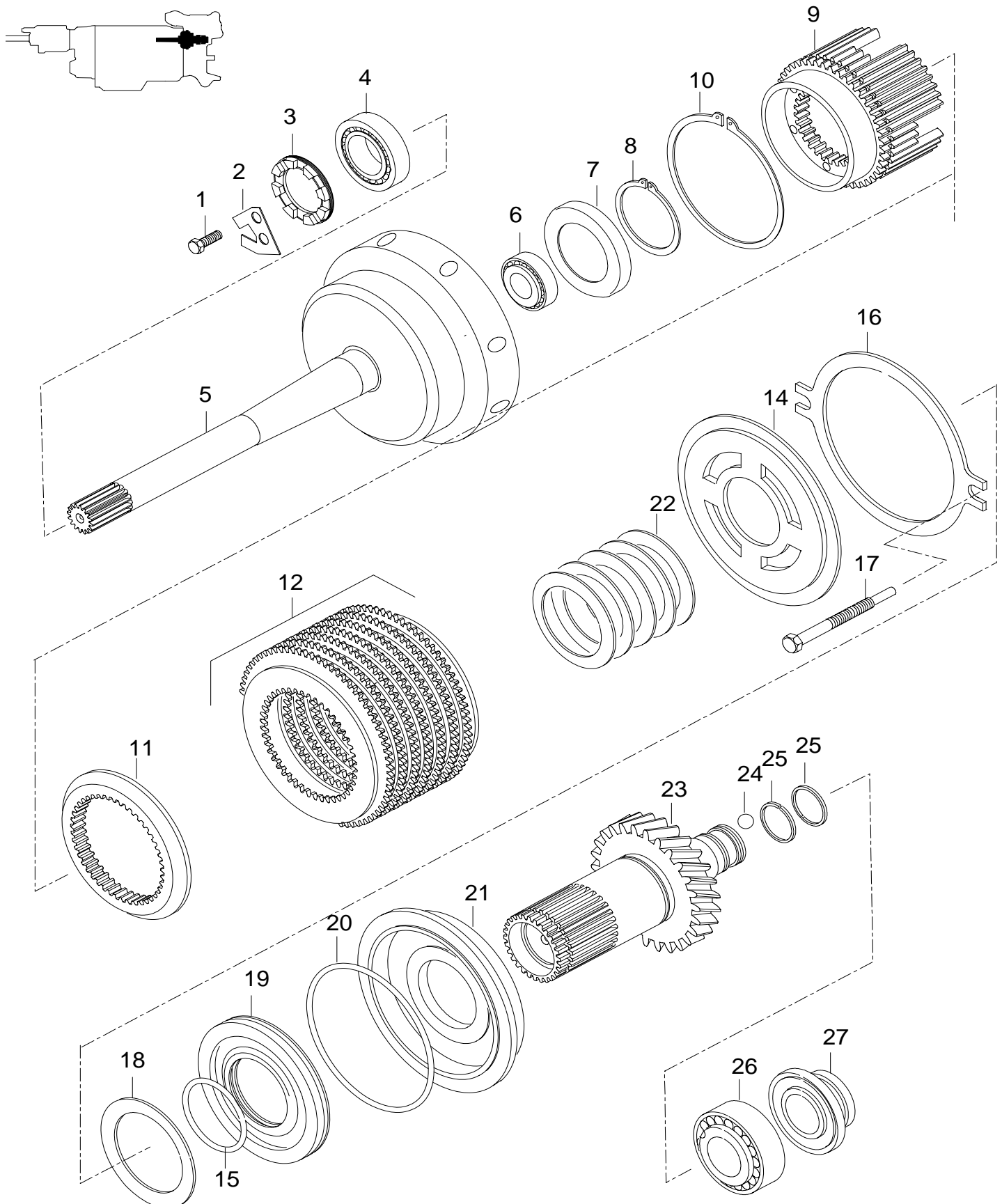
25.5.2007

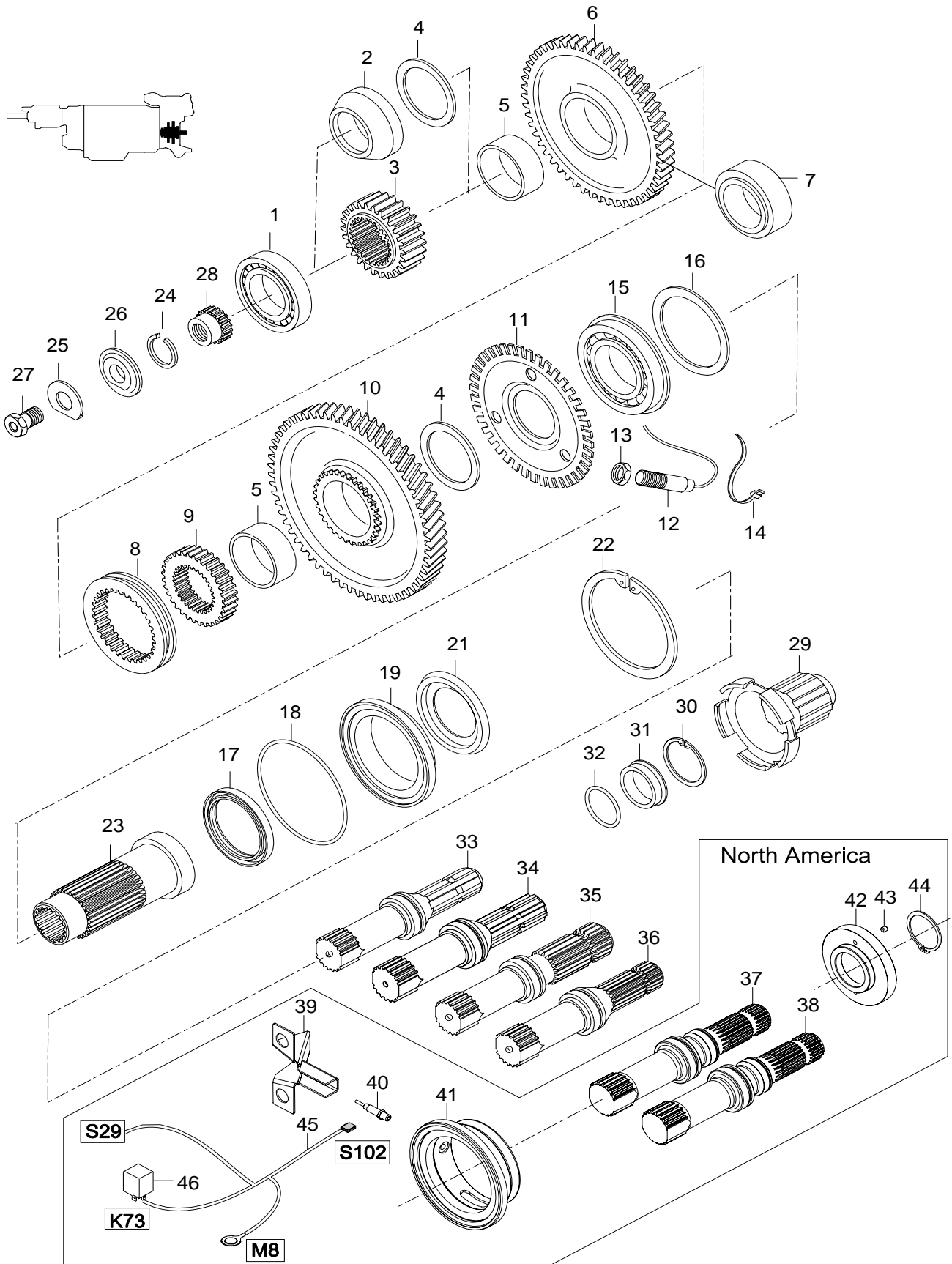
N91c, N91h, N101c,
N101h, N111c, N111h,
N111eh, N121h,
N121LS, N141h, N141LS

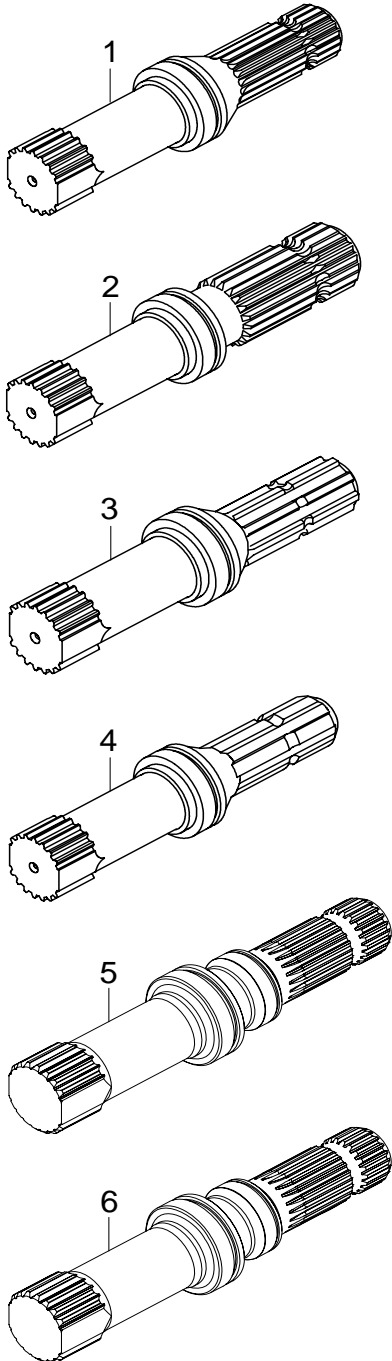


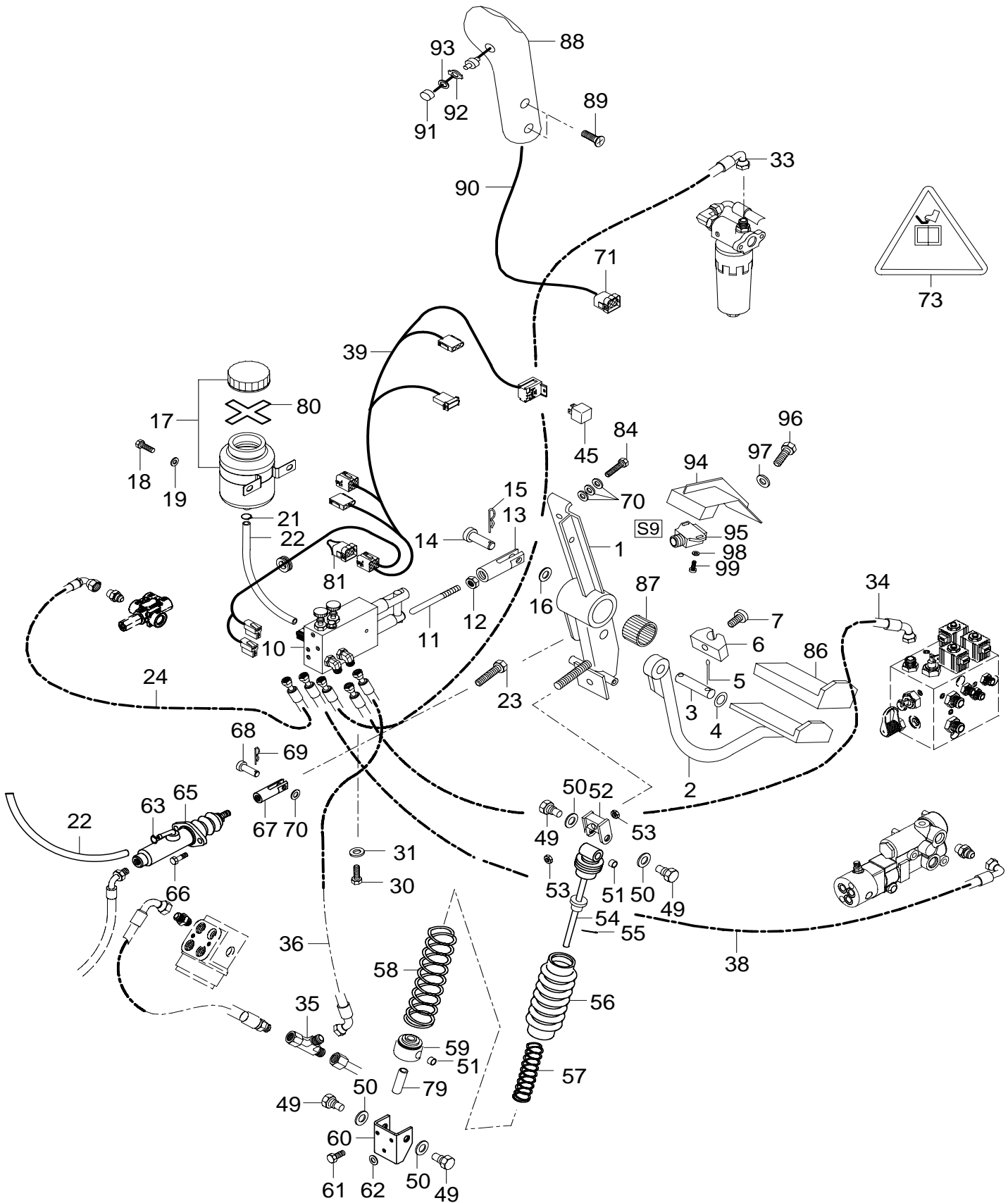
25.5.2007

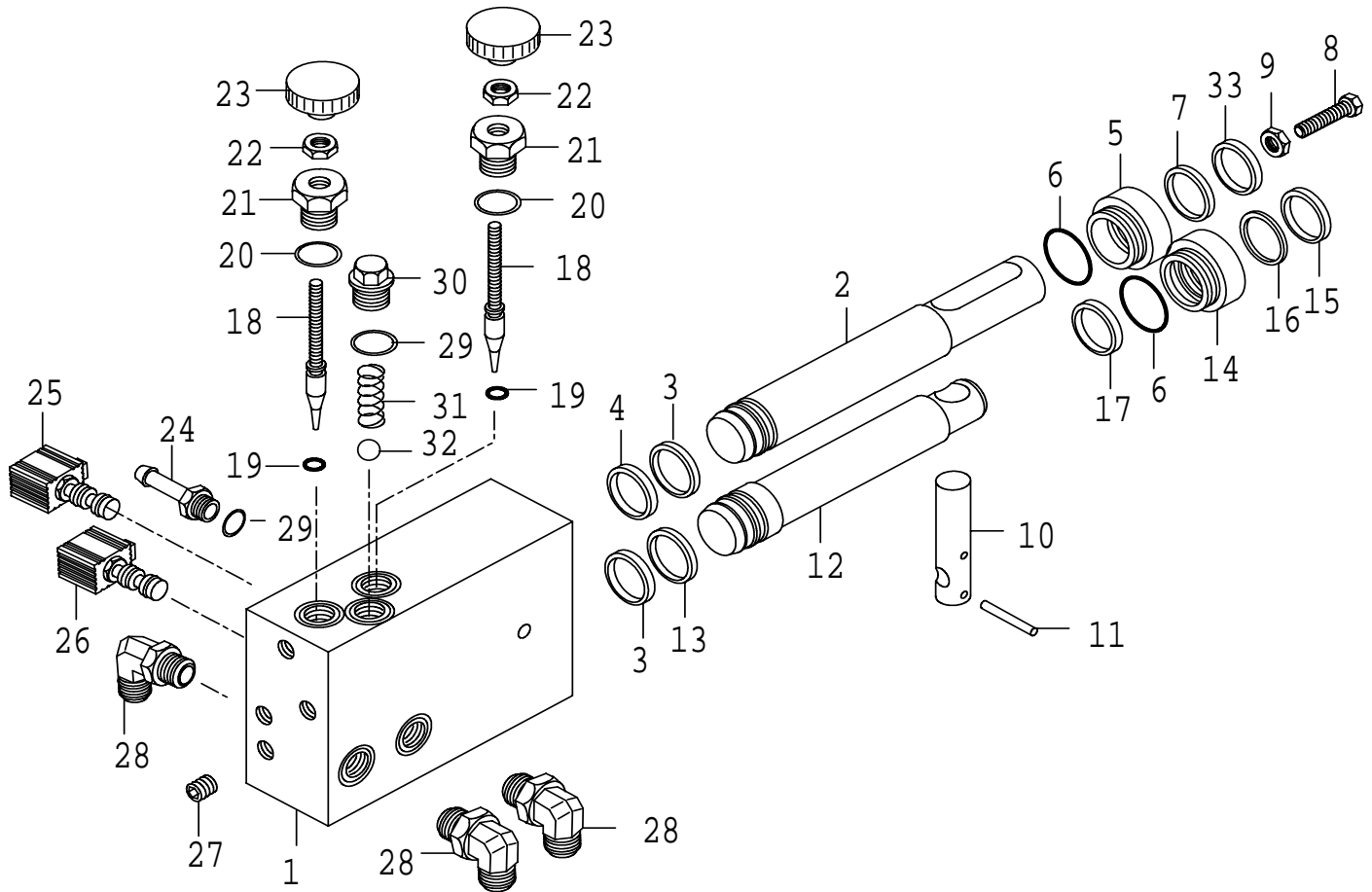
N91c, N91h, N101c,
N101h, N111c, N111h,
N111eh, N121h,
N121LS, N141h, N141LS











Moot. johdinsarja
Wiring set, engine

